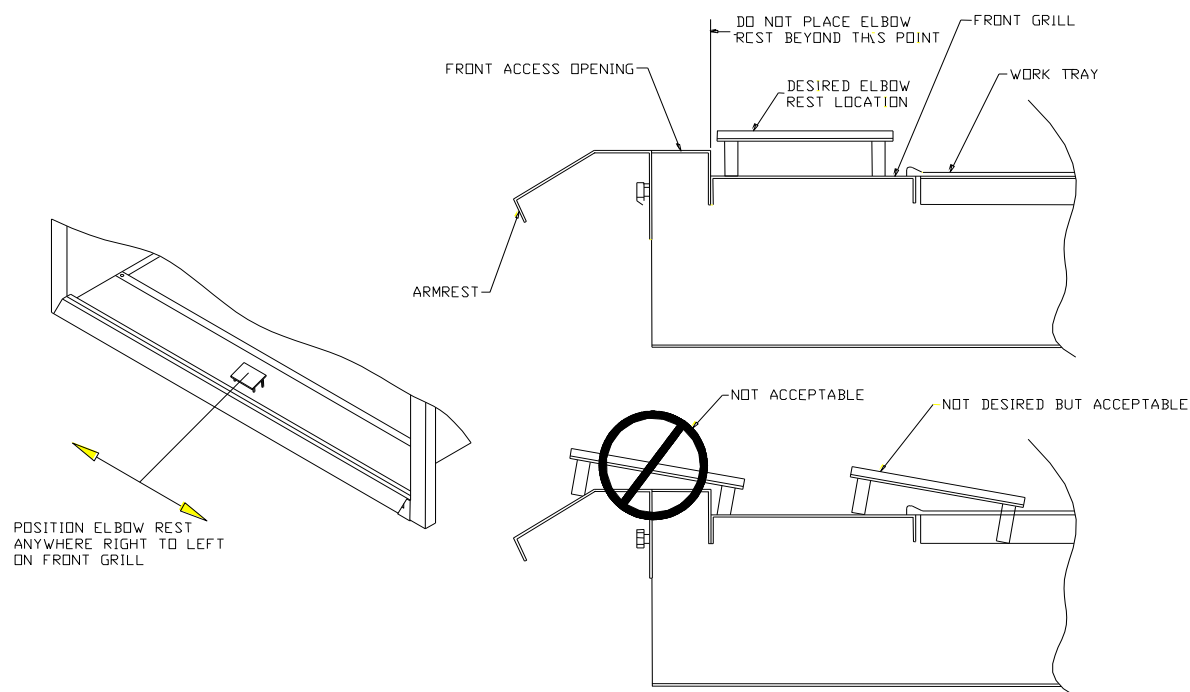




Technical Bulletin: **ACCESSORY INFORMATION / RETROFIT**

**NU-978-001/002 Biosafety Cabinet
Elbow Rest
Installation Instructions**

The enclosed Biosafety Cabinet (BSC) elbow rest is made from stainless steel, aluminum, and padded with 1/4 inch (6mm) silicon foam. The elbow rest is 5 inches (127mm) or 10 inches (254mm) long by 3 inches (76mm) wide by 1-7/8 inches (48mm) high. The elbow rest was specifically designed and tested for use on NuAire BSC's. The elbow rest is intended to be placed on the front grill as illustrated below. The legs have a centering pin for locating and locking into position on the front grill.



The BSC elbow rest is autoclavable or can be disinfected with a decontaminant, such as alcohol. **DO NOT USE CHLORINATED OR HALOGEN MATERIALS AS THEY MAY DAMAGE THE STAINLESS STEEL.**

Any questions about use or care of the BSC elbow rest should be direct to NuAire Technical Service Department @ 1-800-328-3352.