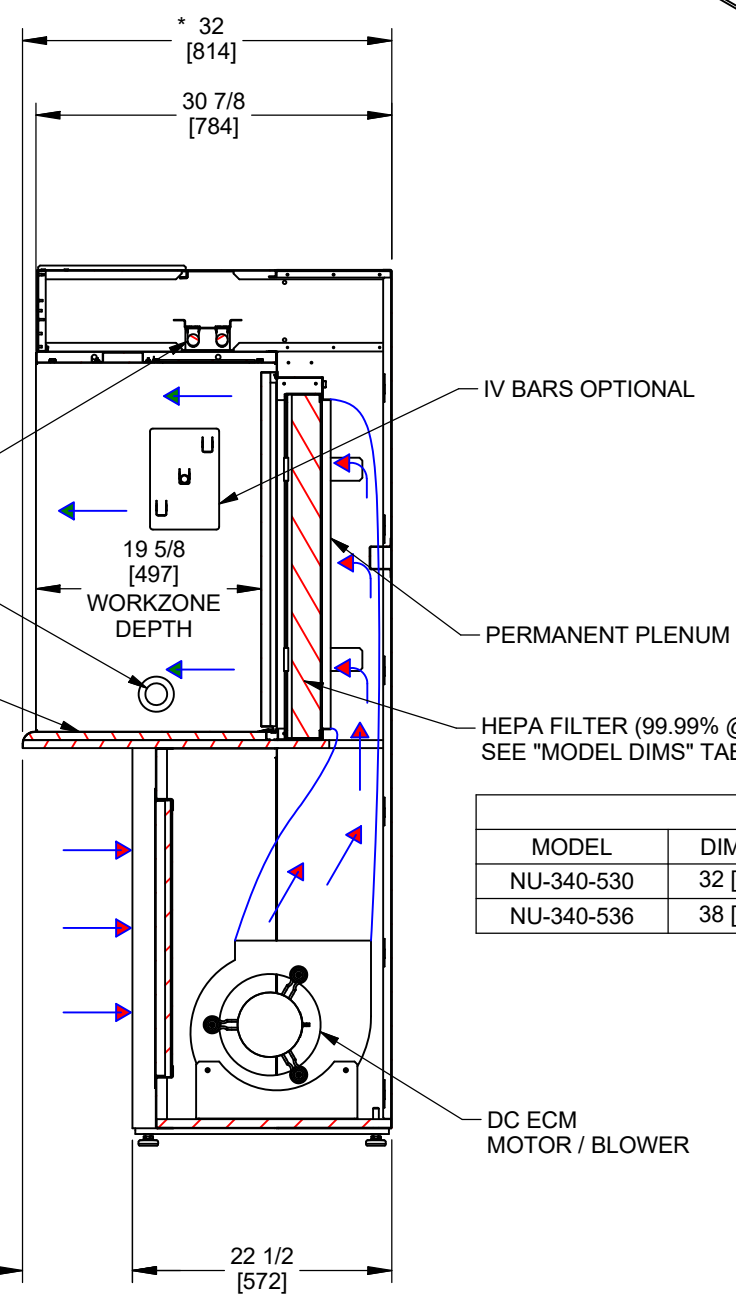
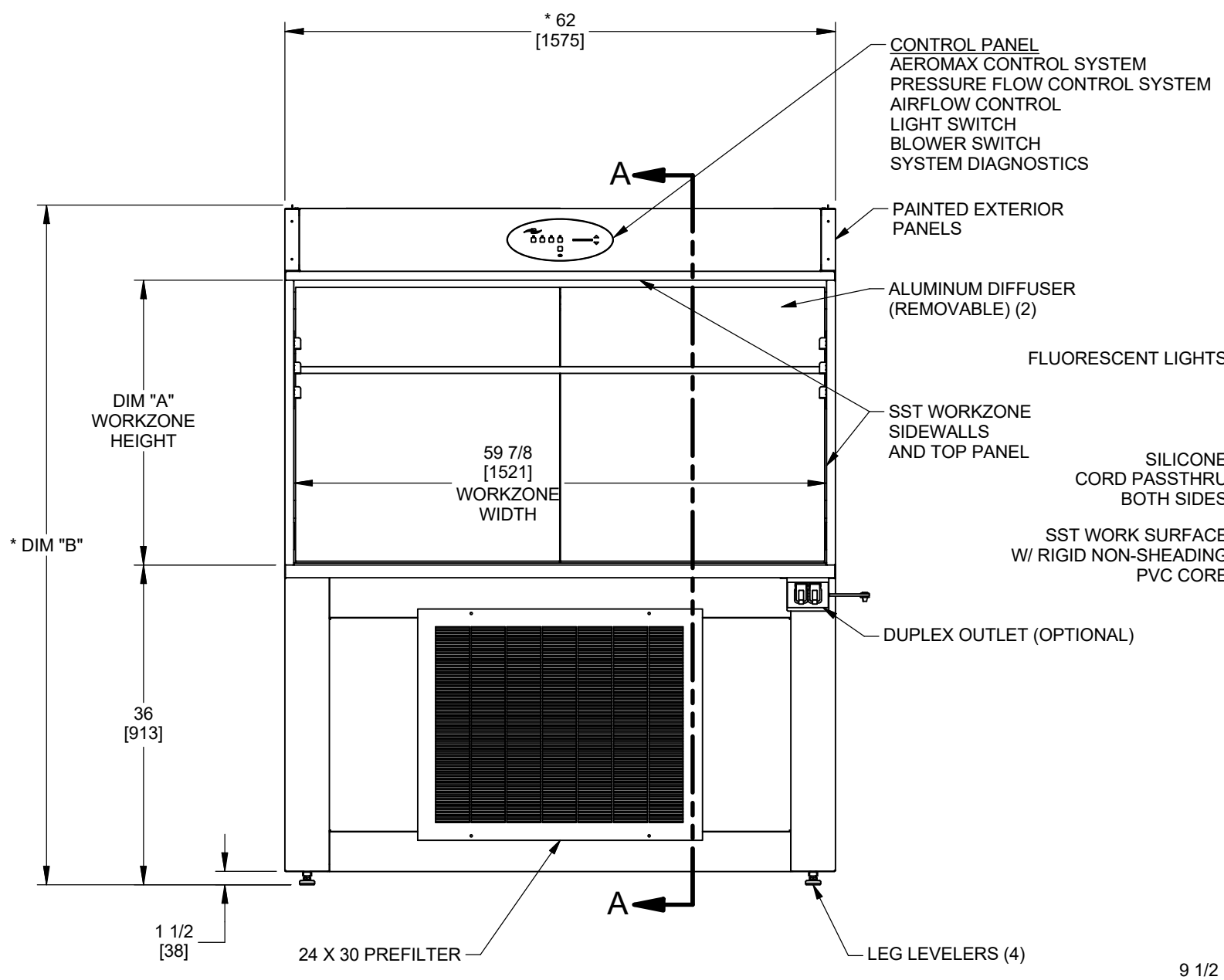
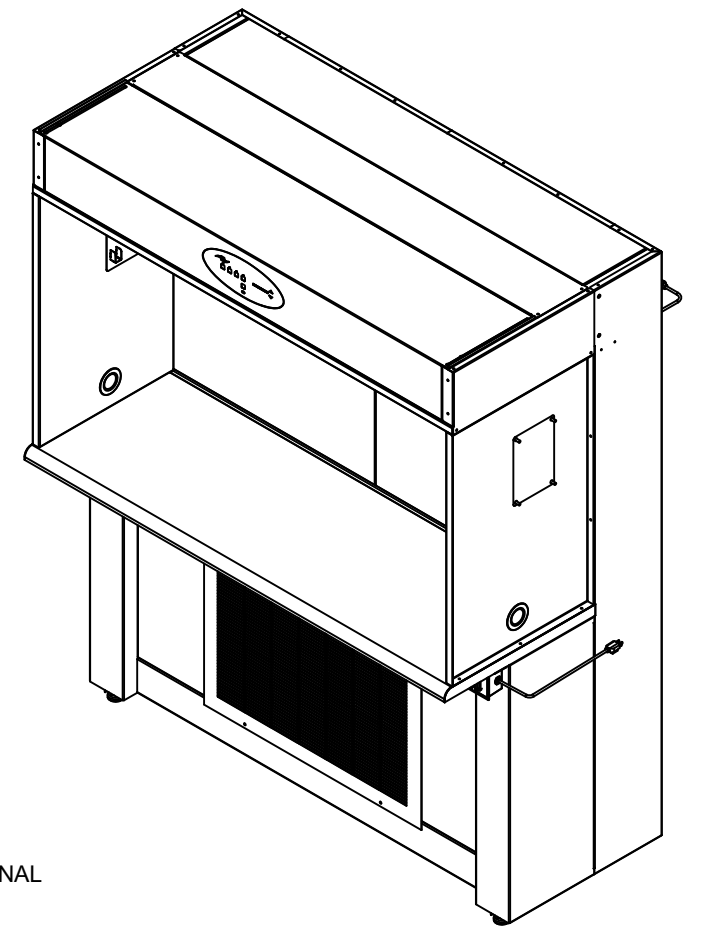
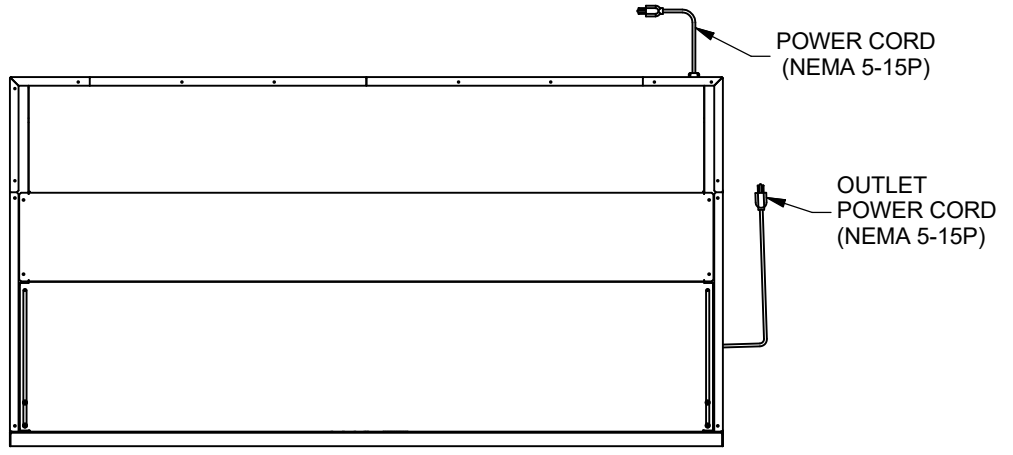


REV	ECO	DESCRIPTION	DATE	DFTM	CHKD
D	13949	CORRECTED OVERALL HEIGHT DIMENSIONS	1/23/2019	TH	BK



SECTION A-A

MODEL DIMS			
MODEL	DIM "A"	DIM "B"	HEPA FILTER SIZE
NU-340-530	32 [813]	76 3/8 [1940]	58 [1473] X 30 [762] X 3 [76]
NU-340-536	38 [965]	82 3/8 [2092]	58 [1473] X 36 [914] X 3 [76]

* OVERALL DIMENSIONAL TOLERANCE ±1/4" [6.35]
ALL OTHER DIMENSIONS ±1/8" [3.17]

TITLE: NU-340-500 HORIZONTAL AIRFLOW CONSOLE

DFTM LS	DATE 3/13/2018	CHKD BP	SHEET 1 OF 1
---------	----------------	---------	--------------

DRAWING NUMBER: BCD-19804

D

INCH MILLIMETER