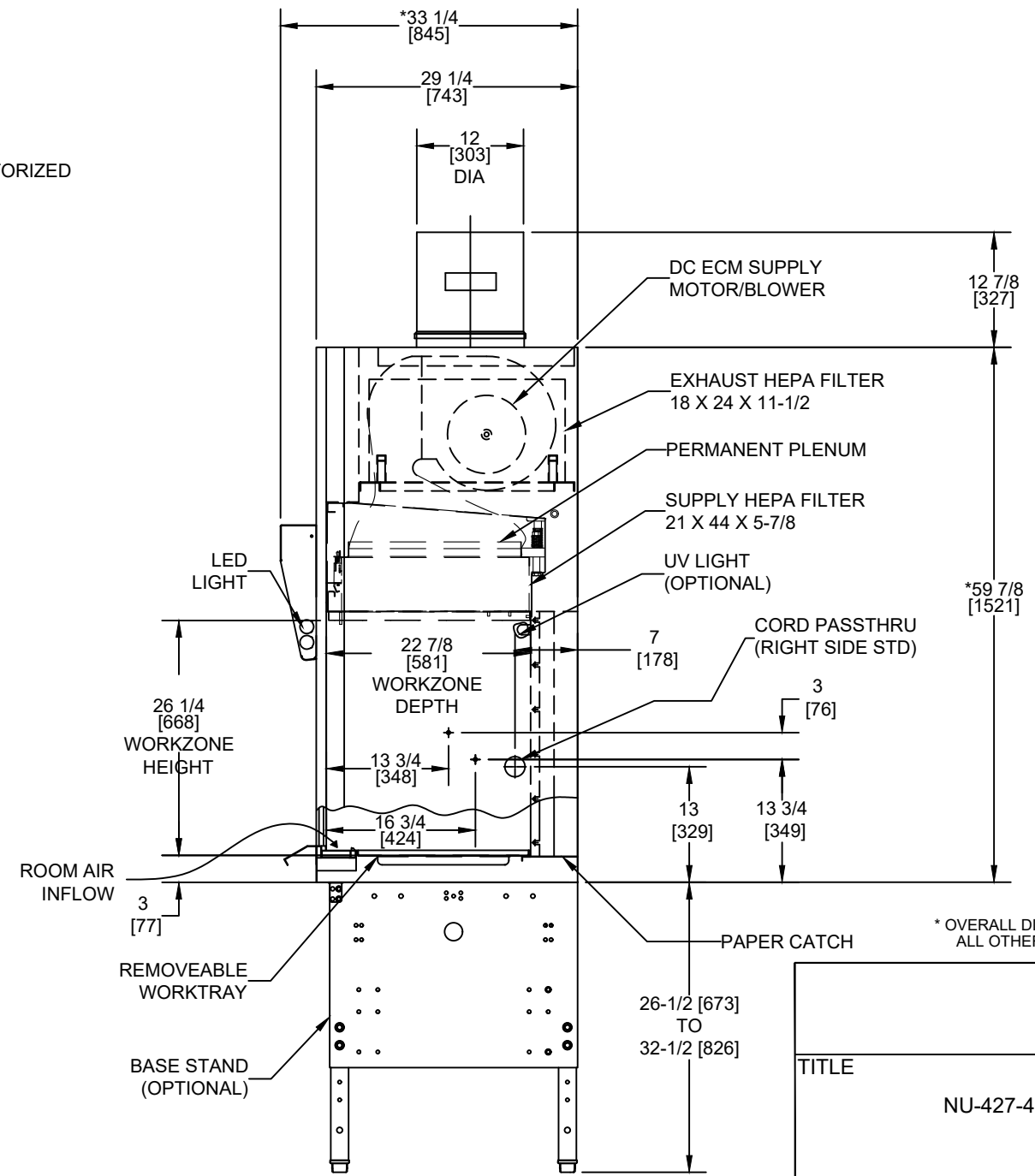
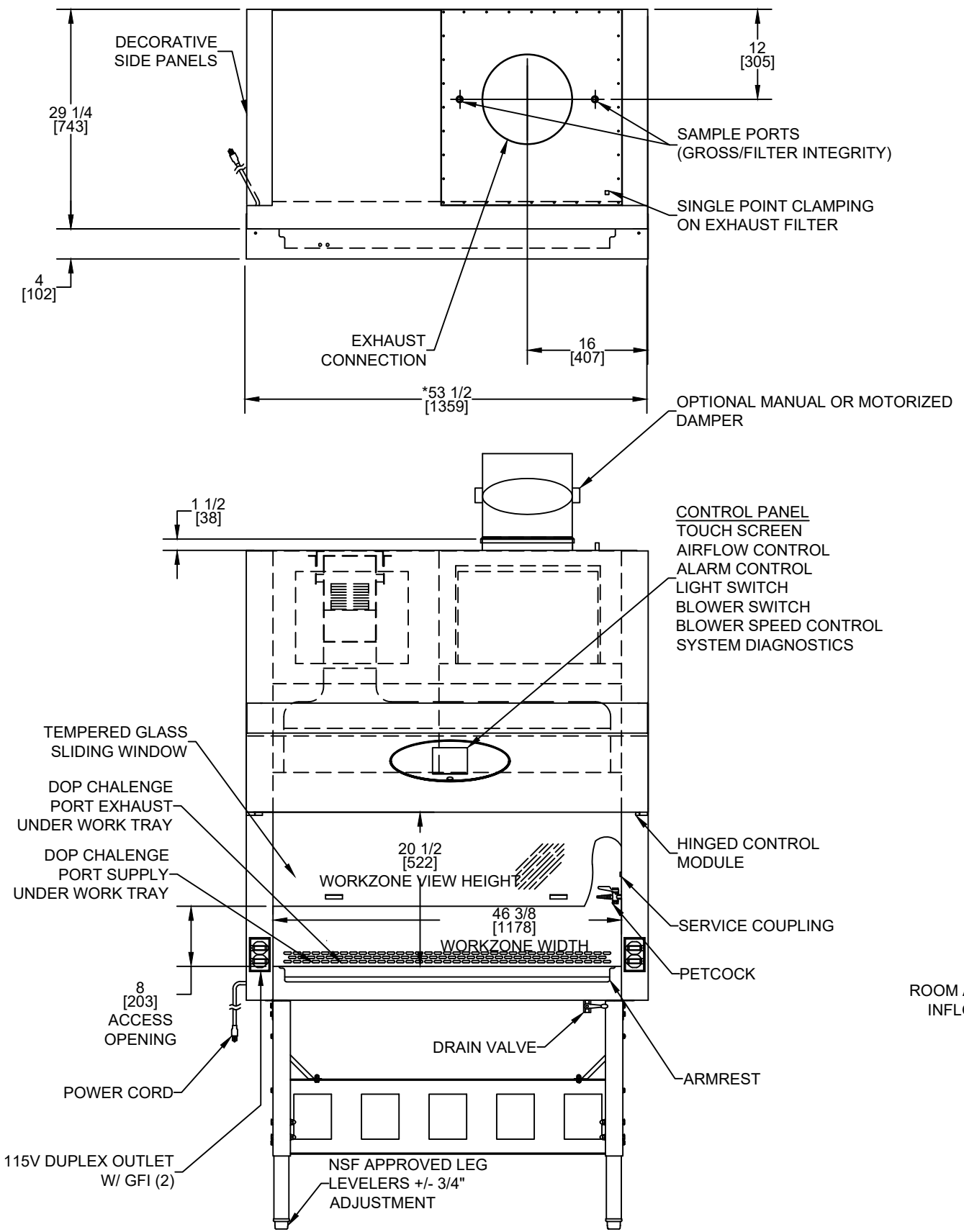


REV	CO	DESCRIPTION	DATE	DFTR	CHKD
F	001058	UPDATED LIGHTING, CORRECTED WIDTH	3/11/2022	TH	DSH



* OVERALL DIMENSIONAL TOLERANCE ±1/4 (6.35)
 ALL OTHER DIMENSIONS ±1/8 (3.17)

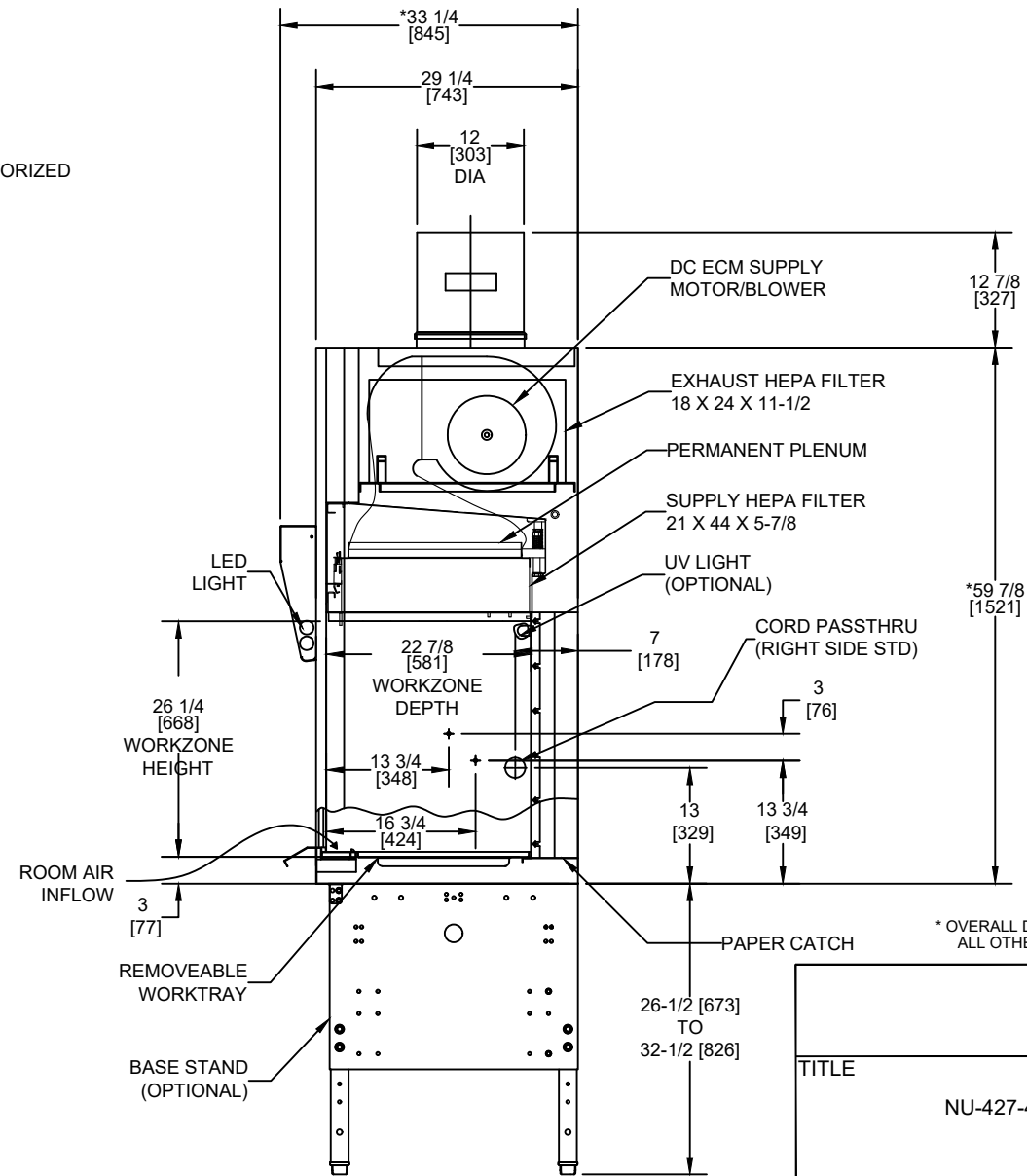
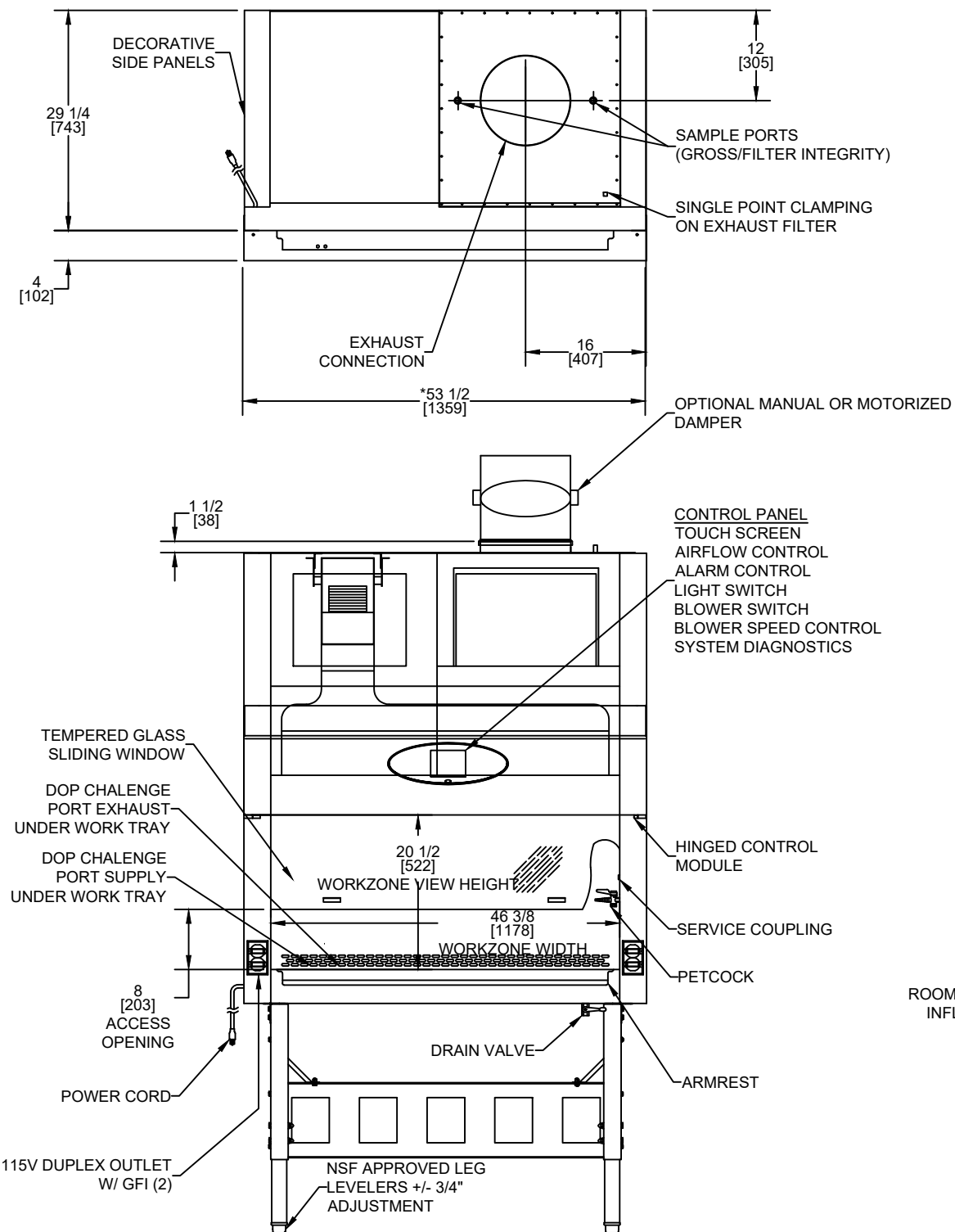


TITLE
 NU-427-400 CLASS II, TYPE B1 BIOSAFETY CABINET

DFTR	DHH	DATE	6/23/11	CHKD	BP	SHEET	1	OF	1
DRAWING NUMBER		BCD-14637						F	

INCHES
 MILLIMETERS

REV	CO	DESCRIPTION	DATE	DFTR	CHKD
F	001058	UPDATED LIGHTING, CORRECTED WIDTH	3/11/2022	TH	DSH



* OVERALL DIMENSIONAL TOLERANCE ±1/4 (6.35)
 ALL OTHER DIMENSIONS ±1/8 (3.17)



NU-TRON TITLE NU-427-400 CLASS II, TYPE B1 BIOSAFETY CABINET						
DFTR	DHH	DATE	6/23/11	CHKD	BP	SHEET 1 OF 1
DRAWING NUMBER		BCD-14637			F	

INCHES
MILLIMETERS