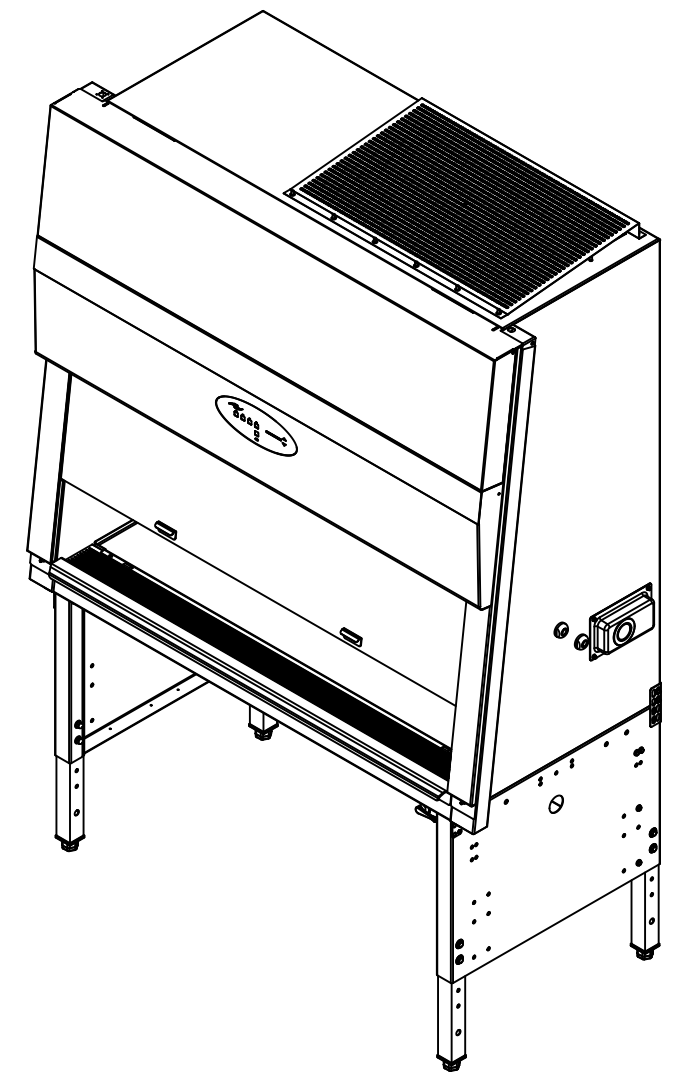
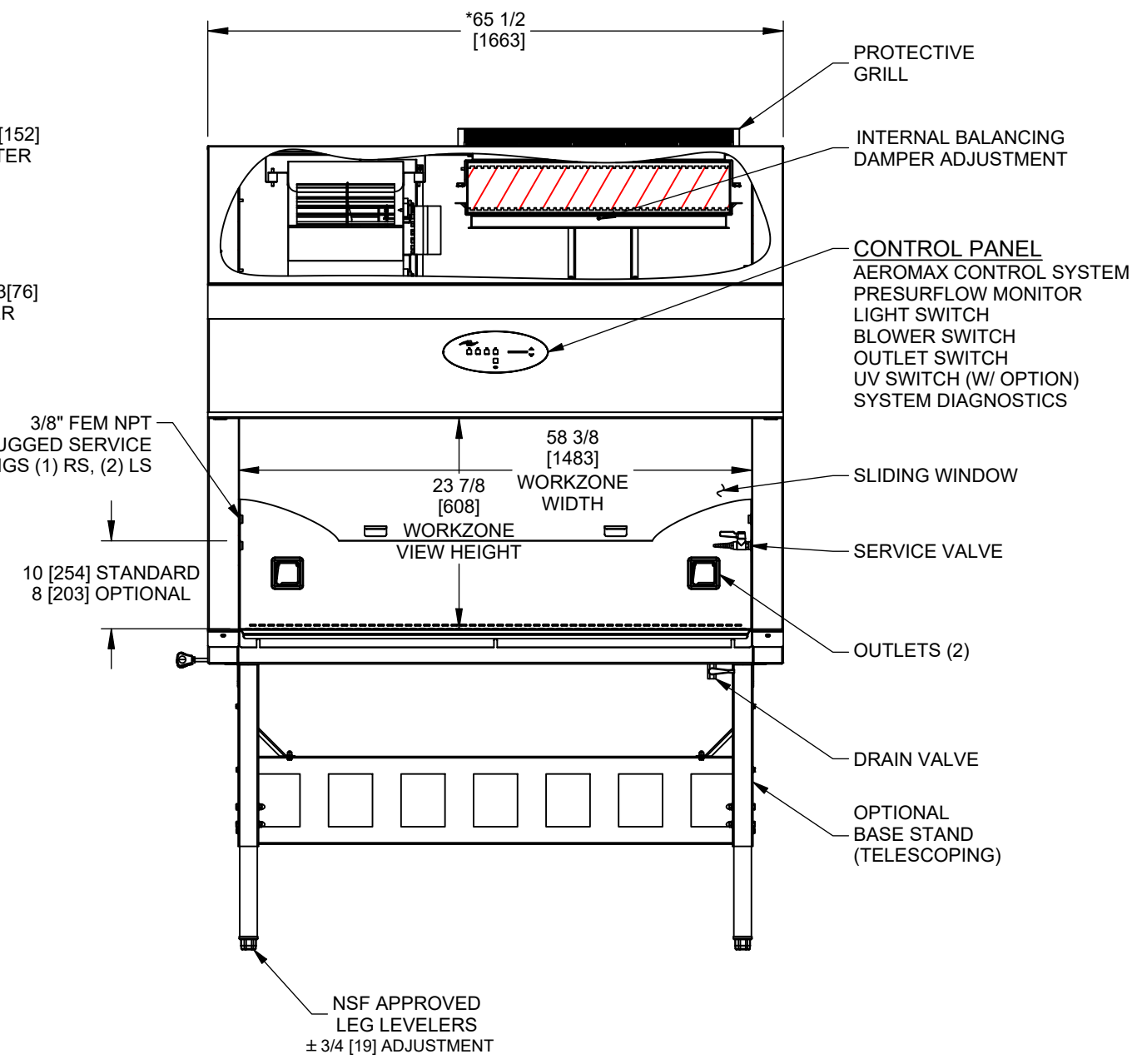
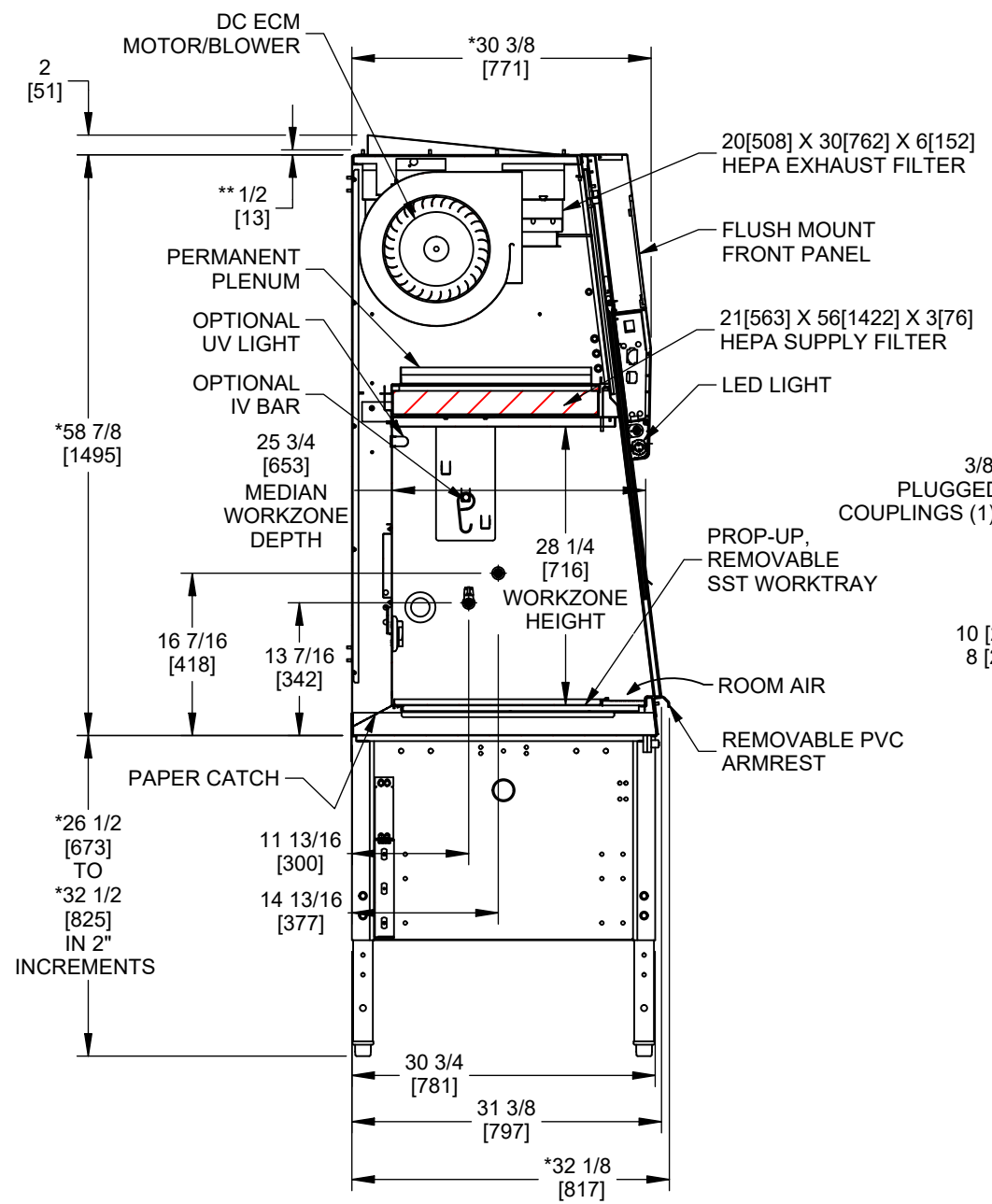
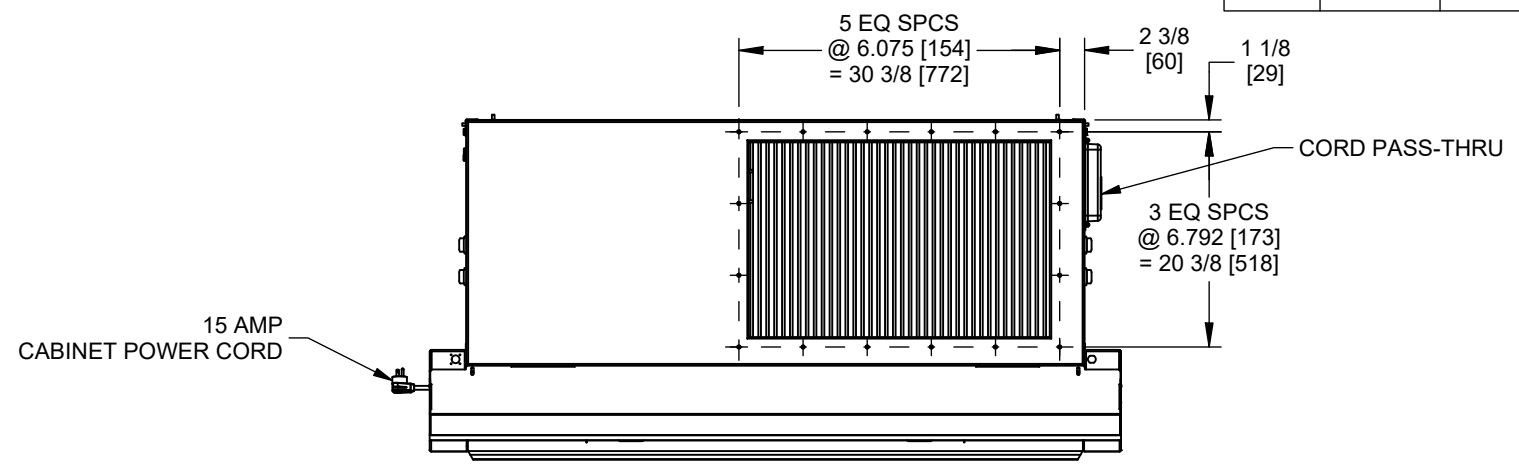


REV	CO	DESCRIPTION	DATE	DFTM	CHKD
D	000885	UPDATED LIGHTING, POWER CORD, WORKTRAY	12/16/2021	TH	DSH



* OVERALL DIMENSIONAL TOLERANCE ±1/4 [6.35]
ALL OTHER DIMENSIONS ±1/8 [3.17]

TITLE NU-540-500E Class II Biosafety Cabinet				
DFTM LS	DATE 5/20/2014	CHKD BP	SHEET 1	OF 1
DRAWING NUMBER BCD-16889		D		

** ADD 1/2" [13] TO OVERALL HEIGHT WITH PROTECTIVE GRILL REMOVED

INCH
MILLIMETER