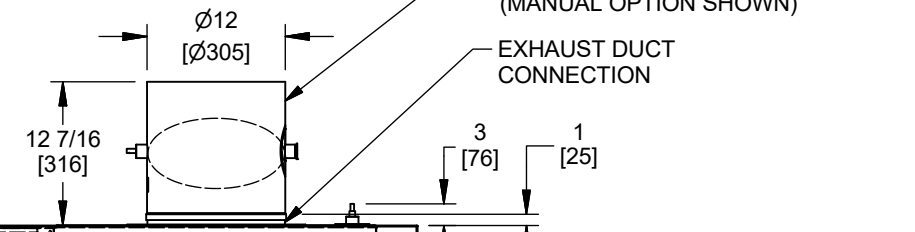
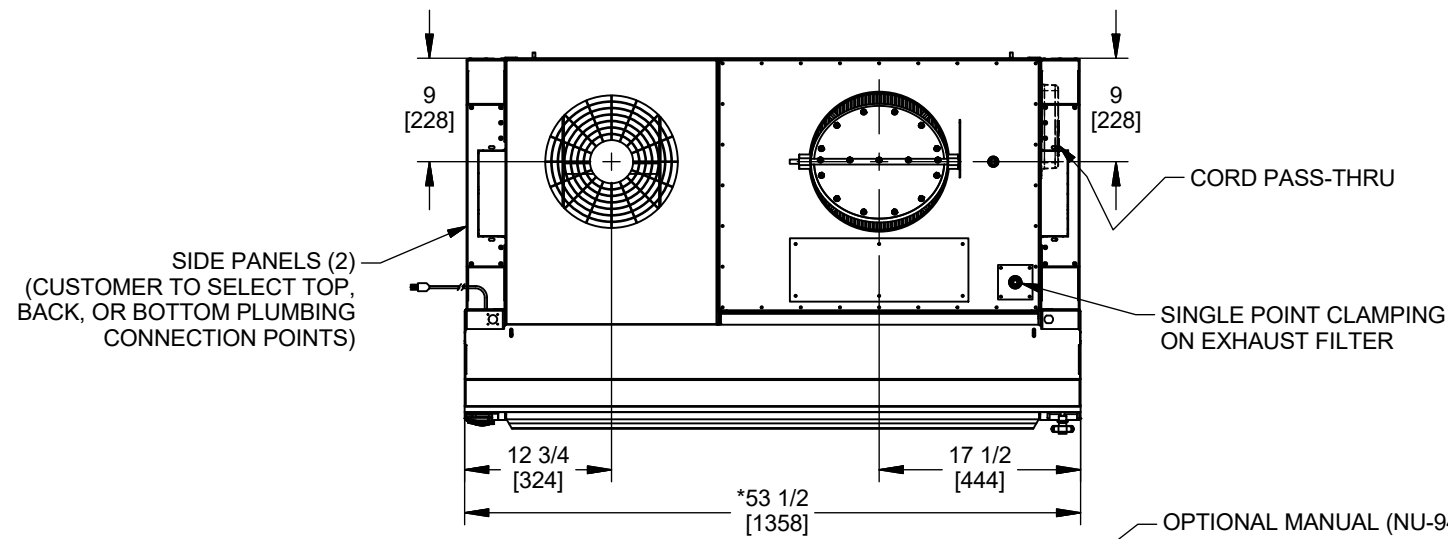
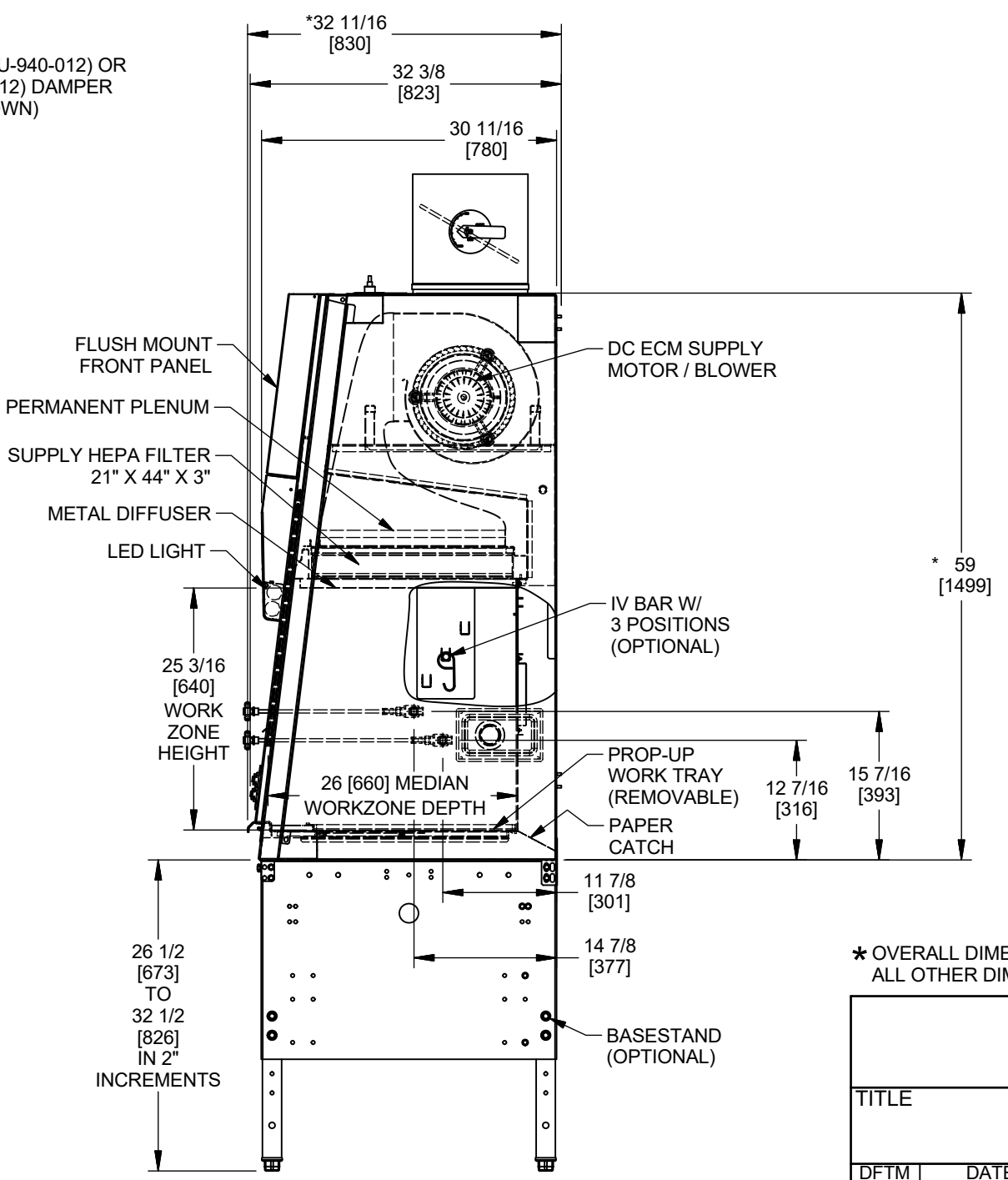
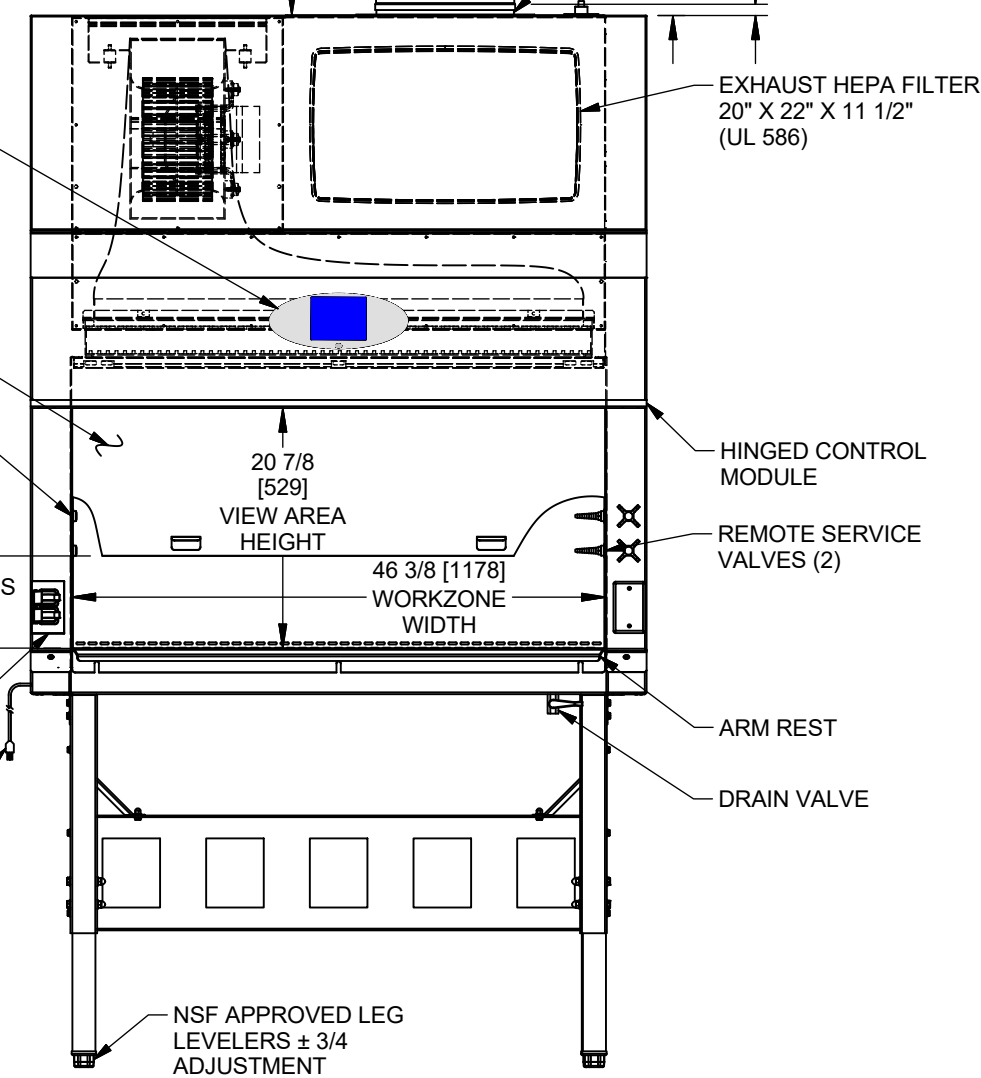


REV	CO	DESCRIPTION	DATE	DFTM	CHKD
B	000147	UPDATED	10/7/2019	TH	DSH



- CONTROL PANEL**
- TOUCH SCREEN
 - AIRFLOW CONTROL
 - ALARM CONDITION
 - LIGHT SWITCH
 - BLOWER SWITCH
 - BLOWER SPEED CONTROL
 - SYSTEM DIAGNOSTICS
- SLIDING WINDOW (TEMPERED GLASS)
- 3/8" FEM NPT PLUGGED SERVICE COUPLINGS (2)
- 8 [203] ACCESS OPENING
- DUPLEX OUTLET
- 15 AMP CABINET POWER CORD (NEMA 5-15P)



* OVERALL DIMENSIONAL TOLERANCE ±1/4 [6.35]
ALL OTHER DIMENSIONS ±1/8 [3.17]

TITLE NU-565-400 Class II Type B2 Biosafety Fume Hood					
DFTM	DATE	CHKD	SHEET	1	OF 1
LS	5/21/2018	BP			
DRAWING NUMBER		BCD-20051			B

INCH
MILLIMETER