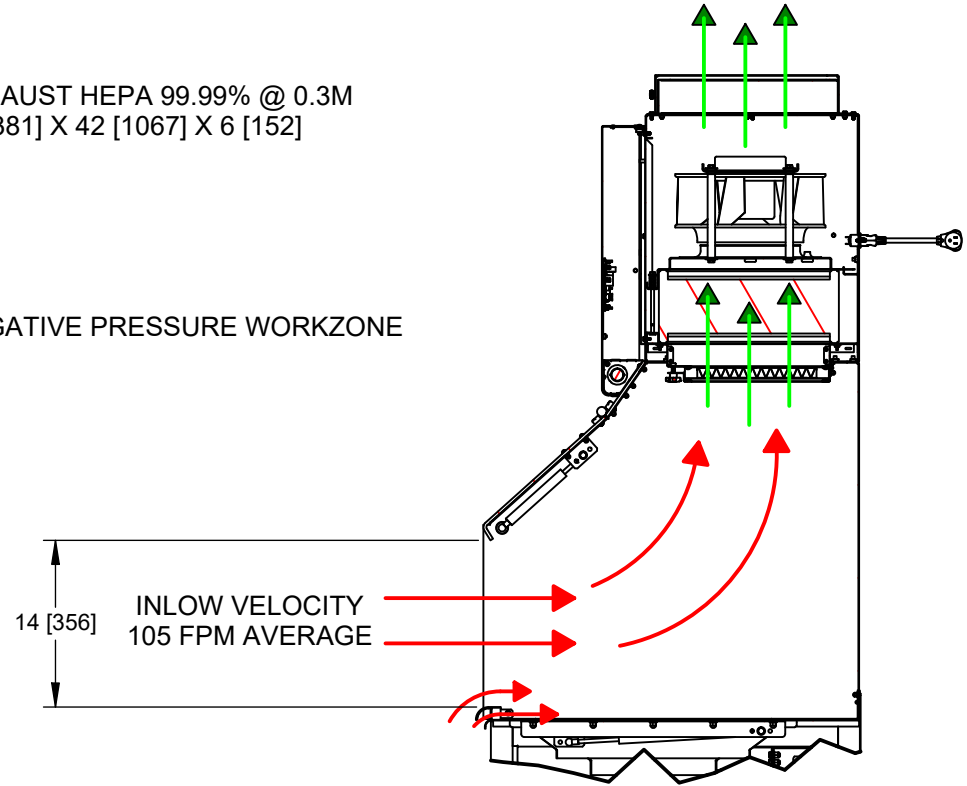
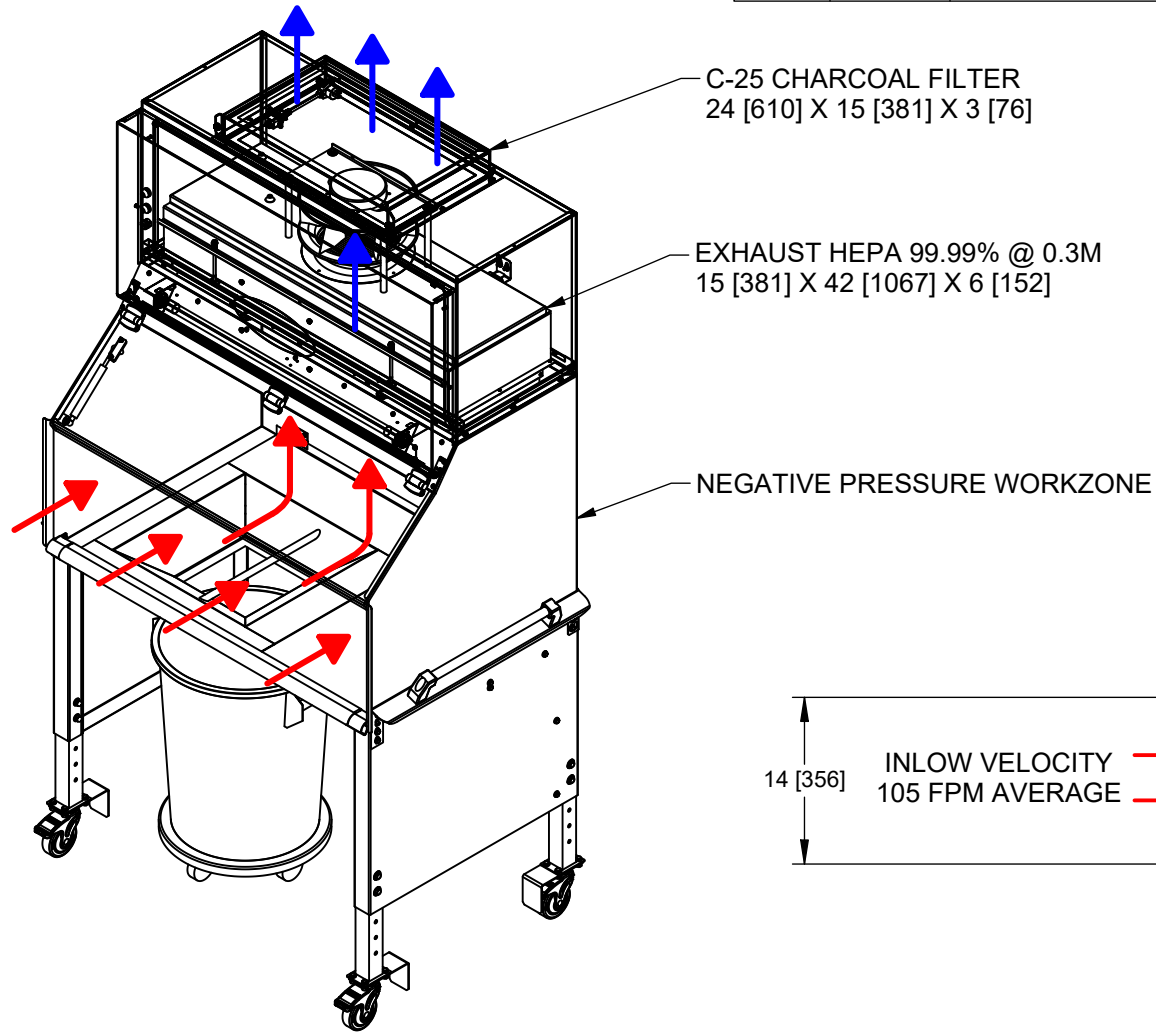


REV	CO	DESCRIPTION	DATE	DFTR	CHKD
A	000742	RELEASED TO PRODUCTION	3/18/2021	LS	MSS



DETAIL A

AIRFLOW SPECIFICATIONS:
 INFLOW: 105 FPM [.53MPS]
 EXHAUST: 511 CFM [868 CMH]

TITLE					
NU-608 Airflow Schematic					
DFTM	DATE	CHKD	SHEET	OF	
LS	3/18/2021	MSS	1	1	
DRAWING NUMBER		CD-000107			A