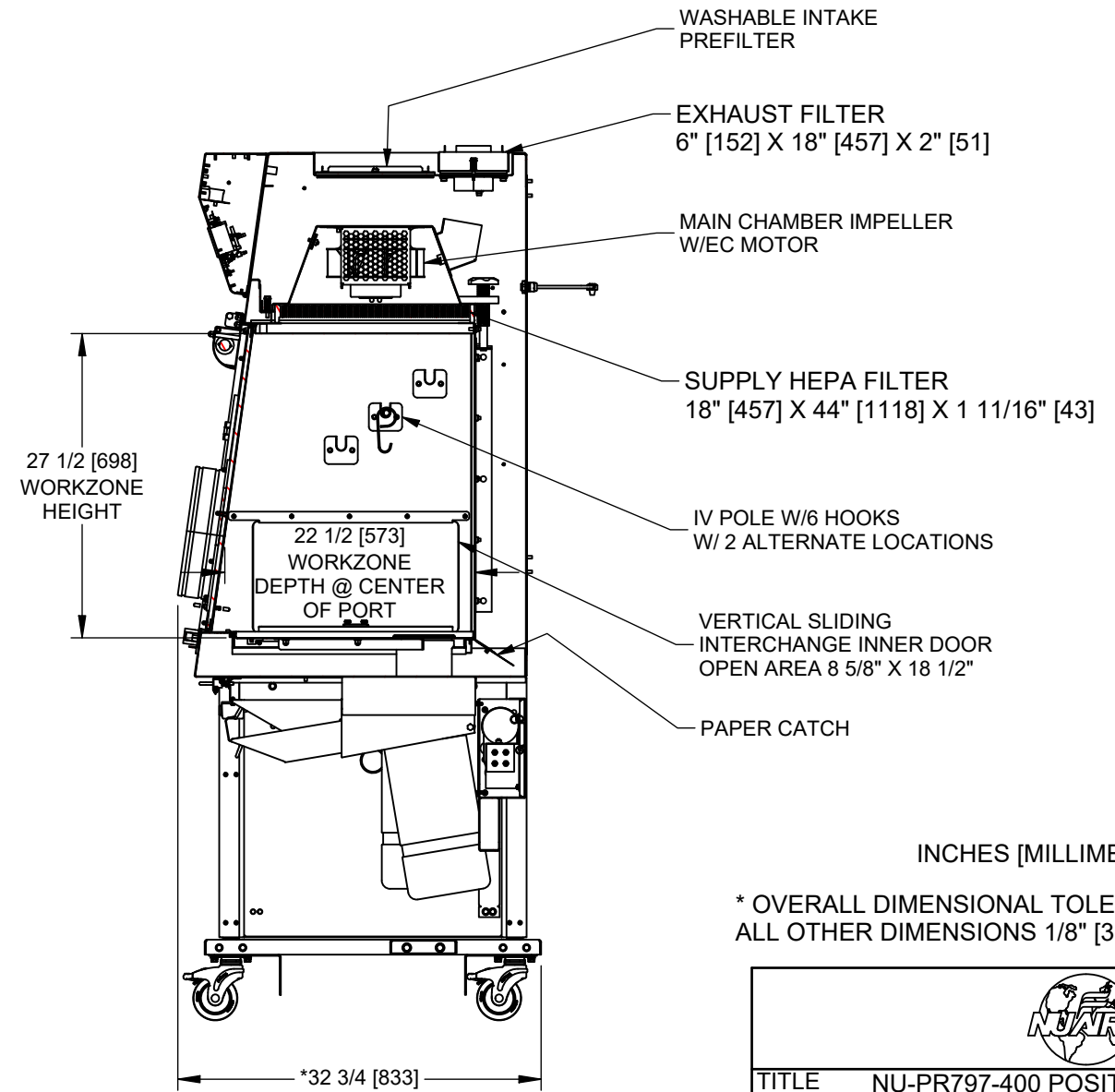
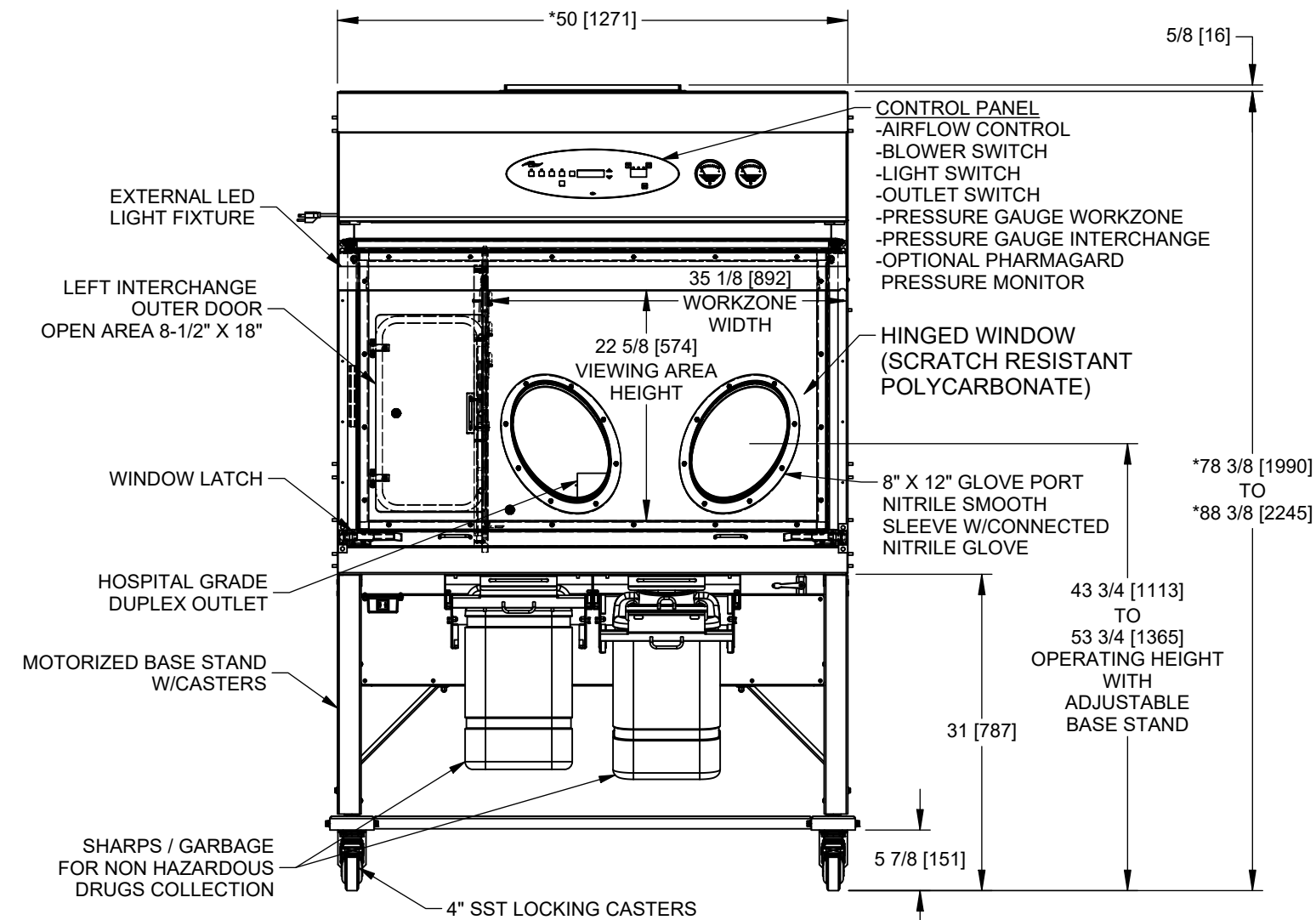
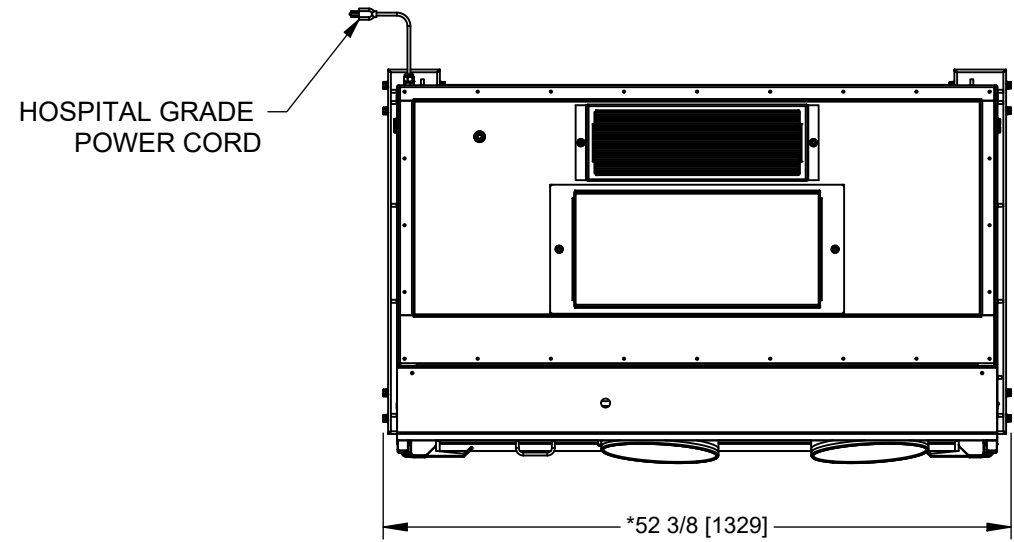


REV	CO	DESCRIPTION	DATE	DFTR	CHKD
A	001199	RELEASED	11/15/2022	RN	DF



INCHES [MILLIMETERS]

* OVERALL DIMENSIONAL TOLERANCE ±1/4" [6.35]
ALL OTHER DIMENSIONS 1/8" [3.17]

TITLE NU-PR797-400 POSITIVE PRESSURE RECIRCULATING STERILE ISOLATOR W/ EC MOTOR					
DFTM RN	DATE 11/15/2022	CHKD DF	SHEET 1	OF 1	
DRAWING NUMBER		CD-000140			A

REF: BCD-20313