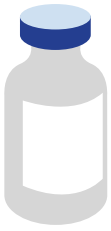




# Vaccine Storage Guide

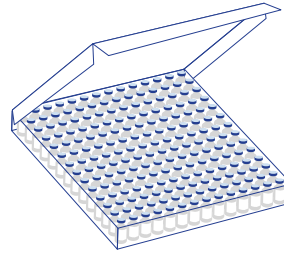
What Size Works Best for You?

-86°C ULTRA-LOW TEMPERATURE FREEZER



1 Vial = 5 Doses

*\*Note: 2 Doses are needed to inoculate 1 person*

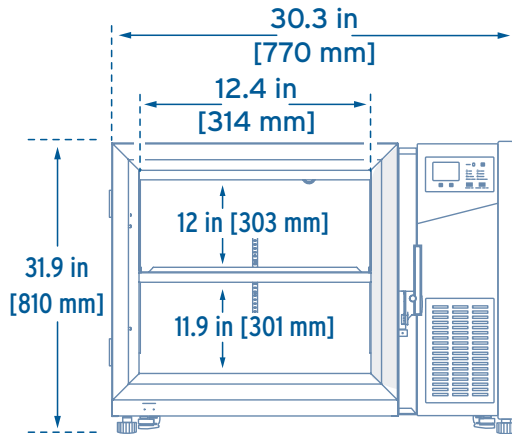


1 Box = 195 Vials

Box Width: 9" [229 mm]

Box Depth: 9" [229 mm]

Box Height: 1.6" [41 mm]



Vaccine Boxes

14

14

Total:

28\*

5,460 Vials

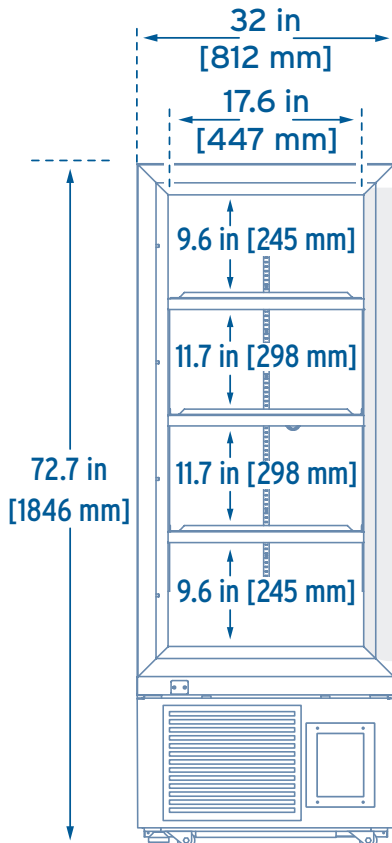
Unit Depth: 26 in [660 mm]  
Shelf Depth: 18.3 in [465 mm]

## Blizzard® NU-99100J

Capacity: 3.5 ft<sup>3</sup> [100 L]



Electrical:  
115V / 60Hz  
240V / 50Hz



Vaccine Boxes

10

14

14

10

Total:

48\*

9,360 Vials

## Blizzard® NU-99338J

Capacity: 11.9 ft<sup>3</sup> [338 L]

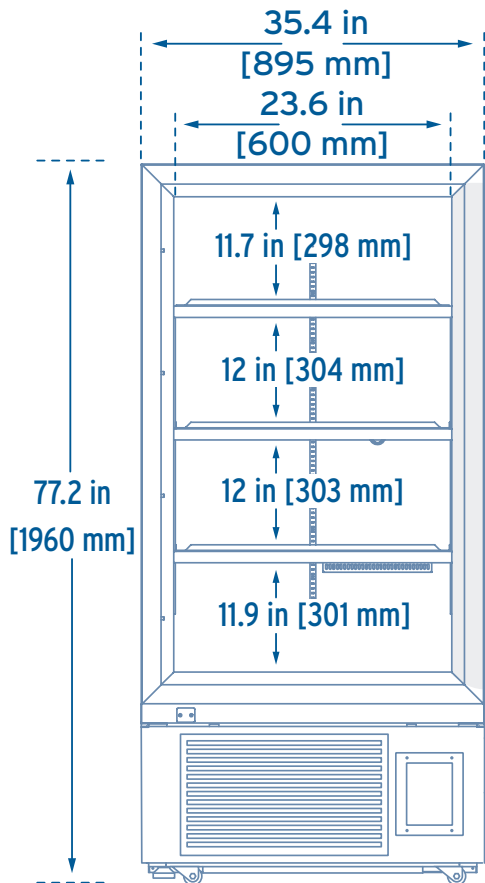


Electrical:  
115V / 60Hz  
220V / 60Hz  
230V / 50Hz



Unit Depth: 35.2 in [894 mm]  
Shelf Depth: 24.2 in [615 mm]





Vaccine Boxes

42

42

42

42

Total:

**168\***

32,760 Vials

## Blizzard® NU-99578J

Capacity: 20.4 ft<sup>3</sup> [578 L]

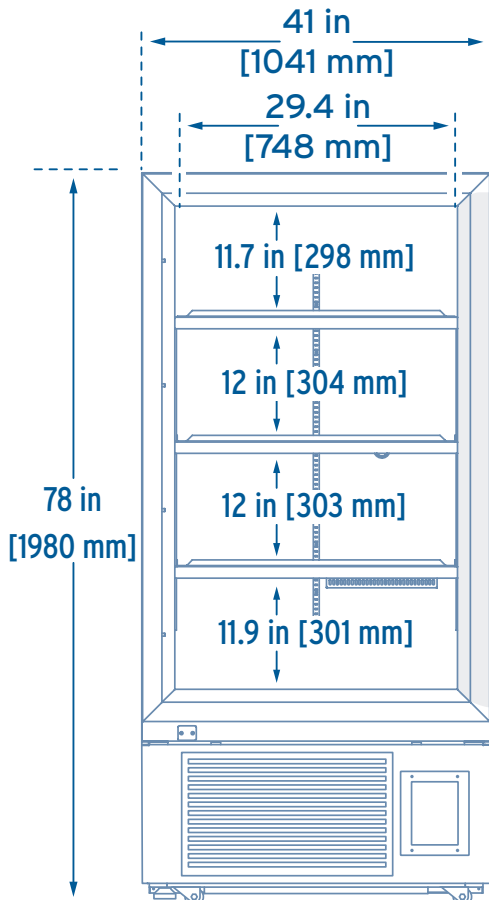


Electrical:  
115V / 60Hz  
220V / 60Hz  
230V / 50Hz



Unit Depth: 38.6 in [980 mm]

Shelf Depth: 27.6 in [702 mm]



Vaccine Boxes

63

63

63

63

Total:

**252\***

49,140 Vials

## Blizzard® NU-99728J

Capacity: 25.7 ft<sup>3</sup> [728 L]



Electrical:  
115V / 60Hz  
220V / 60Hz  
230V / 50Hz



Unit Depth: 38.6 in [980 mm]

Shelf Depth: 27.6 in [702 mm]

\*Note: Vaccine storage capacity is calculated by manufacturer's provided measurements, actual capacity may vary.

