

PHARMAGARDES NU-NR800  
AND  
PHARMAGARD ES NU-NTE800  
NEGATIVE PRESSURE  
COMPOUNDING ASEPTIC  
CONTAINMENT ISOLATOR

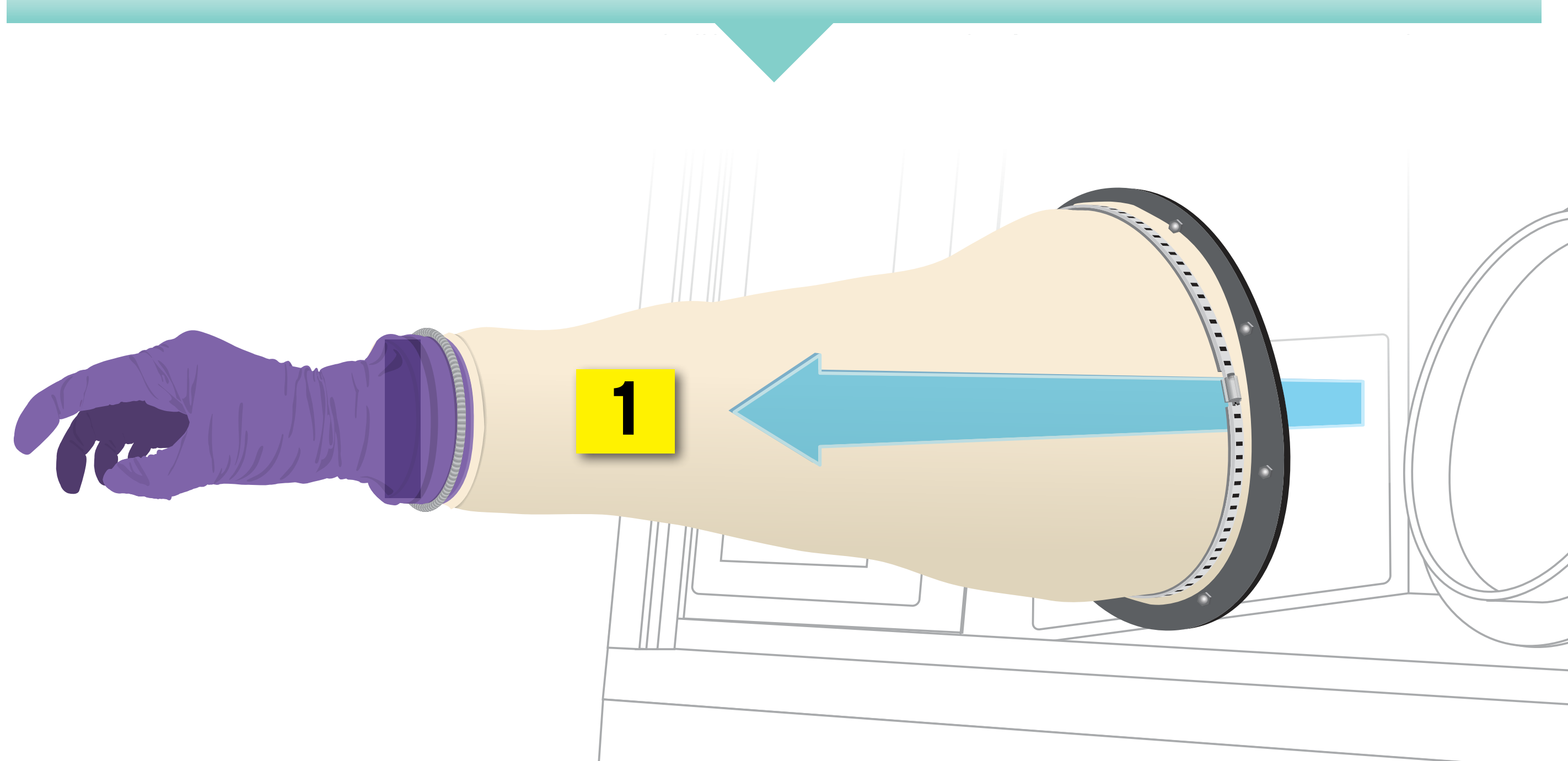
# GLOVE CHANGING PROCEDURE

LEAVE ISOLATOR RUNNING FOR SAFETY  
IN CASE OF ACCIDENTAL BREACH IN  
SLEEVE/GLOVE CHANGING PROCEDURES.

**A**

**[1] Invert Glove and Sleeve**

Place hand into glove and pull out through port.



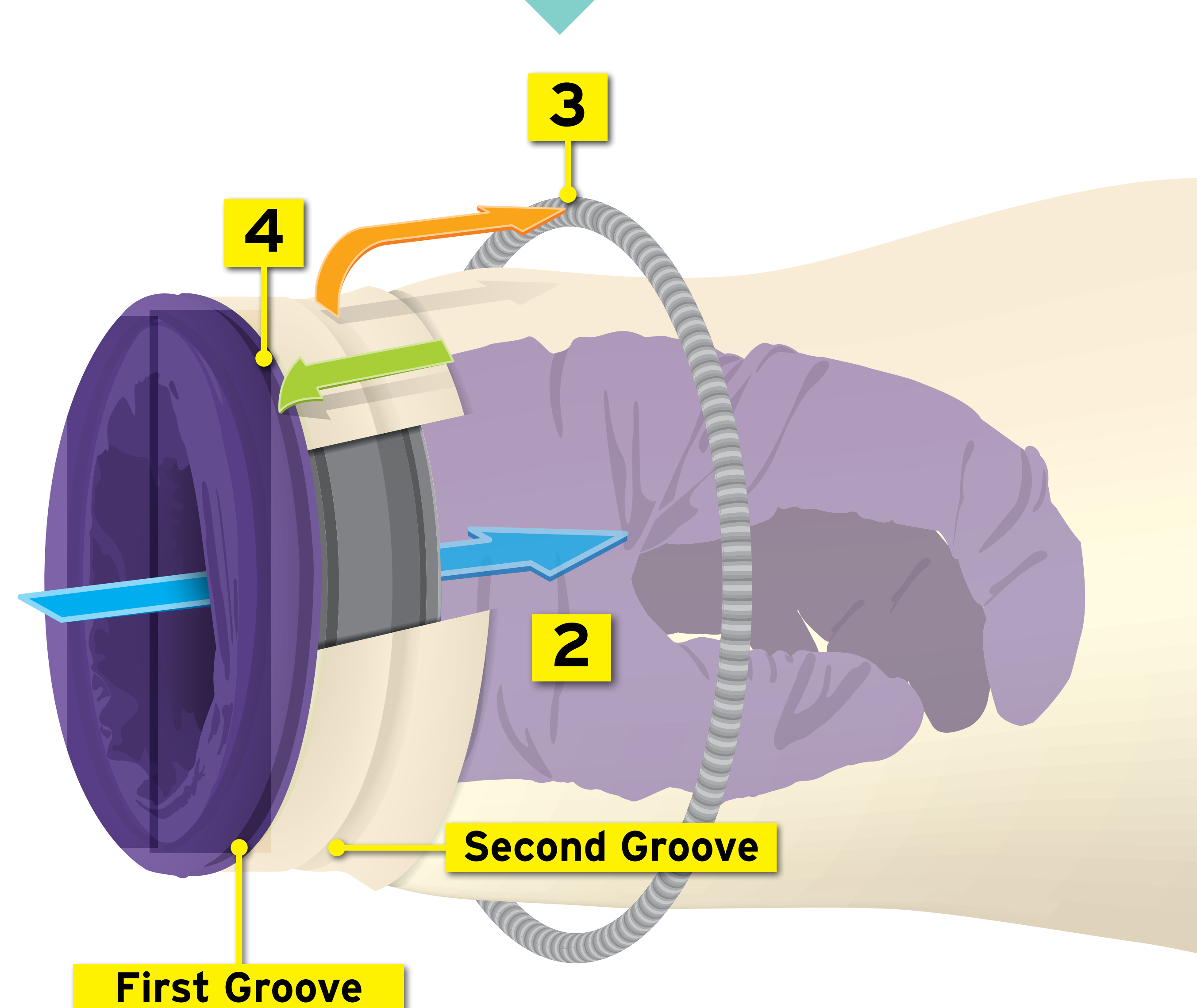
**B**

**[2] Push Glove Into Sleeve**

**[3] Remove Holding Spring**

**[4] Move Glove Cord Into First Groove of Glove-Sleeve Ring**

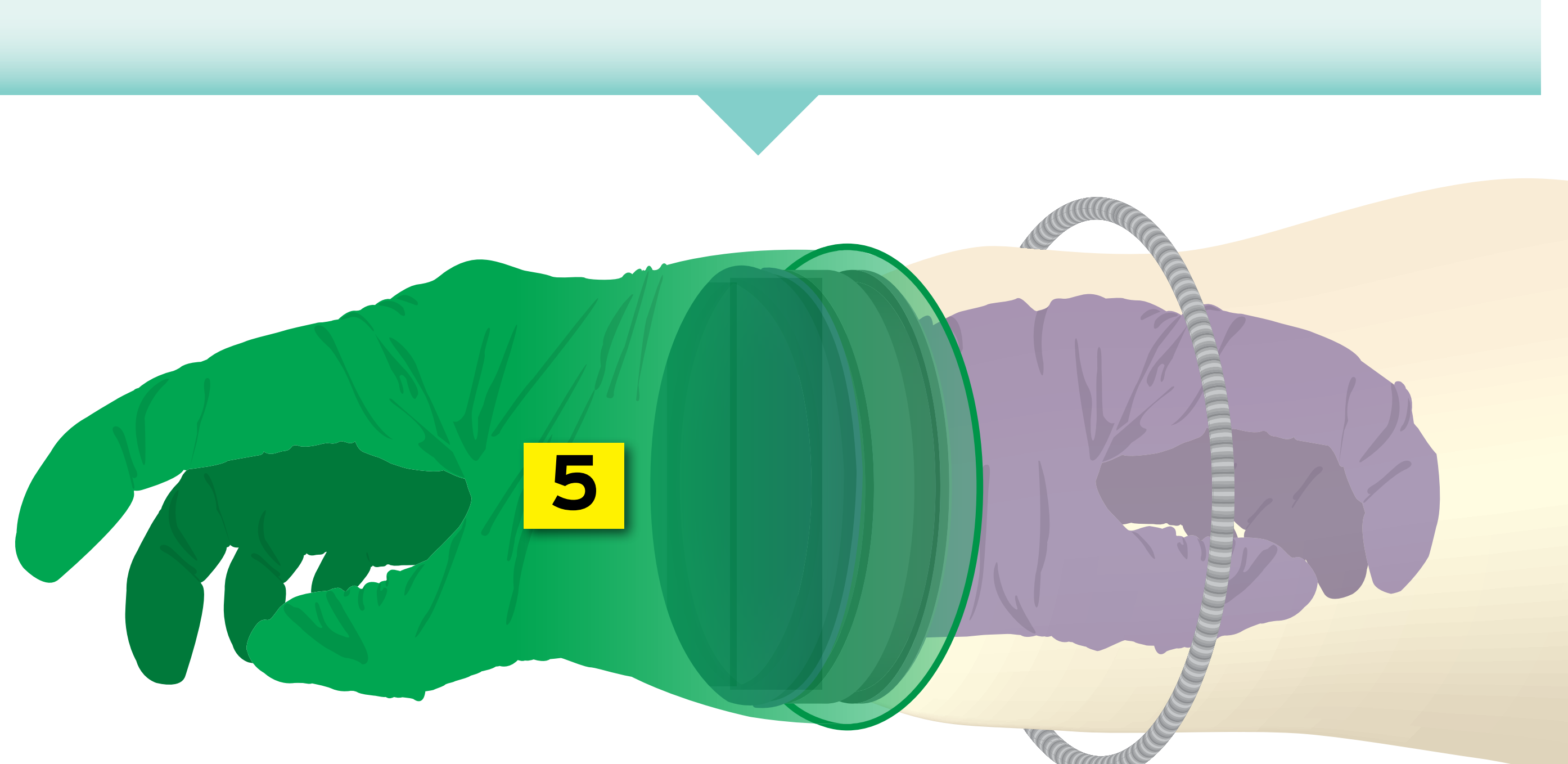
Take care not to allow glove to slip out of the first groove to prevent exposure to contaminated interior surfaces.



**C**

**[5] Attach New Glove Over Old Glove**

Secure the cord of the new glove past the second groove on the glove-sleeve ring.

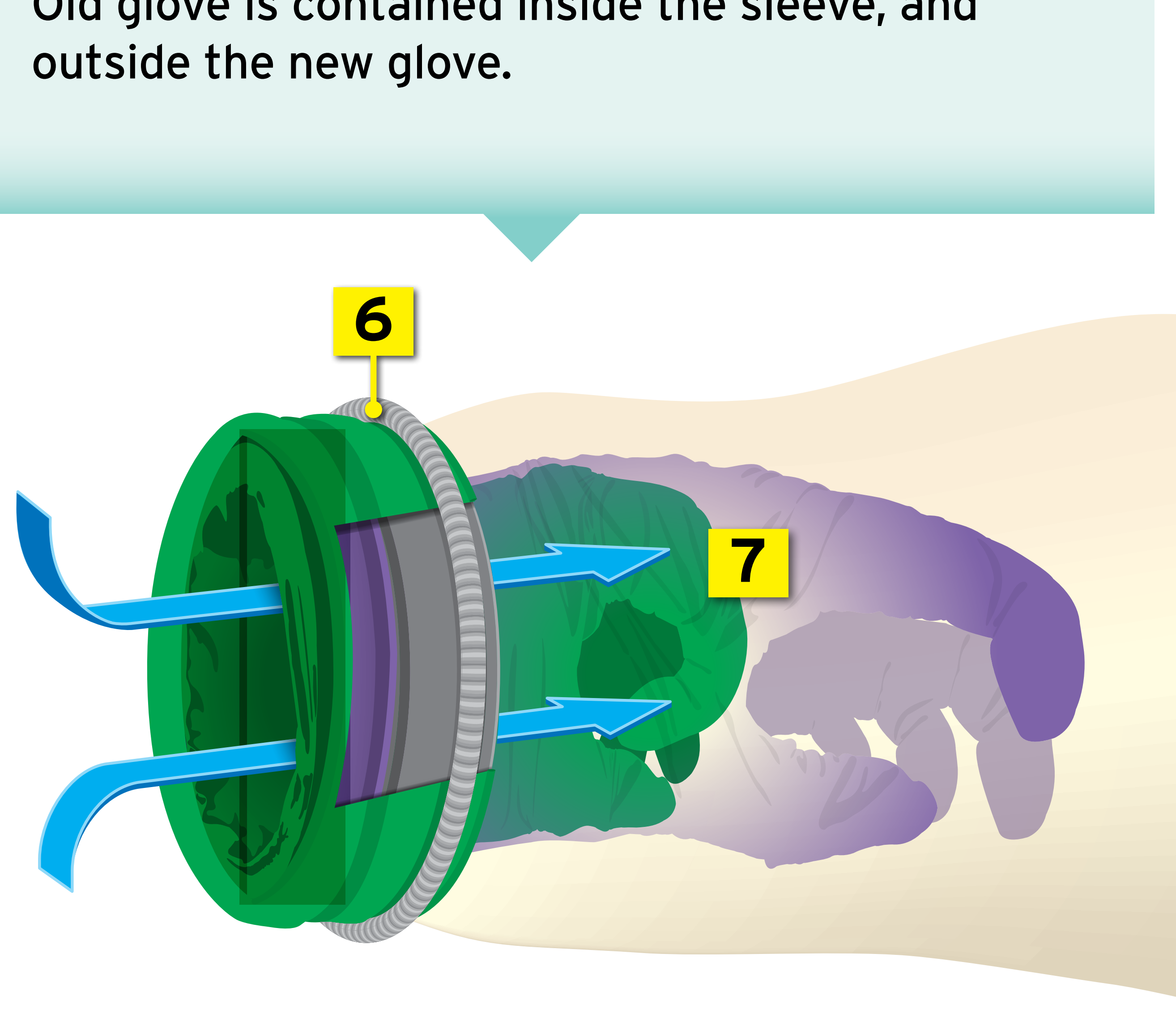


**D**

**[6] Return Holding Spring to Second Groove on Glove-Sleeve Ring**

**[7] Push New Glove Inside Old Glove & Into Sleeve**

Old glove is contained inside the sleeve, and outside the new glove.



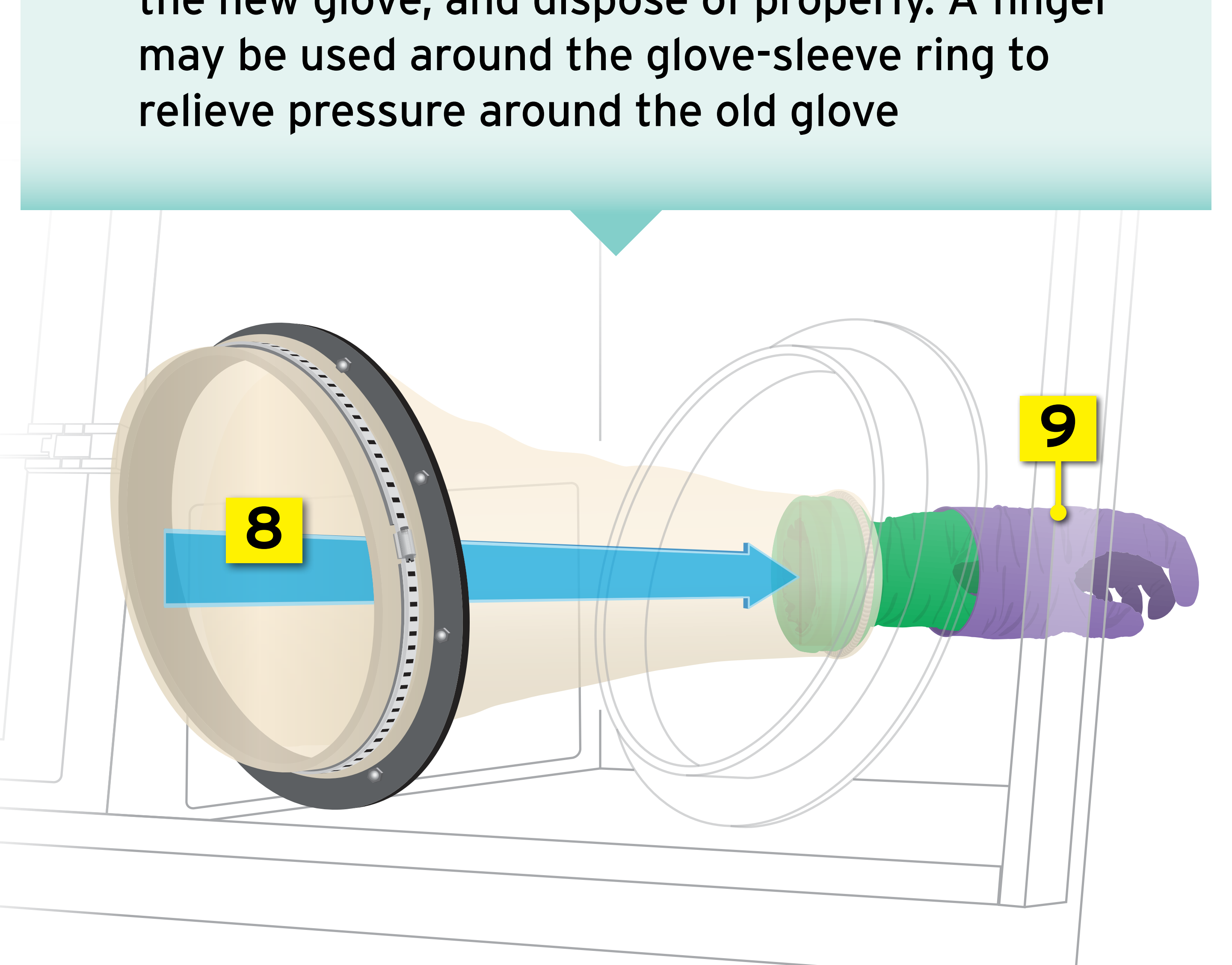
**E**

**[8] Push Glove and Sleeve Back into Work Area**

Place hand into new glove, push glove(s) and sleeve into interior.

**[9] Remove Old Glove**

Using the other glove/sleeve assembly, reach into work area, pull the old glove away from the new glove, and dispose of properly. A finger may be used around the glove-sleeve ring to relieve pressure around the old glove



PHARMAGARD<sup>ES</sup>



NuAire, Inc. | [nuaire.com](http://nuaire.com)