

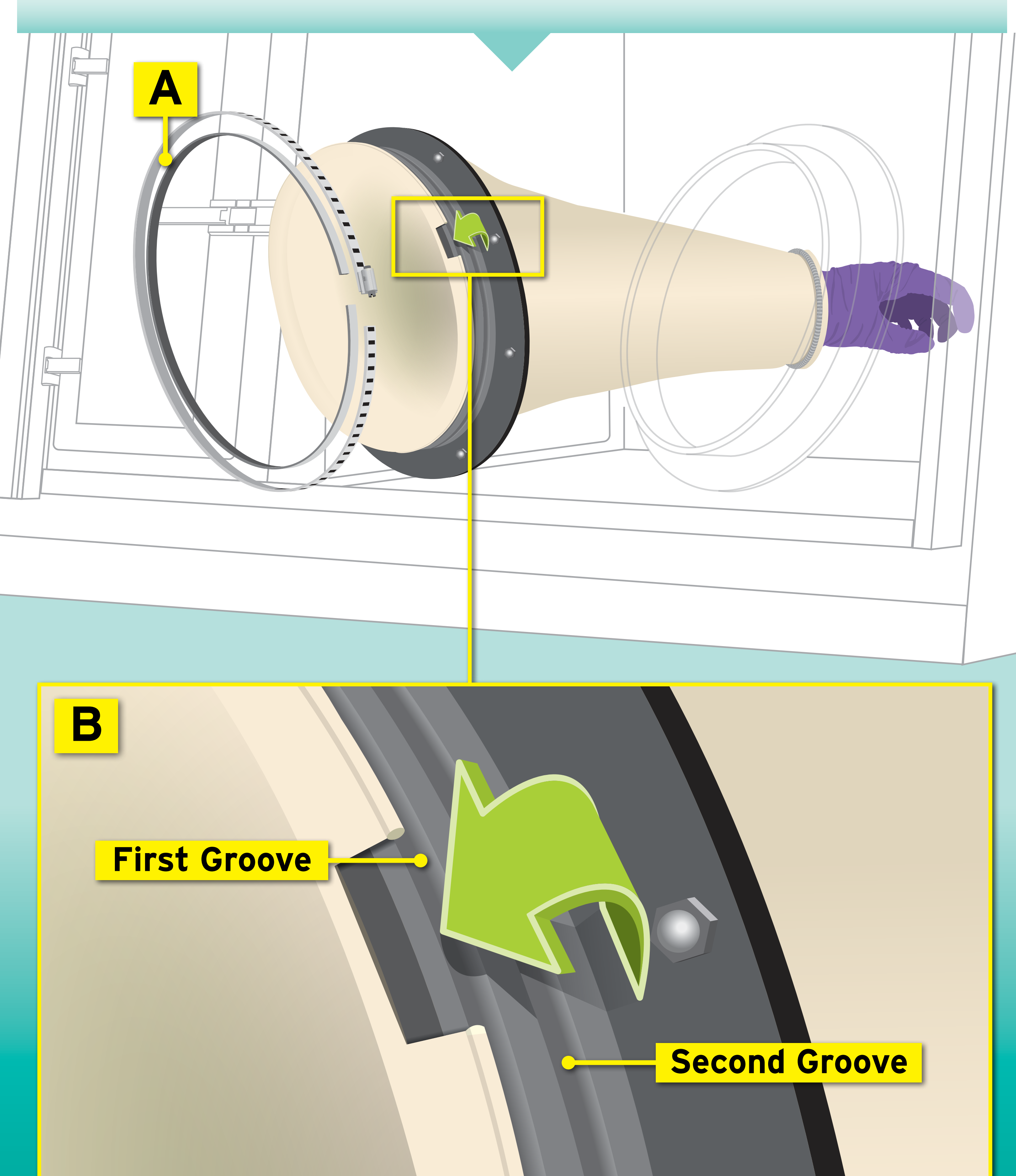
PHARMAGARD ES NU-NR800  
AND  
PHARMAGARD ES NU-NTE800  
NEGATIVE PRESSURE  
COMPOUNDING ASEPTIC  
CONTAINMENT ISOLATOR

# SLEEVE CHANGING PROCEDURE

LEAVE ISOLATOR RUNNING FOR SAFETY  
IN CASE OF ACCIDENTAL BREACH IN  
SLEEVE/GLOVE CHANGING PROCEDURES.

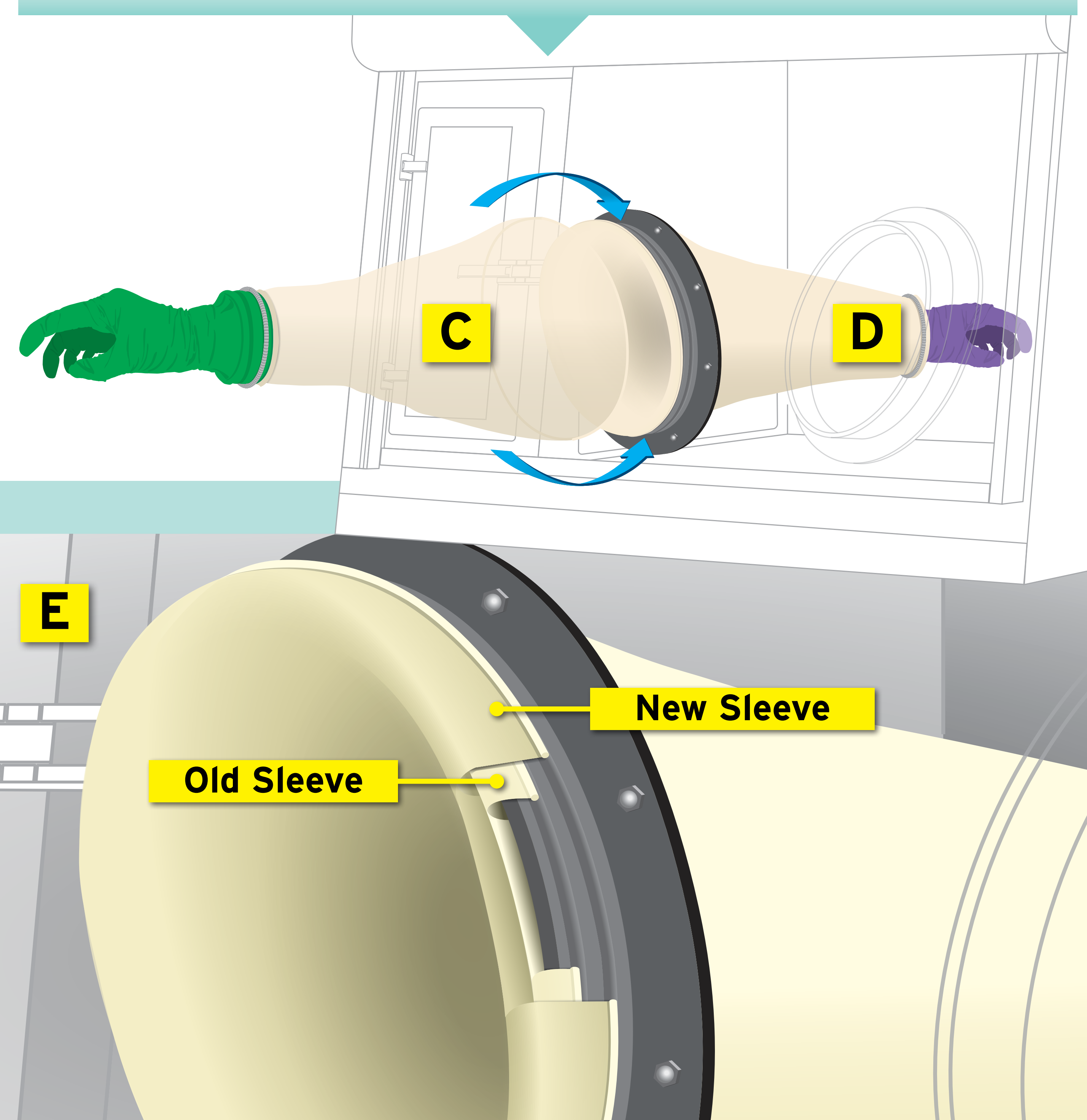
1

- [A] Remove Band Clamp & Sleeve Protector
- [B] Pull Sleeve Cord Into First Groove on Port



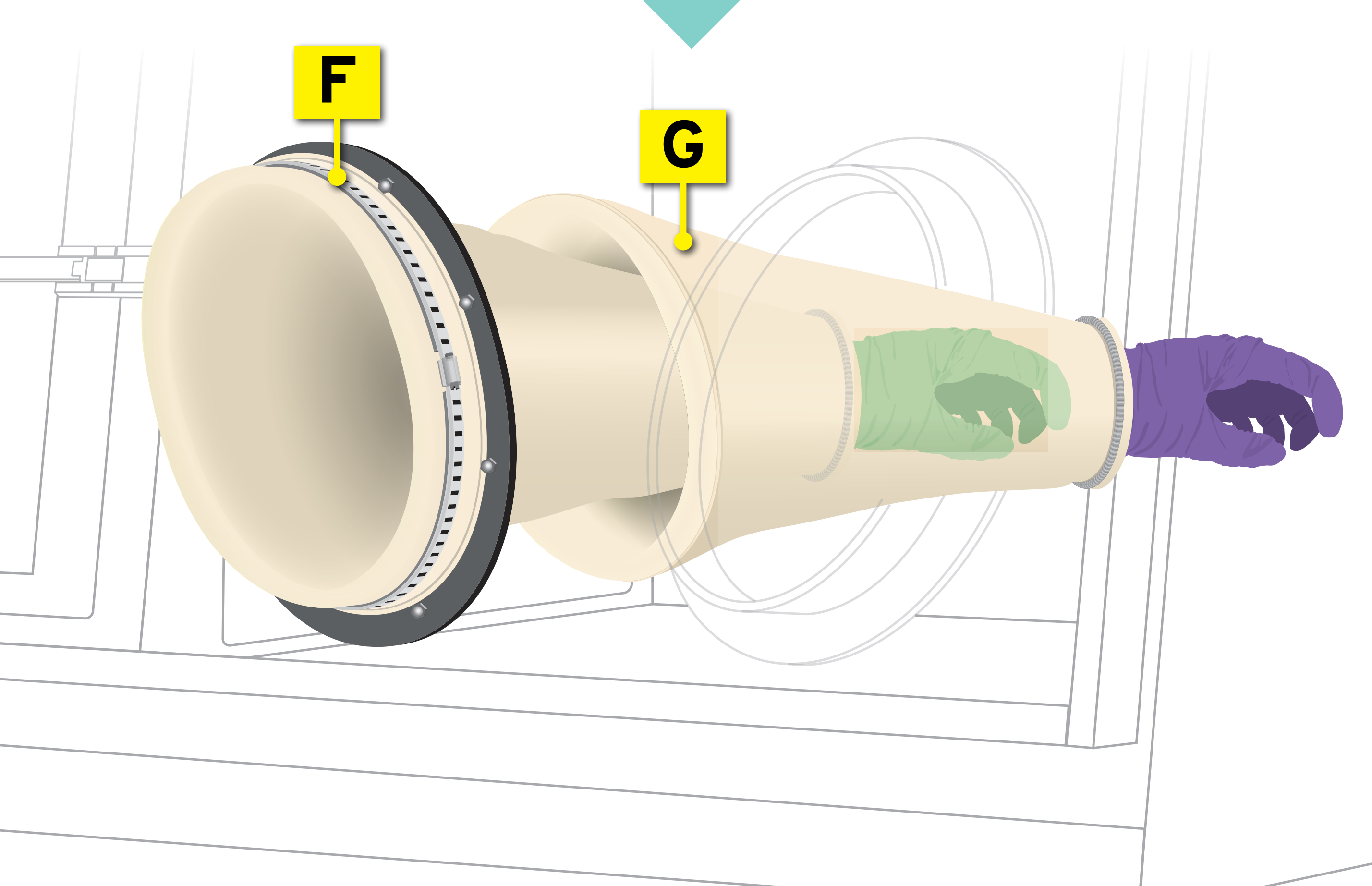
2

- [C] Attach New Glove / Sleeve Assembly Over Old Glove / Sleeve Assembly [D]
- [E] Seat New Sleeve Cord in the Second Groove



3

- [F] Reattach Band Clamp & Sleeve Protector
- [G] Remove Old Glove / Sleeve  
Using the other glove/sleeve assembly, reach into work area and pull the old glove / sleeve out of the first groove into cabinet and dispose of properly.



PHARMAGARD ES



NuAire, Inc. | [nuaire.com](http://nuaire.com)