

PHARMAGARD ES NU-PR797

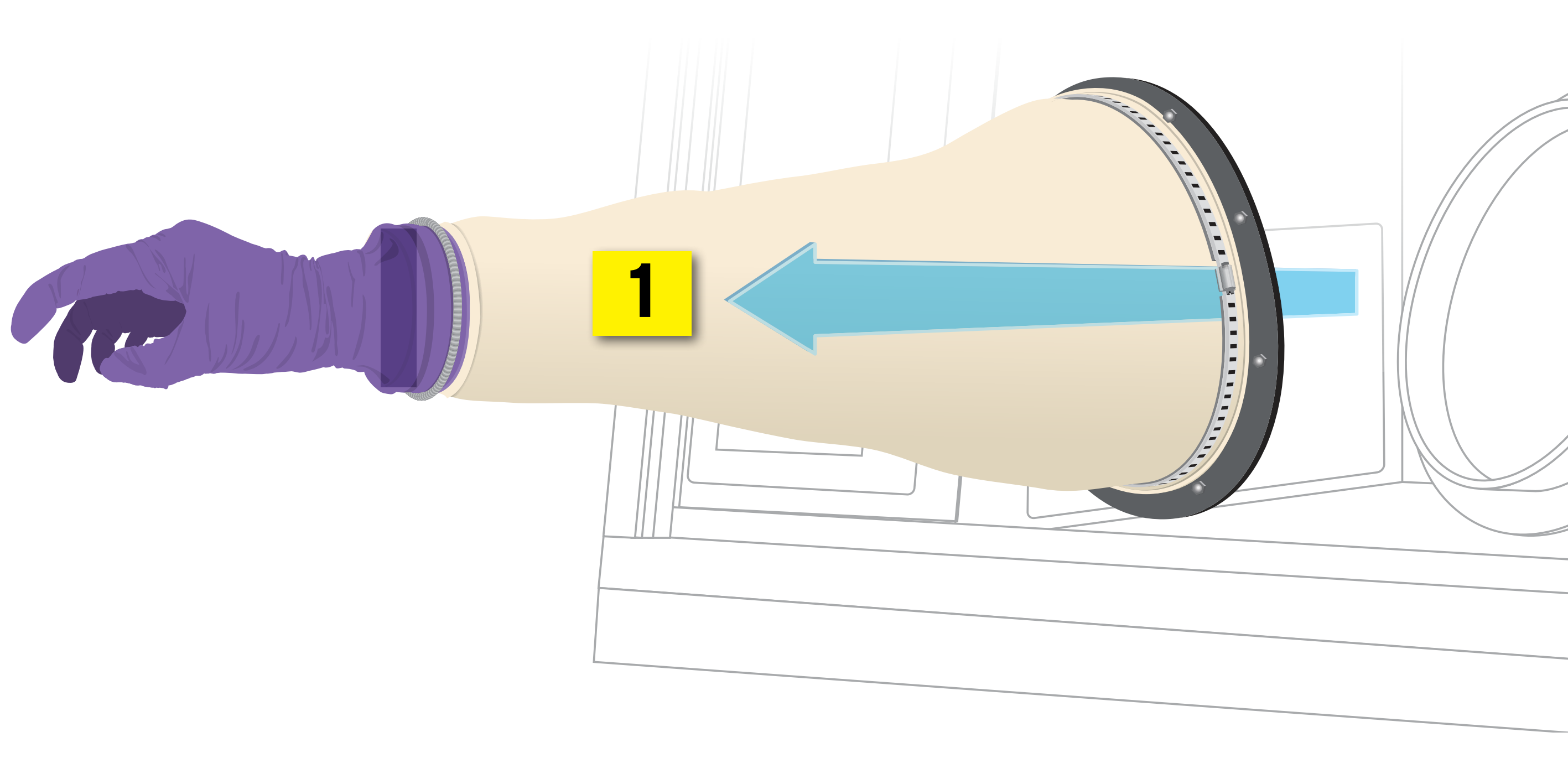
POSITIVE PRESSURE

COMPOUNDING ASEPTIC ISOLATOR

GLOVE CHANGING PROCEDURE

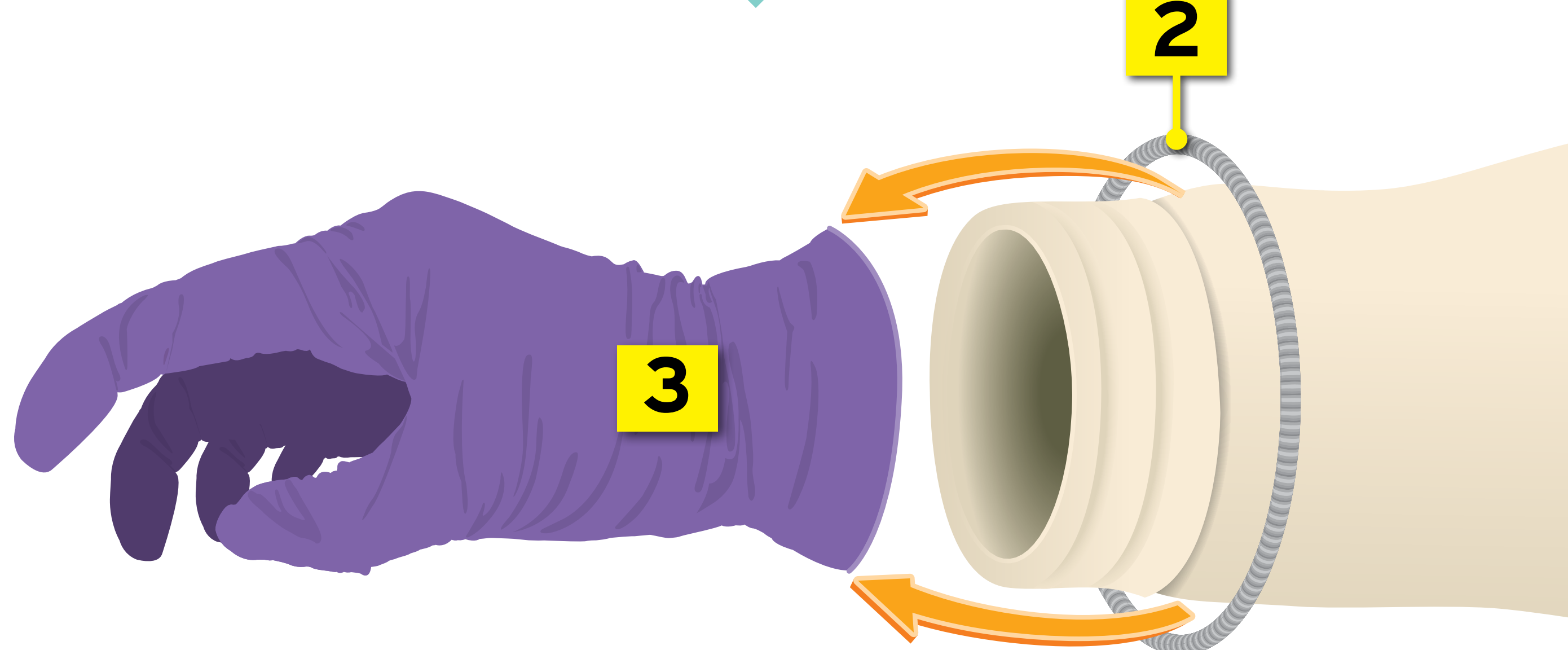
A

- [1] **Invert Glove and Sleeve**
Place hand into glove and pull out through port



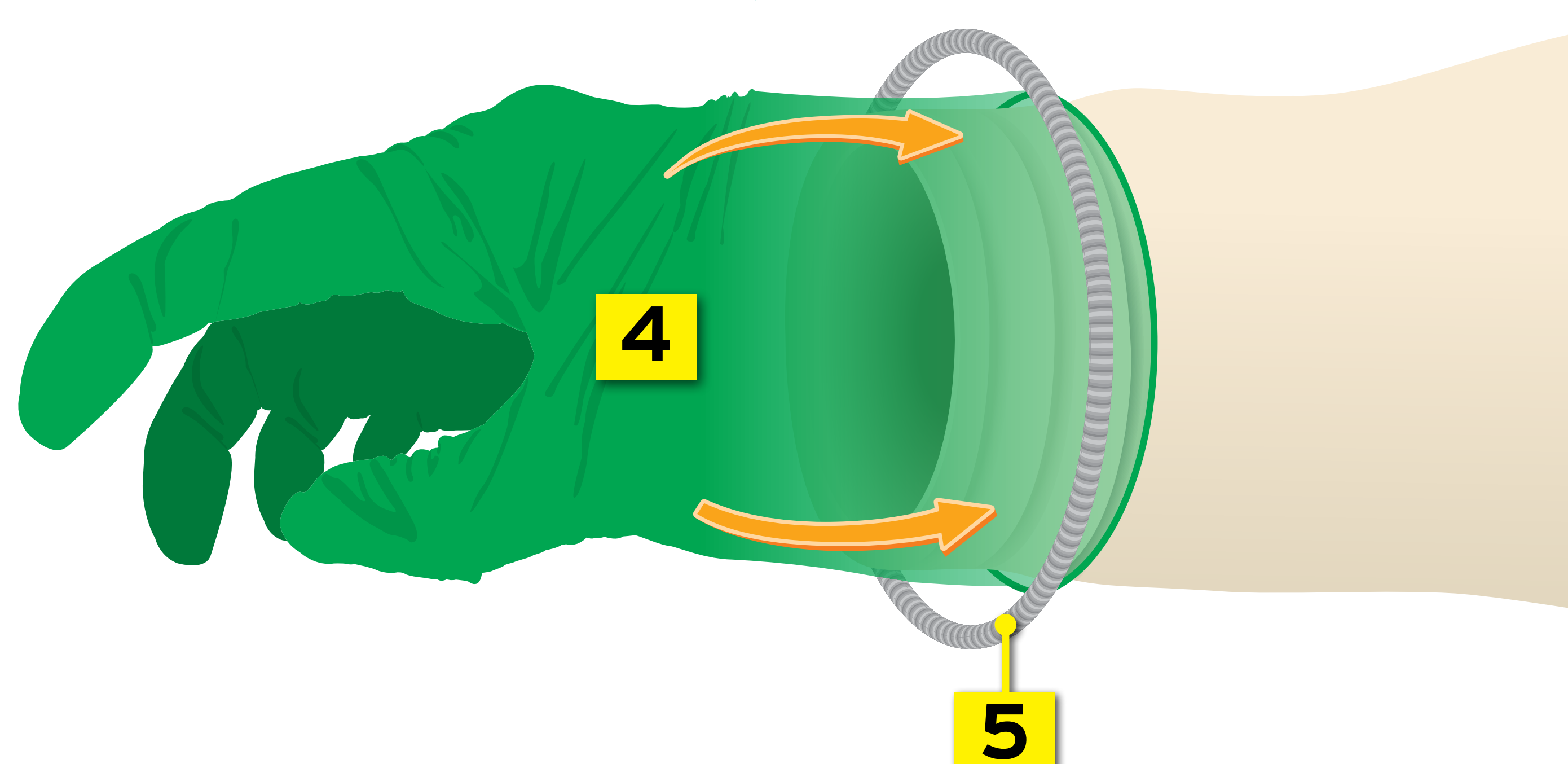
B

- [2] **Remove Holding Spring**
- [3] **Remove and Dispose of Old Glove**



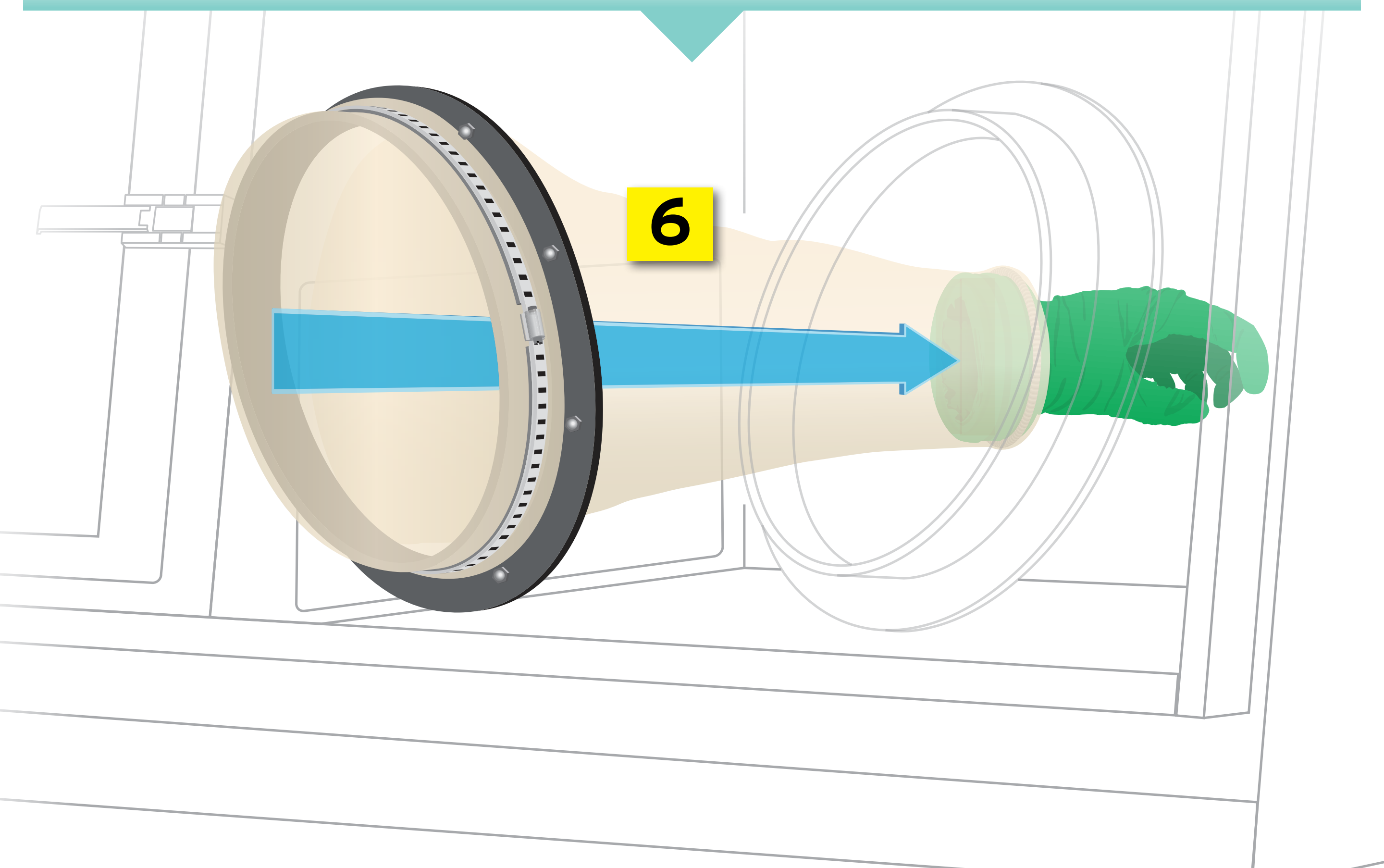
C

- [4] **Attach New Glove**
- [5] **Re-Seat Holding Spring**



D

- [6] **Push Glove and Sleeve Back into Work Area**



PHARMAGARD ES



NuAire, Inc. | nuaire.com