

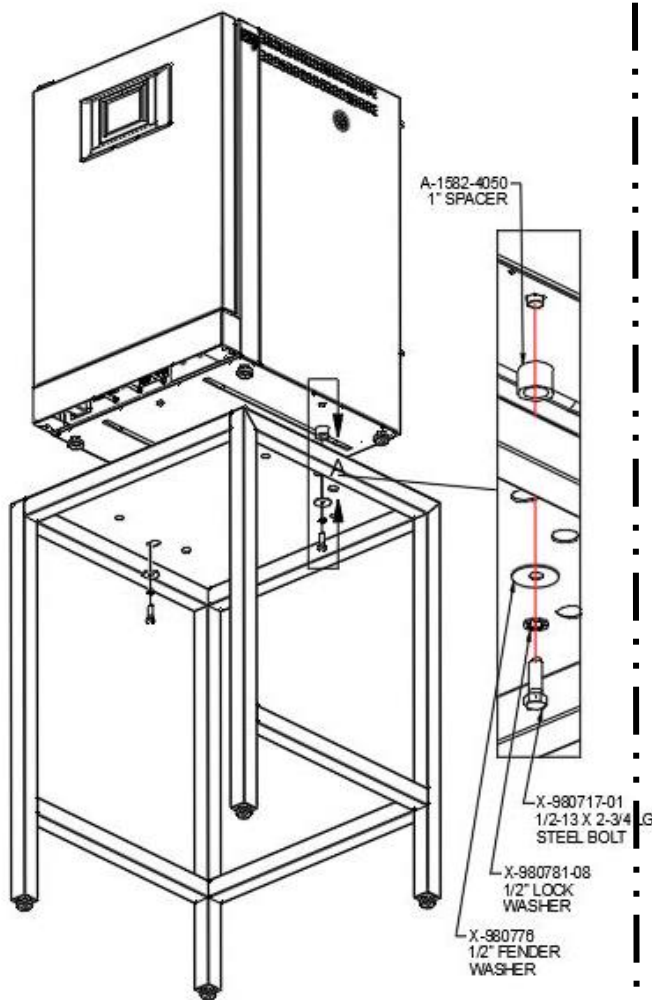


ACCESSORY INFORMATION

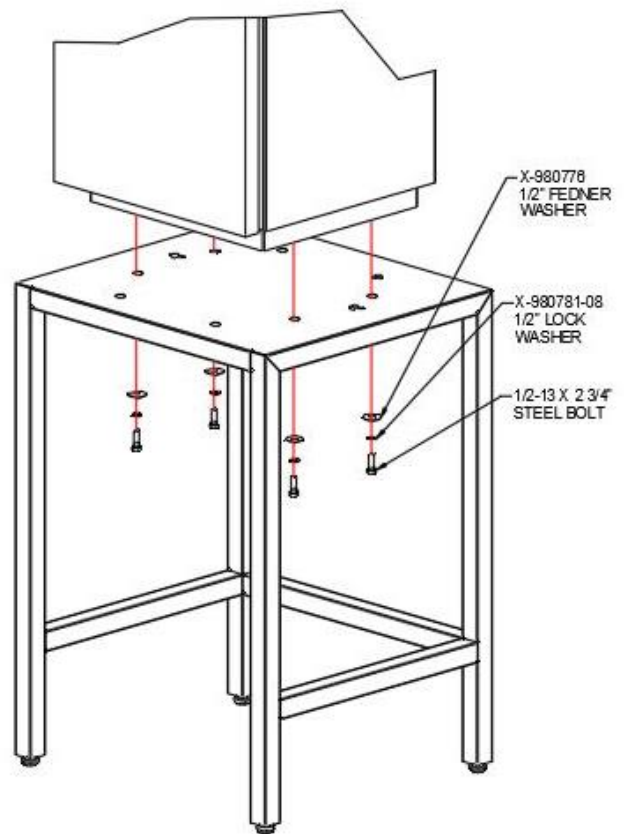
NU-1553 TWO UNIT STACKER OPERATION AND MAINTENANCE MANUAL

The NU-1553 stacking rack is designed to support a second Autoflow or In-VitroCell™ incubator over the top of the first one when purchased separately. The hardware shown below for each model is included with the stacking rack.

Incubator Installation on the Stacking Rack



In Vitrocell Direct Heat and Water Jacketed
Models include:
NU-5800 Series,
NU-5700 Series and the
NU-5500 and the



Autoflow Direct Heat and Water Jacket
Models include:
NU-4750 Series,
NU-8600 Series.
NU-5510 Series.

WARRANTY

NuAire, Inc. warrants that it will repair F.O.B. its factory or furnish without charge F.O.B. its factory, a similar part to replace any material in its equipment within 12 months after the date of sale if proved to the satisfaction of the company to have been defective at the time it was sold provided that all parts claimed defective shall be returned, properly identified to the company at its factory, charged prepaid. Factory installed equipment or accessories are warranted only to the extent guaranteed by the original manufacturer and this warranty shall not apply to any portion of the equipment modified by the user. Claims under this warranty should be directed to NuAire, Inc. setting forth in detail the nature of the defect, that date of the initial installation and the serial and model number of the equipment.

This warranty shall not apply to any NuAire product or part thereof which has been subject to misuse, abuse, accident, shipping damage, improper installation or service or damage by fire, flood or acts of God. If the serial number of the product is altered, removed or defaced as to be illegible, the warranty shall be null and void in its entirety.

The warranty is for the sole benefit of the original purchaser and is not assignable or transferable.

SHIPMENTS

NuAire takes every reasonable precaution to insure that your incubator arrives without damage. Motor carriers are carefully selected and shipping cartons have been specially designed to insure your purchase. However, damage can occur in any shipment and the following outlines the steps you should take on receipt of a NuAire incubator to be sure that if damage has occurred, the proper claims and actions are taken immediately.

DAMAGED SHIPMENTS

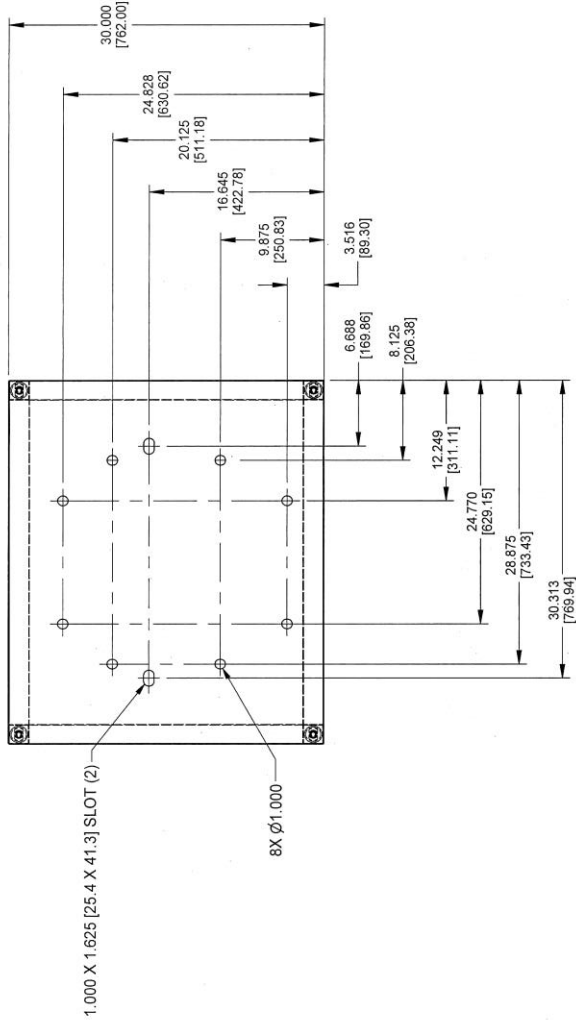
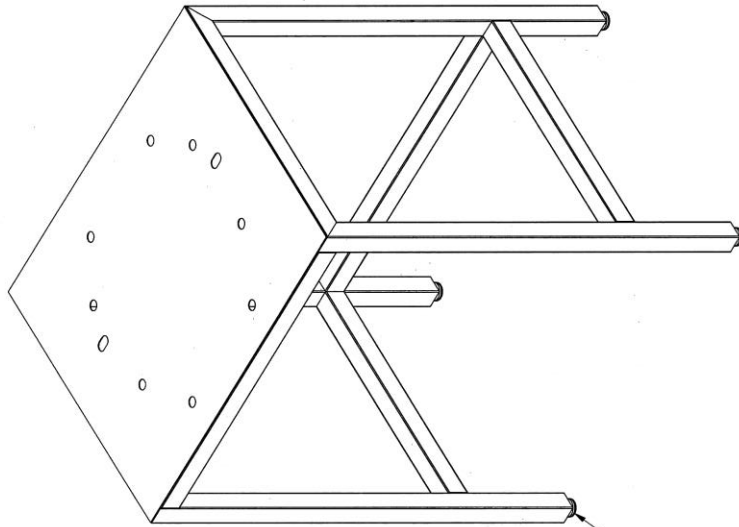
Terms are factory, unless stated otherwise. Therefore it is important to check each shipment before acceptance.

If there is visible damage, the material can be accepted after the driver makes a notation on the consignee's copy of the freight bill. Then an inspection must be made to verify the claim against the carrier. This inspection is the basis of your filing the claim against the carrier.

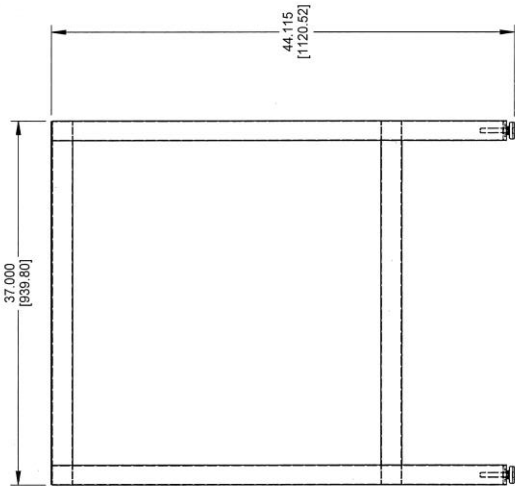
If concealed damage is found, it is absolutely necessary to NOTIFY THE FREIGHT AGENT AT ONCE, and request an inspection. Without this inspection, the transportation company may not accept a claim for loss or damage. If the carrier will not perform the inspection, an affidavit must be prepared stating that he was contacted on a certain date and that he failed to comply with the request. This along with other papers in the customer's possession will support the claim

REV	ECO	DESCRIPTION	DATE	DFTM	CHKD
C	13594	UPDATED PER PIECE PARTS	1/19/2018	TH	DSH

JCP



ADJUSTABLE LEG LEVER (4)
1.250 [31.8] MAX EXTENSION



ORIGINAL



TITLE		INCUBATOR SINGLE STACKING RACK	
DFTM L.S.	DATE	CHKD BP	SHEET 1 OF 1
DRAWING NUMBER		BCD-07950	
		C	

TOP INCUBATOR

	NU-57XXE 160L DH	NU-58XXE 200L DH	NU-86XXE 160L WJ	NU-55XXE 188L DH	NU-4X50E 188L WJ
NU-57XXE 160L DH	NU-5753	NU-1553	N/A	NU-1553	N/A
NU-58XXE 200L DH	NU-5753	NU-5753	N/A	N/A	N/A
NU-86XXE 160L WJ	NU-1553	NU-1553	163 PACK or NU-8653	NU-1553	N/A
NU-55XXE 188L DH	N/A	NU-5853	N/A	INCLUDED	N/A
NU-4X50E 188L WJ	NU-1553	NU-1553	NU-1553	NU-1553	NO BRACKET USED

BOTTOM INCUBATOR