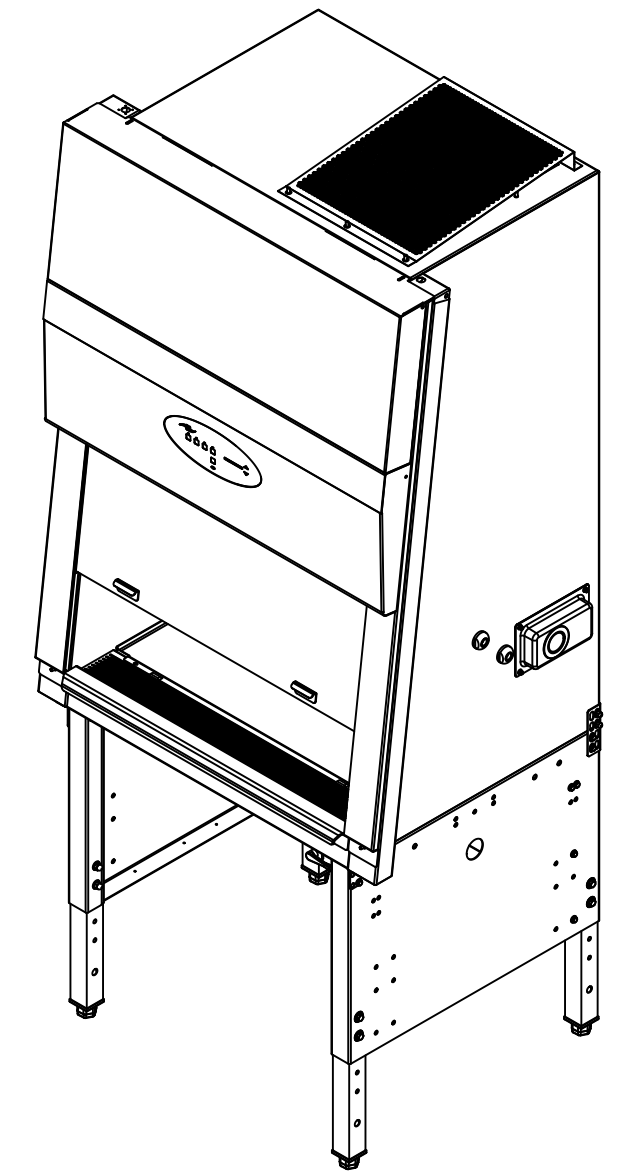
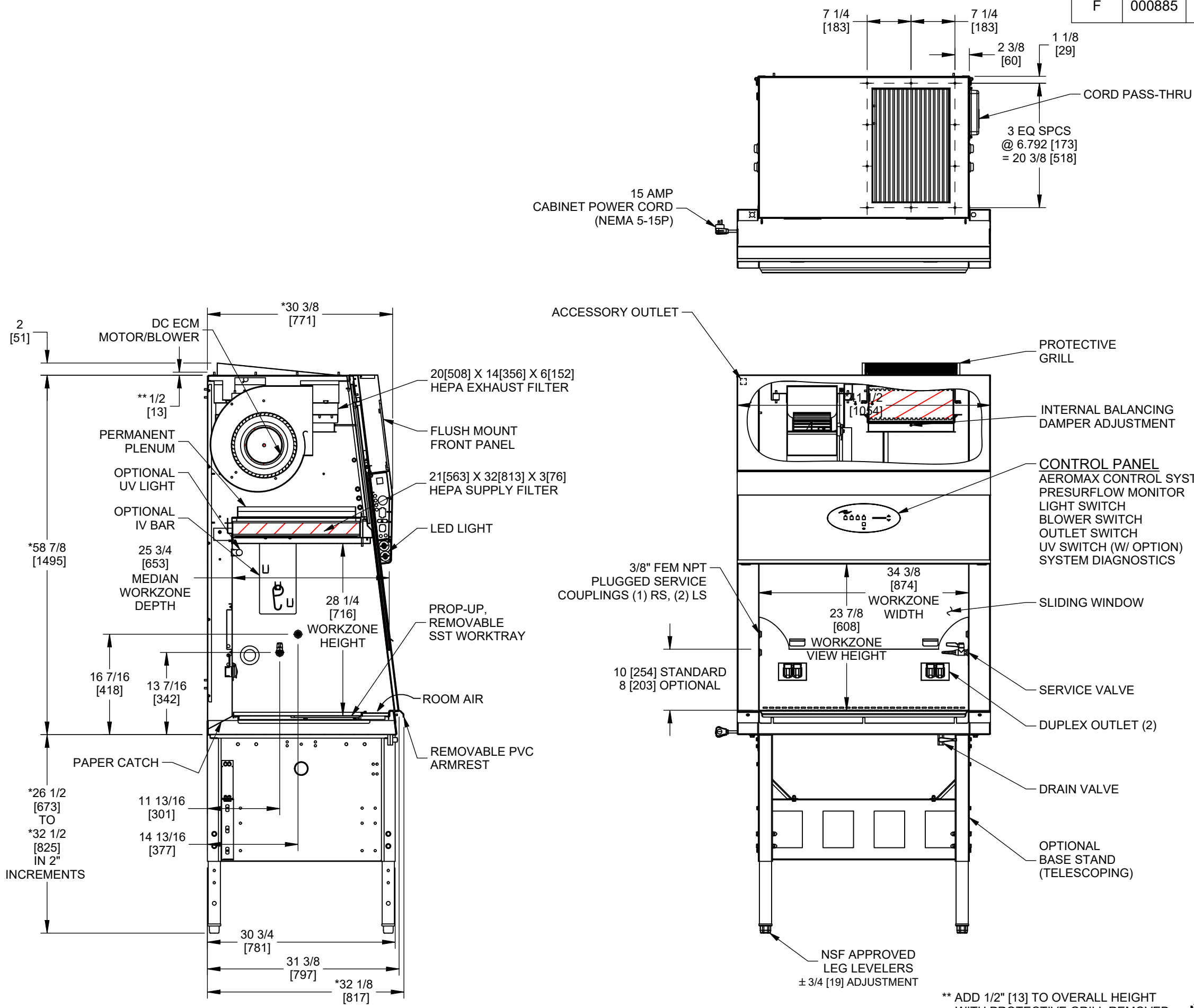


REV	CO	DESCRIPTION	DATE	DFTM	CHKD
F	000885	UPDATED LIGHTING, POWER CORD, WORKTRAY	12/15/2021	TH	DSH



* OVERALL DIMENSIONAL TOLERANCE ±1/4 [6.35]
ALL OTHER DIMENSIONS ±1/8 [3.17]

TITLE NU-540-300 Class II, Type A2 Biosafety Cabinet					
DFTM LS	DATE 12/15/2013	CHKD BP	SHEET 1	OF 1	
DRAWING NUMBER BCD-16513			F		

** ADD 1/2" [13] TO OVERALL HEIGHT WITH PROTECTIVE GRILL REMOVED

INCH
MILLIMETER