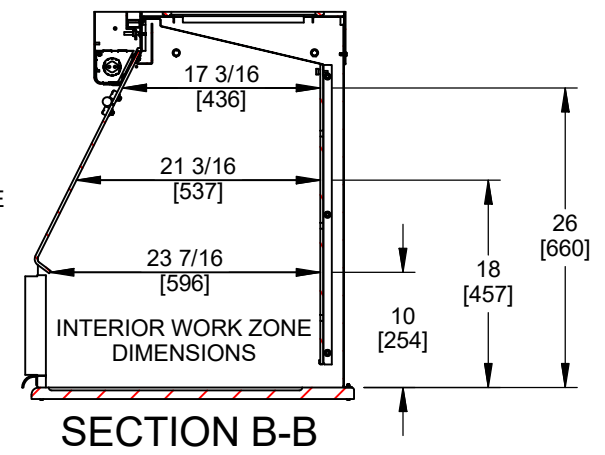
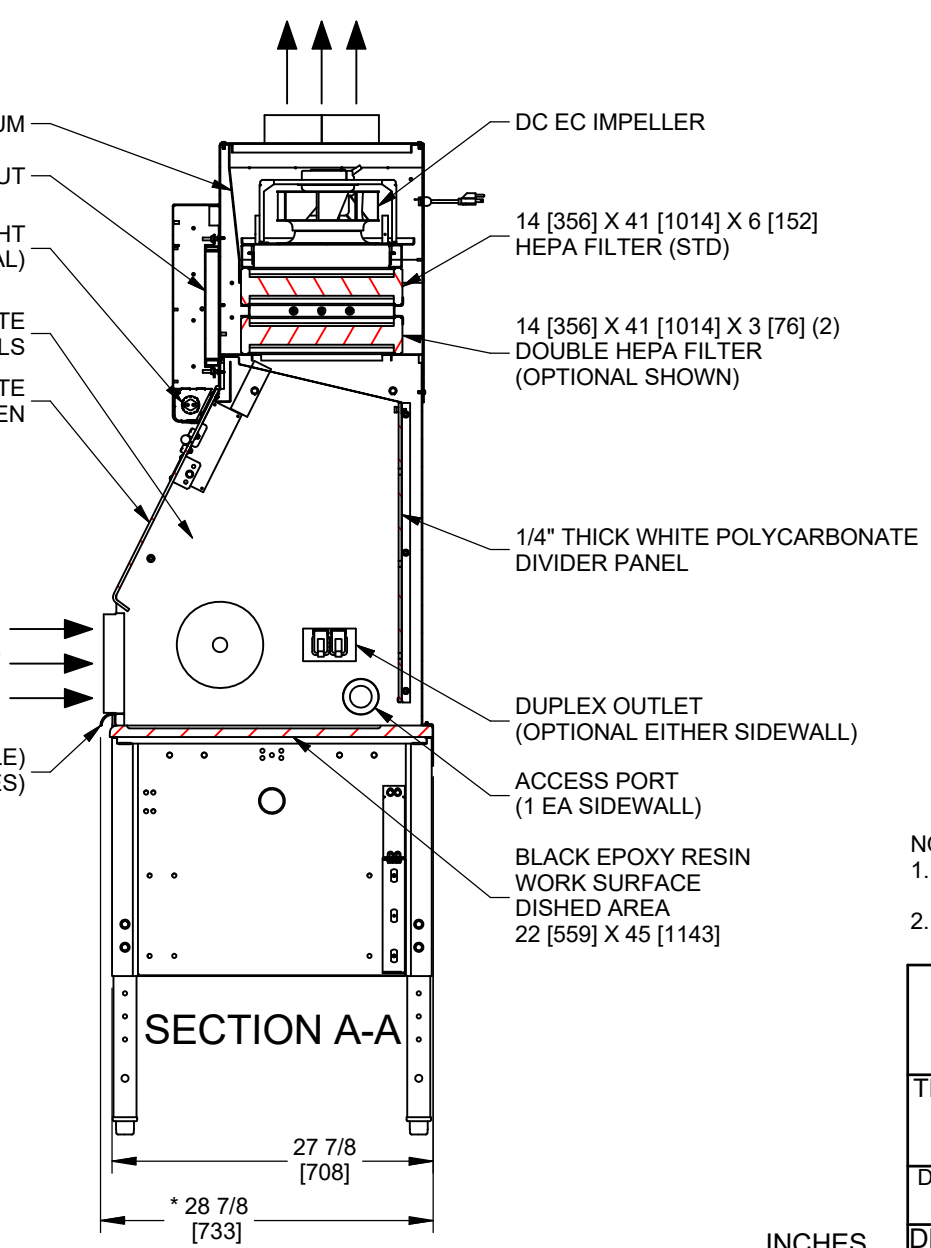
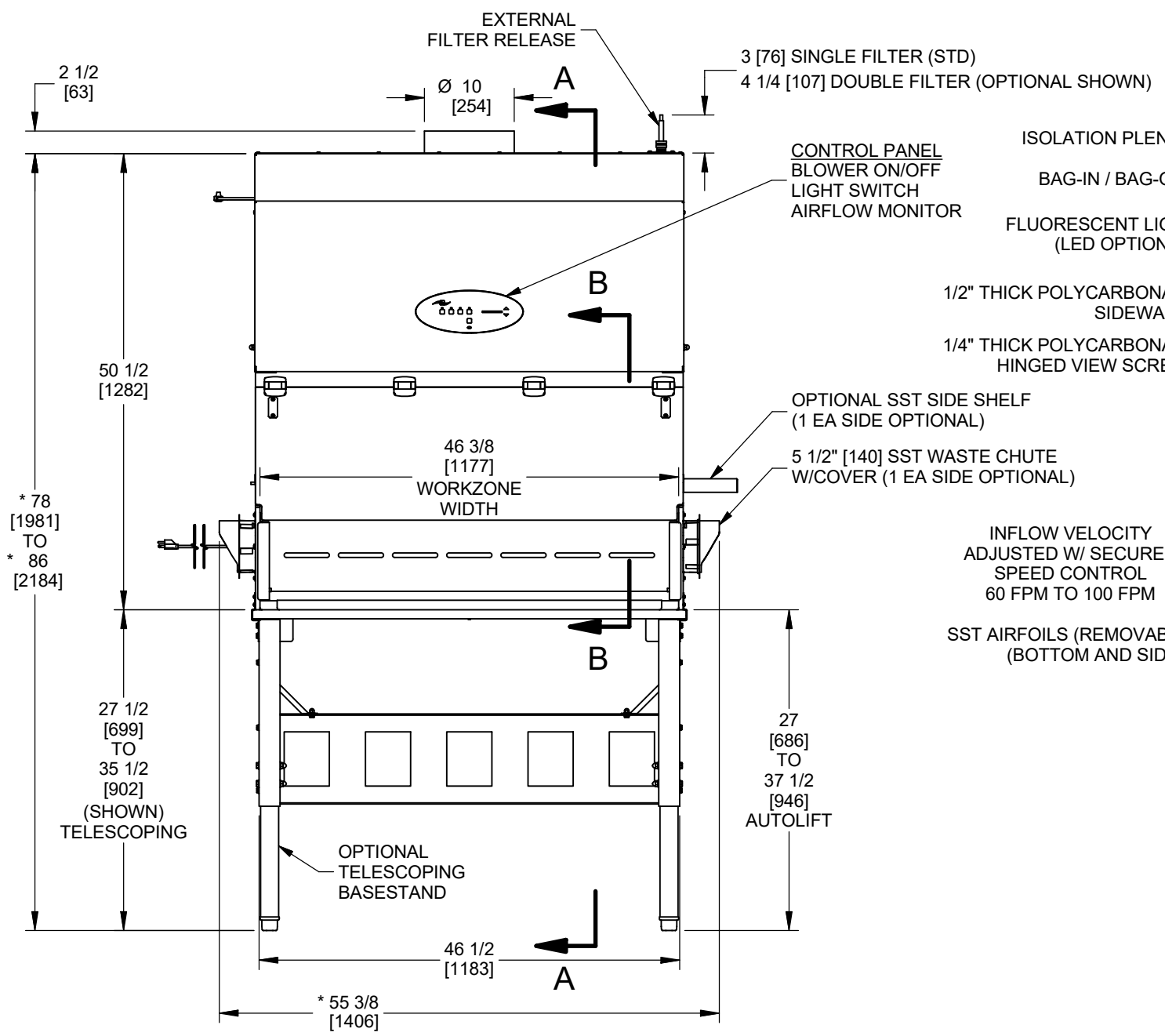
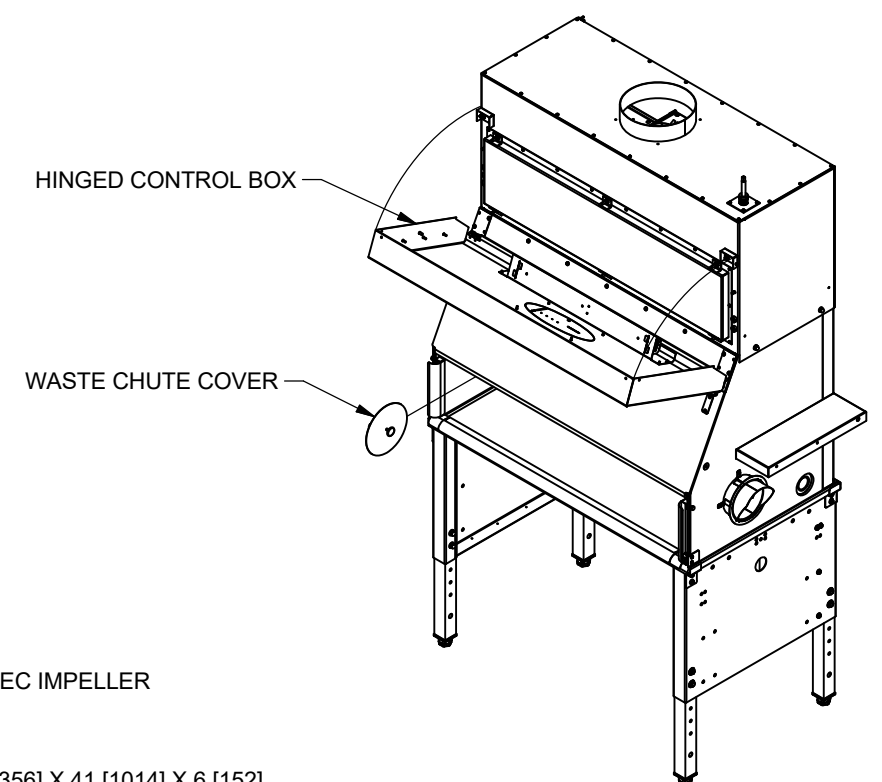
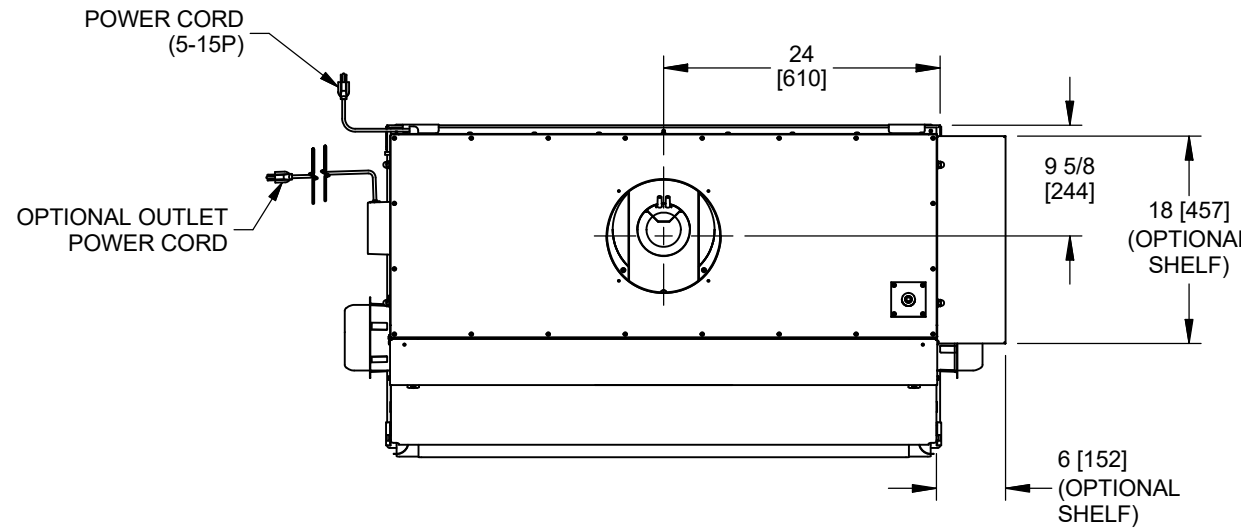


REV	ECO	DESCRIPTION	DATE	DFTM	CHKD
C	13915	UPDATED VIEWS, CORRECTED / ADDED DIMENSIONS	1/7/2019	TH	MSS



NOTES:  
 1. \* OVERALL DIMENSIONAL TOLERANCE ± 1/4 [6.35]  
 ALL OTHER DIMENSIONS ± 1/8 [3.17]  
 2. ALL ITEMS STANDARD UNLESS OTHERWISE SPECIFIED AS OPTIONAL.

TITLE NU-813-400 SERIES 33 CONTAINMENT VENTILATED ENCLOSURE					
DFTM LS	DATE 11/16/2016	CHKD MSS	SHEET 1	OF 1	
DRAWING NUMBER			BCD-18730		C

INCHES  
MILLIMETER