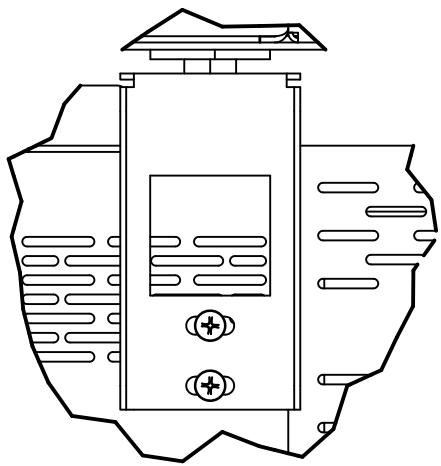
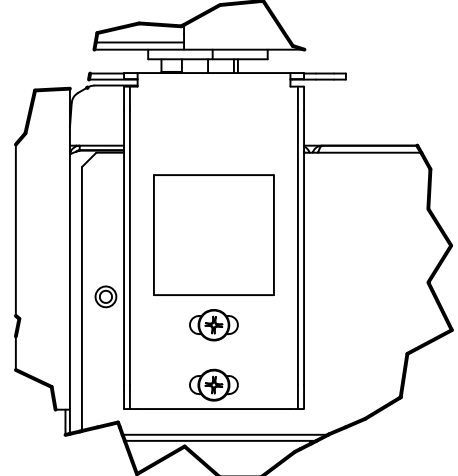


REV	ECO	DESCRIPTION	DATE	DFTM	CHKD
A	13428	RELEASED TO PRODUCTION	7/27/2017	TH	JCP

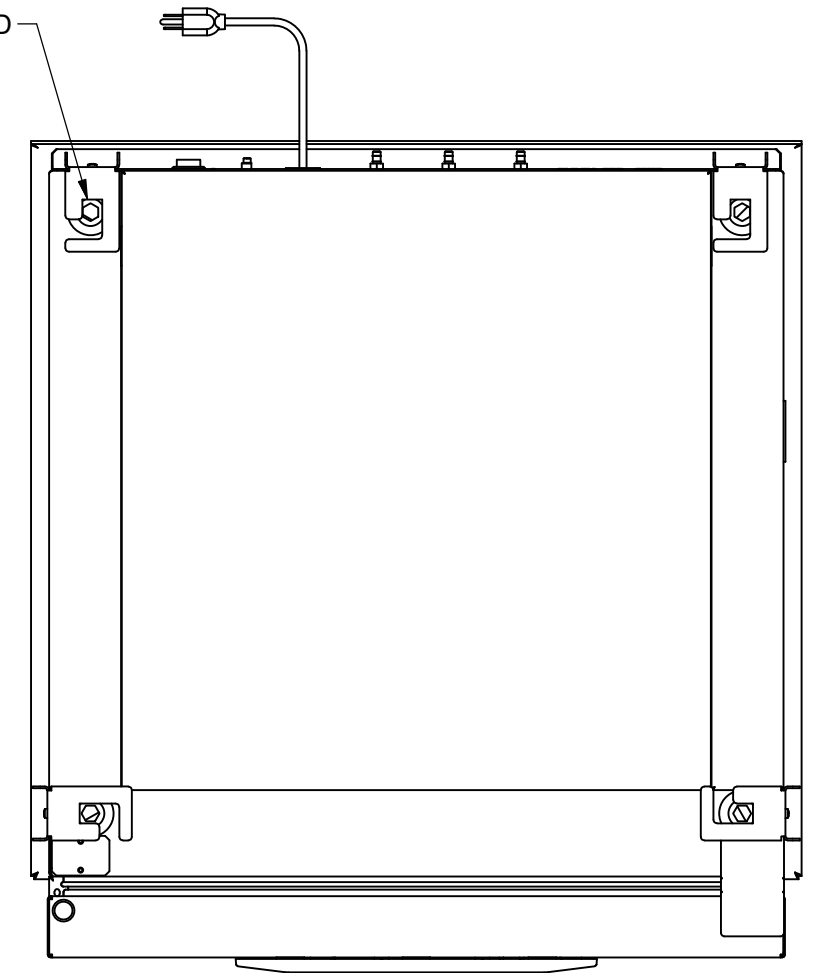


DETAIL B
(BOTH SIDES)

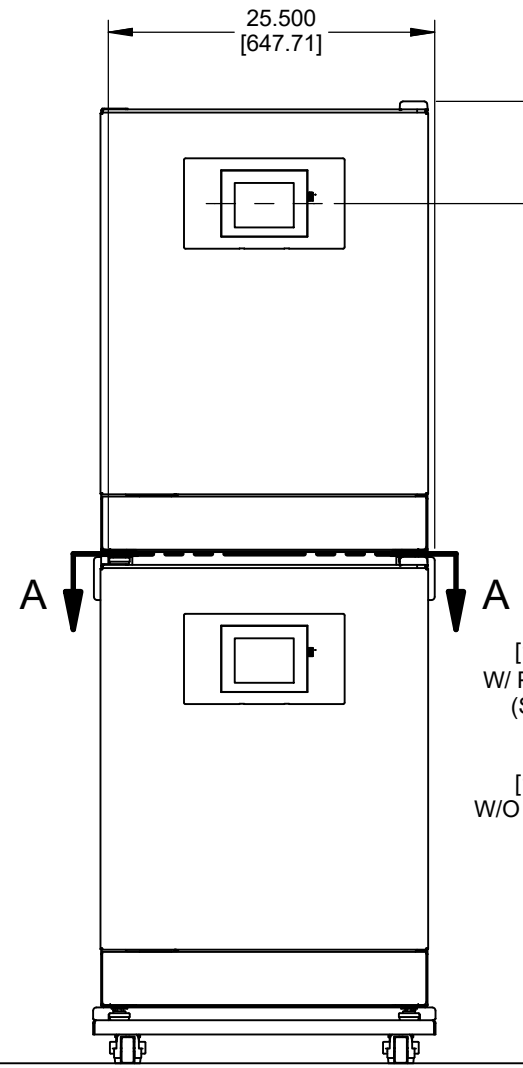


DETAIL C
(2 PLACES)

HOOK STACKING BRACKETS AROUND
UPPER INCUBATOR FEET AS SHOW
BEFORE SECURING TO LOWER UNIT



SECTION A-A

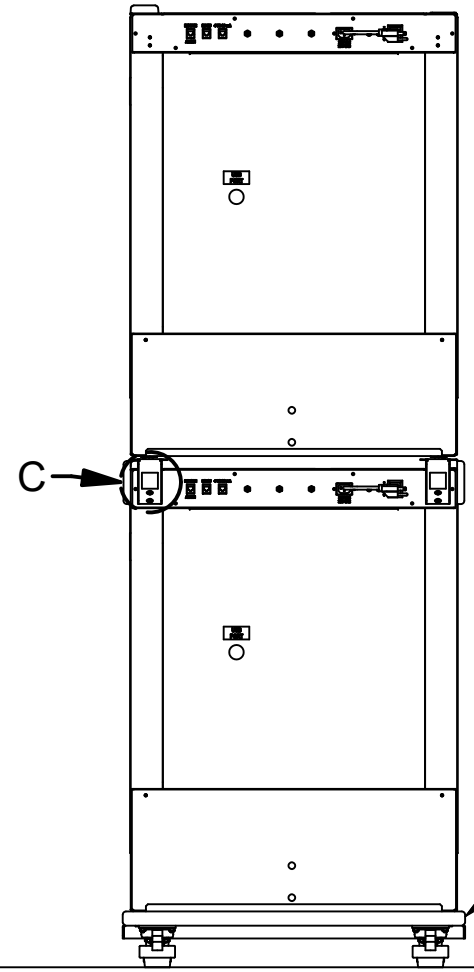
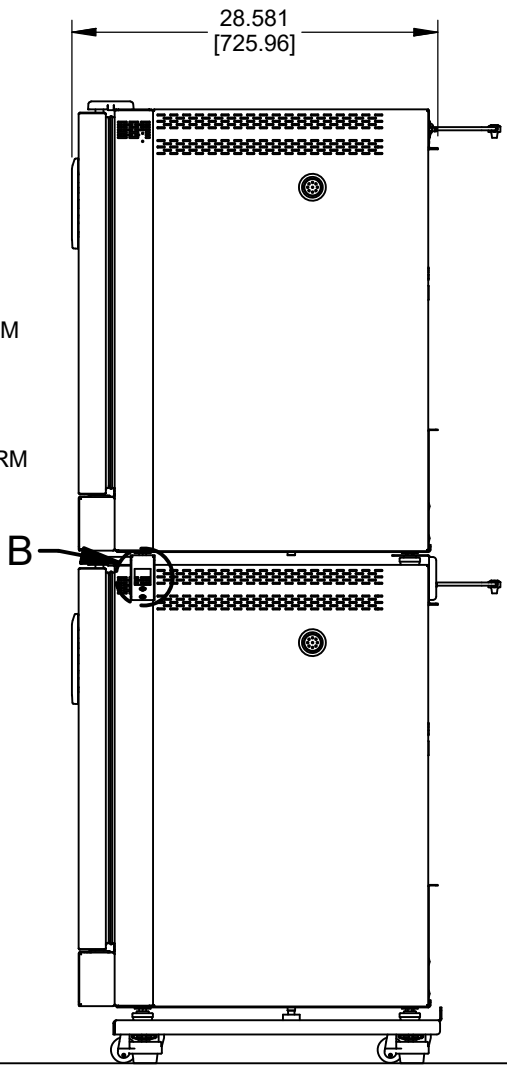


75.128
[1908.24]
W/ PLATFORM
(SHOWN)

71.773
[1823.02]
W/O PLATFORM

67.150
[1705.62]
W/ PLATFORM
(SHOWN)

63.795
[1620.41]
W/O PLATFORM



FOR INSTALLATION
OF CASTOR PLATFORM
SEE BCD-13189

- NOTE:
- WHEN STACKING, USE NO FEWER THAN 2 PEOPLE.
 - WHEN STACKING, LOAD TOP INCUBATOR FROM BACK OR SIDE OF BASE INCUBATOR TO PREVENT DAMAGE TO TOUCH SCREEN.
 - POSITION TOP INCUBATOR BEFORE INSTALLING BRACKETS.

TITLE					
NU-57XX STACKED					
DFTM	DATE	CHKD	SHEET	1	OF 1
TH	7/27/2017	JCP			
DRAWING NUMBER			BCD-19182		A