

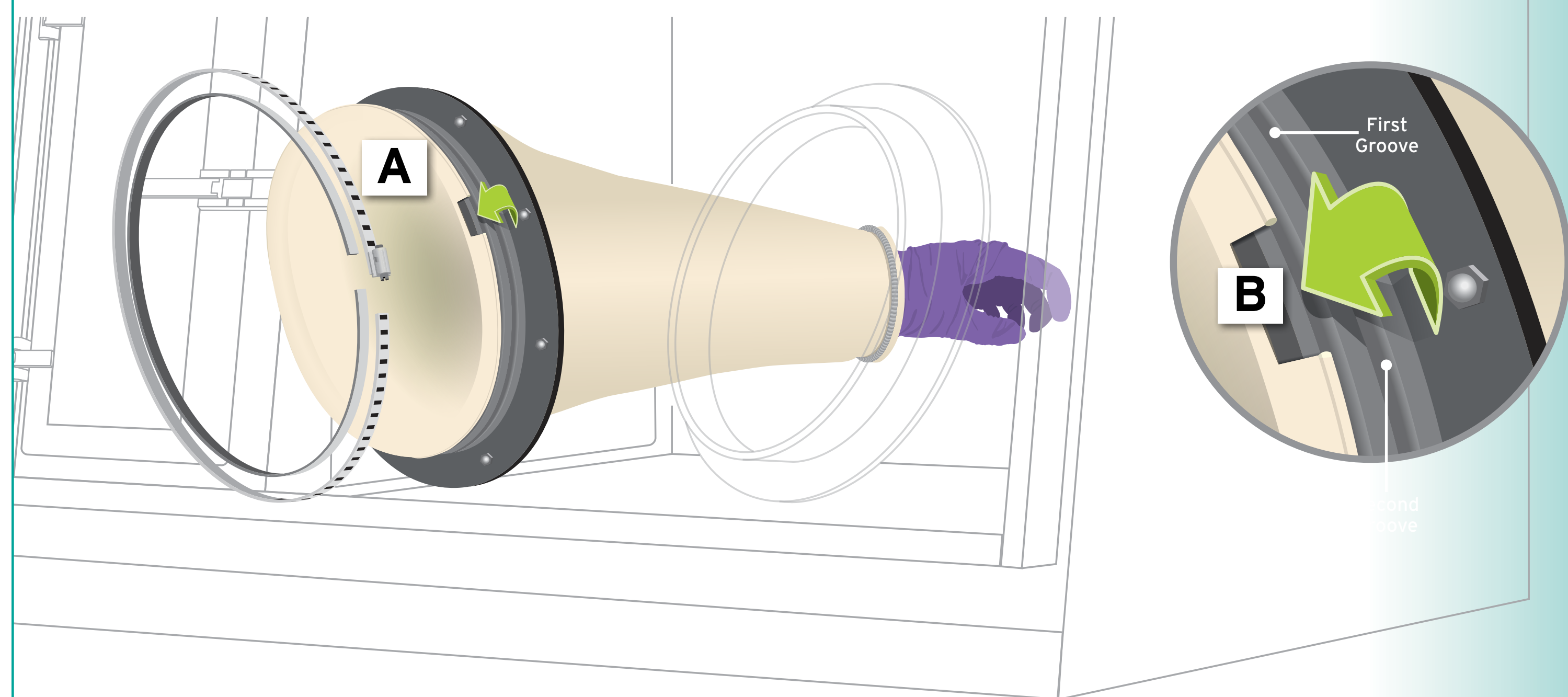
# PHARMAGARD COMPOUNDING ASEPTIC CONTAINMENT ISOLATOR (HAZARDOUS)

## SLEEVE CHANGING PROCEDURE

Leave Isolator running for safety in case of accidental breach in sleeve/glove changing procedures.

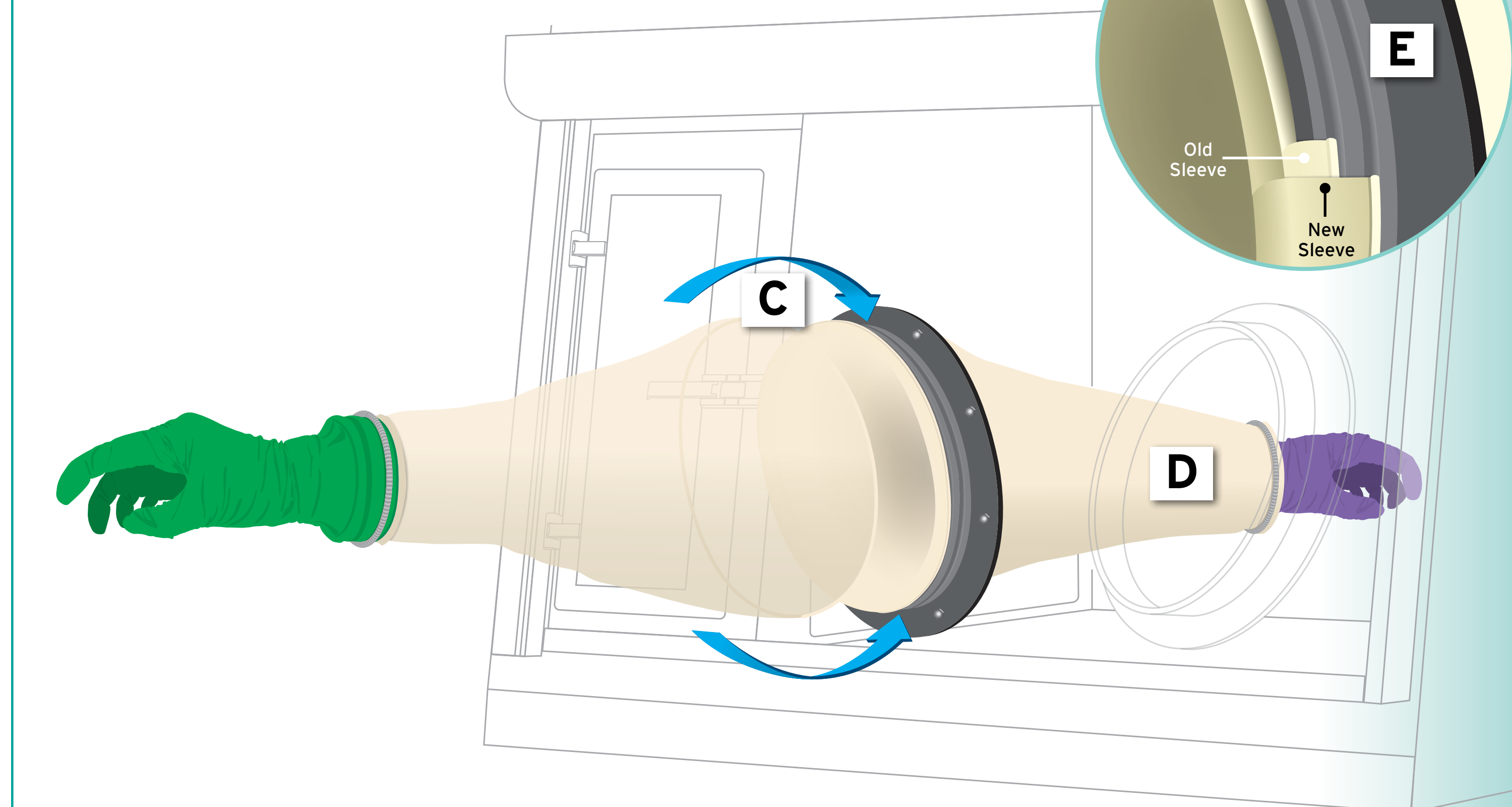
### 1 Remove Band Clamp & Sleeve Protector [A]

Pull sleeve cord into first groove on port. [B]



### 2 Attach New Glove / Sleeve Assembly [C] Over Old Glove / Sleeve Assembly [D]

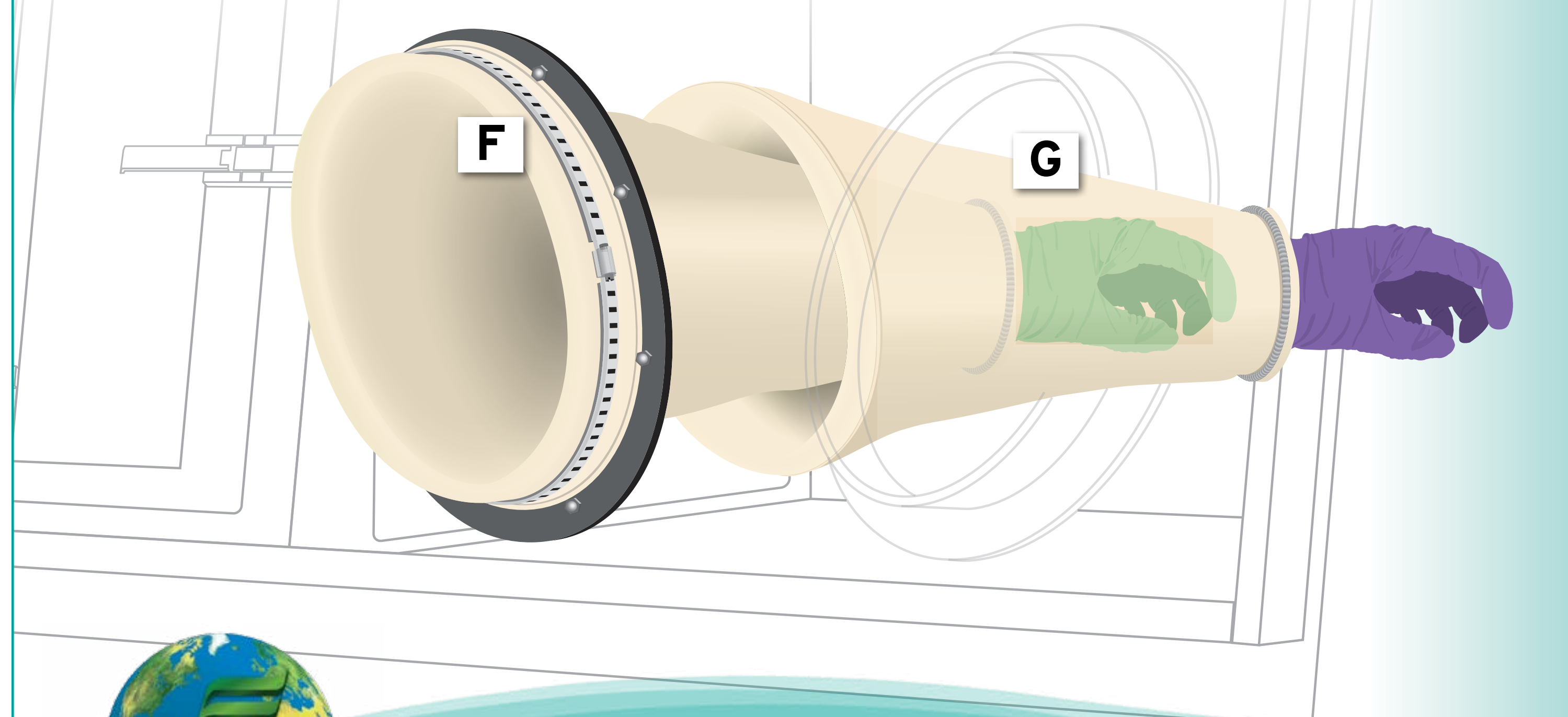
Seat new sleeve cord in the second groove. [E]



### 3 Reattach Band Clamp & Sleeve Protector [F]

### 4 Remove Old Glove / Sleeve [G]

Using the other glove/sleeve assembly, reach into work area and pull the old glove / sleeve out of the first groove into cabinet and dispose of properly.



## GLOVE CHANGING PROCEDURE

Leave Isolator running for safety in case of accidental breach in sleeve/glove changing procedures.

### A Invert Glove and Sleeve [1]

Place hand into glove and pull out through port.

### B Push Glove into Sleeve [2]

### C Remove Holding Spring [3]

### D Move Glove Cord Into First Groove of Glove-Sleeve Ring [4]

Take care not to allow glove to slip out of the first groove to prevent exposure to contaminated interior surfaces.

### E Attach New Glove Over Old Glove [5]

Secure the cord of the new glove past the second groove on the glove-sleeve ring.

### F Return Holding Spring to Second Groove on Glove-Sleeve Ring [6]

### G Push New Glove Inside Old Glove and Into Sleeve [7]

Old glove is contained inside the sleeve, and outside the new glove.

### H Push Glove and Sleeve Back into Work Area [8]

Place hand into new glove, push glove(s) and sleeve into interior.

### I Remove Old Glove [9]

Using the other glove/sleeve assembly, reach into work area and pull the old glove away from the new glove, and dispose of properly. A finger may be used around the glove-sleeve ring to relieve pressure around the old glove.

