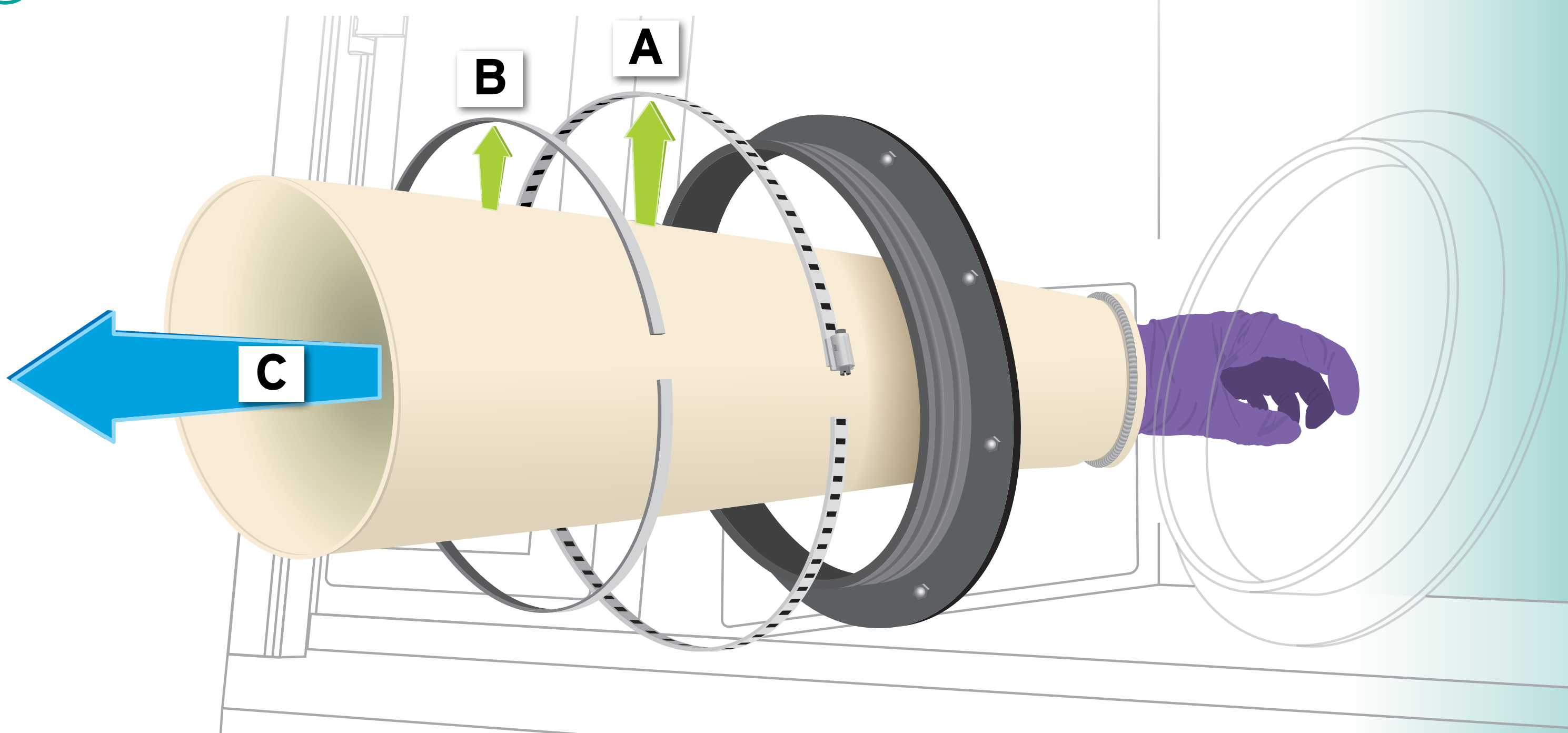


SLEEVE CHANGING PROCEDURE

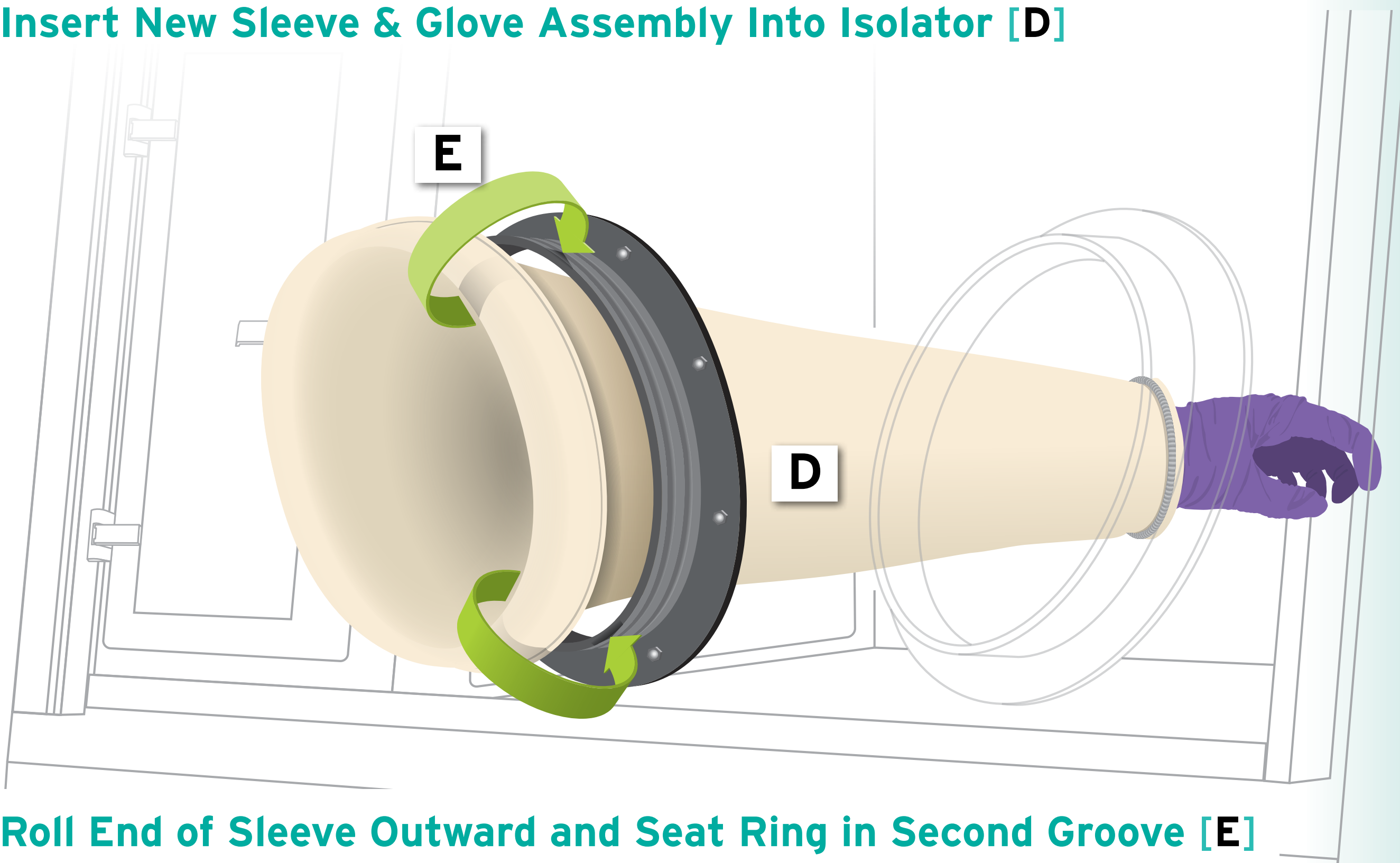
GLOVE CHANGING PROCEDURE

1 Remove Band Clamp [A] & Sleeve Protector [B]



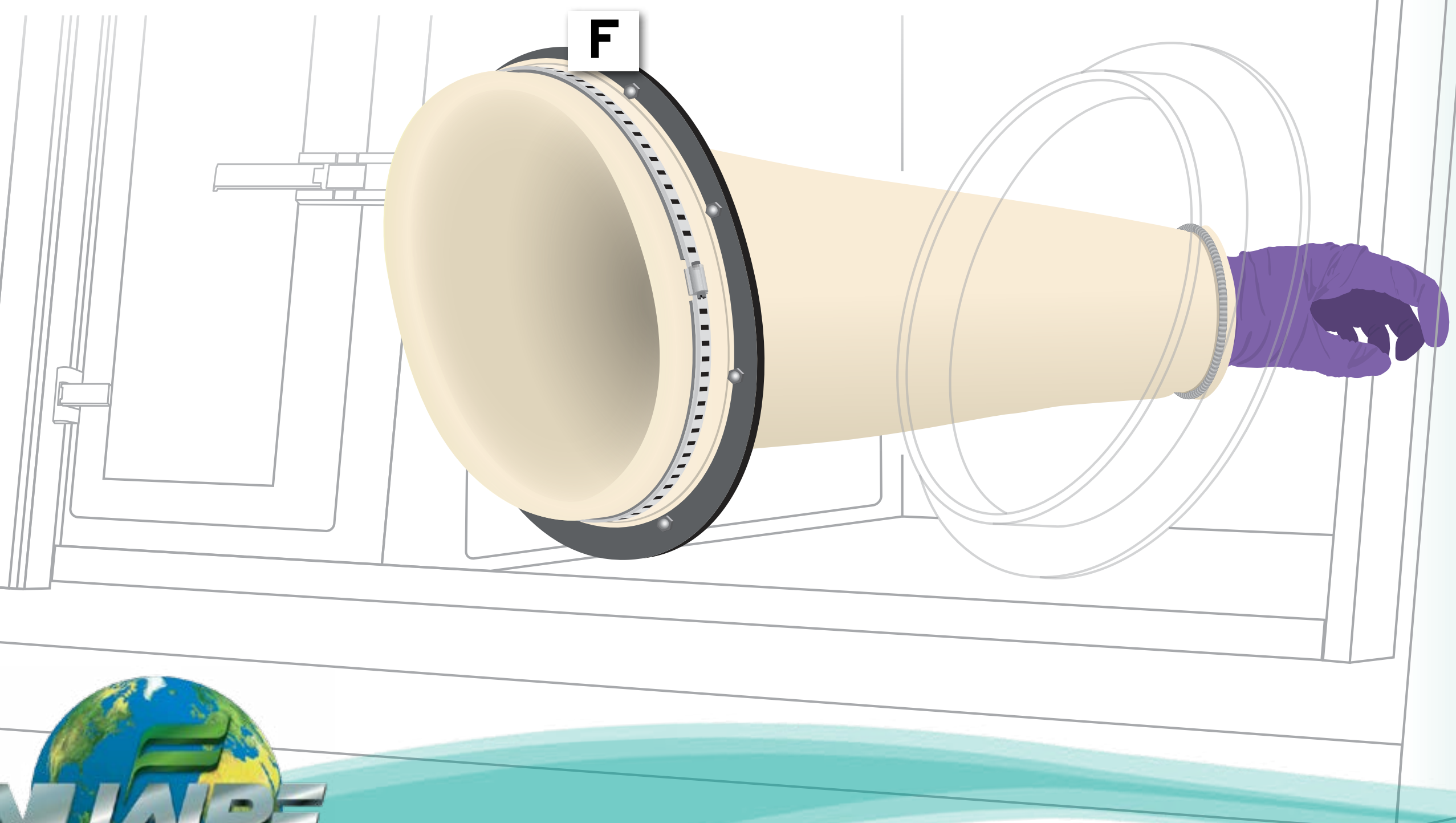
2 Remove Sleeve & Glove Assembly From Isolator [C]

3 Insert New Sleeve & Glove Assembly Into Isolator [D]



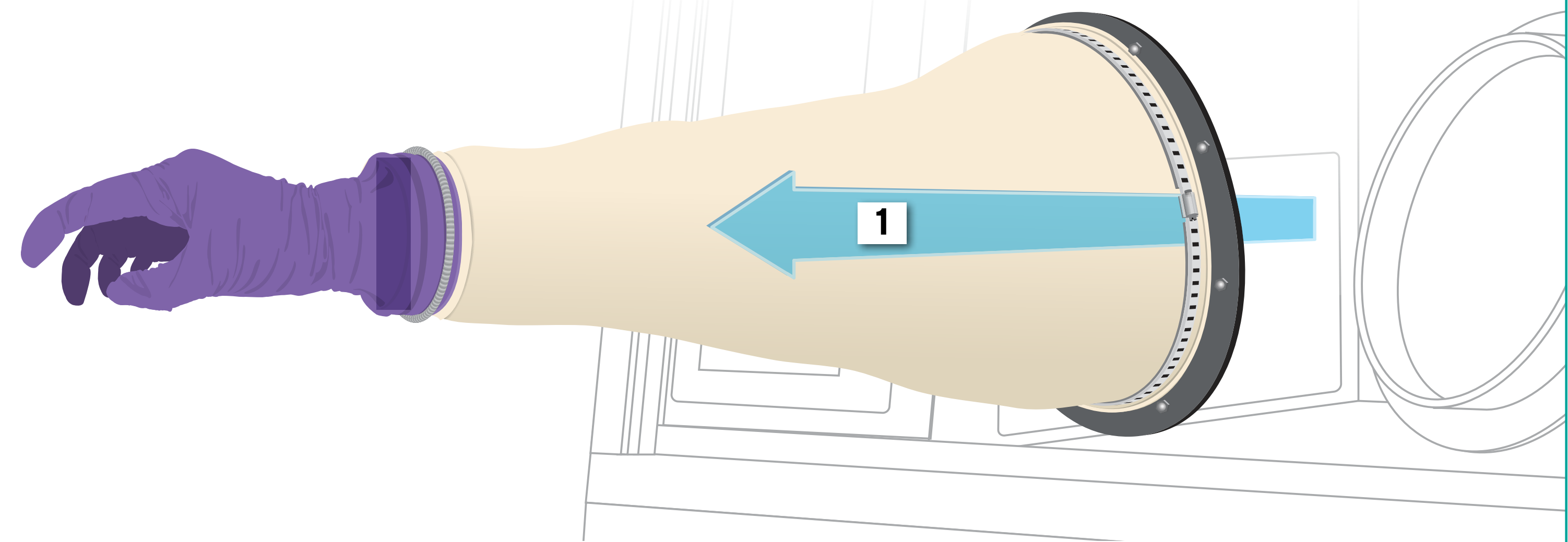
4 Roll End of Sleeve Outward and Seat Ring in Second Groove [E]

5 Secure Band Clamp & Sleeve Protector Around New Sleeve [F]

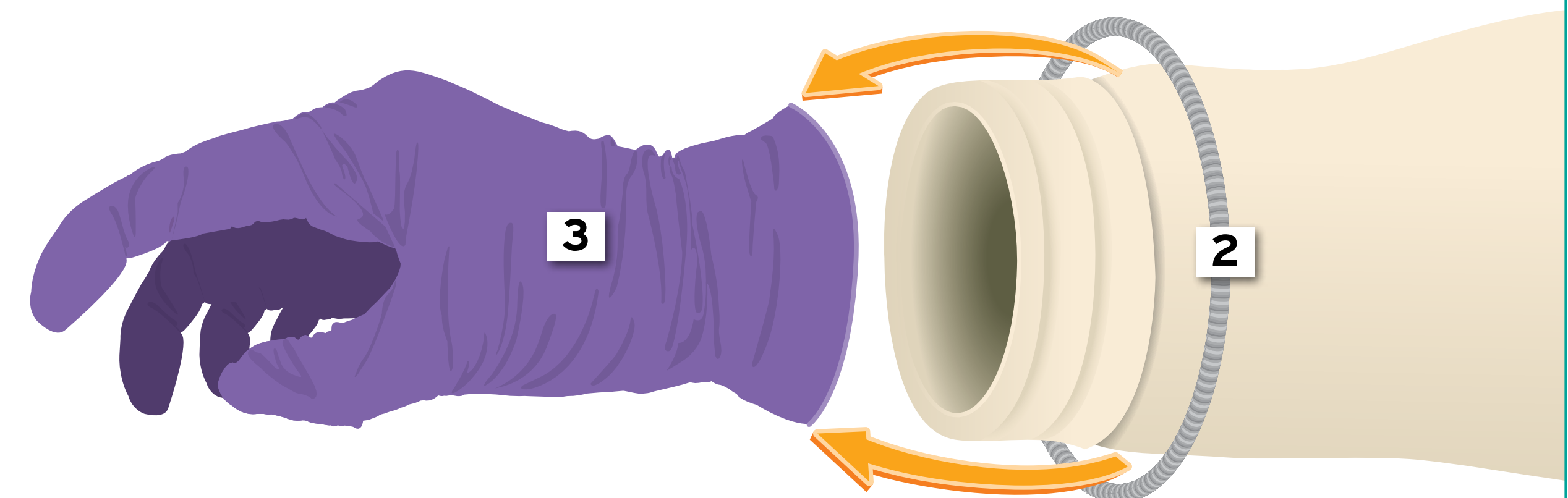


A Invert Glove and Sleeve [1]

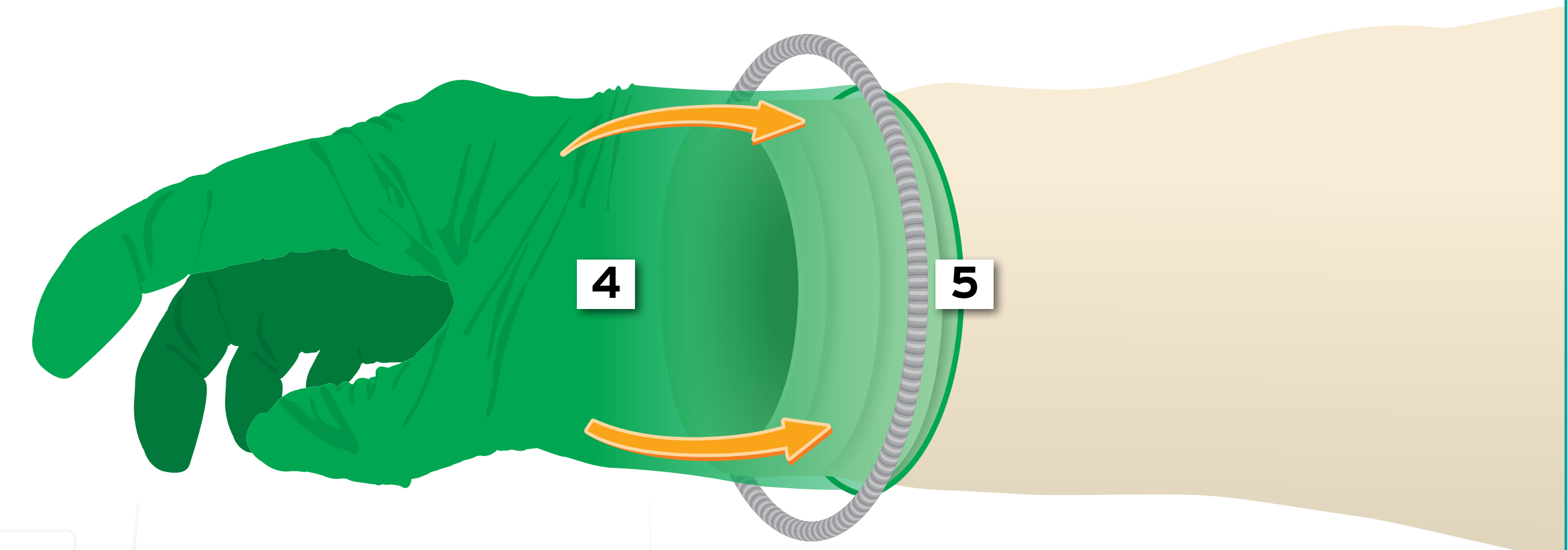
Place hand into glove and pull out through port.



B Remove Holding Spring [2] & Remove and Dispose of Old Glove [3]



C Attach New Glove [4] & Re-Seat Holding Spring [5]



D Push Glove and Sleeve Back into Work Area [6]

