

AIREVALV



STAINLESS STEEL BUTTERFLY VALVES



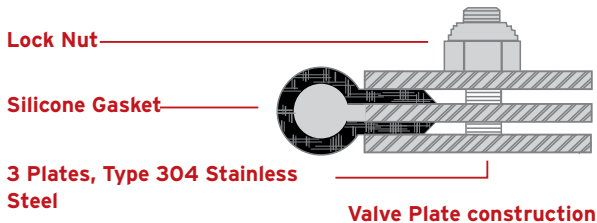
Best Products. Best Performance. Best Protection.

NuAire's Airtight **Stainless Steel Butterfly Valves** are available in a variety of sizes with configurations to direct and control airflow in heating, exhausting and air conditioning installations.

Construction

The valve body is constructed from 14 gauge, Type 304 stainless steel. Each is welded, machine ground and finished to ensure that the valve plate will seat into the valve body properly. One end of the valve is enlarged opening to accommodate the nominal duct diameter making the installation easier. All hardware designed into the valve is stainless steel.

The valve plate is of triple layer construction. Three circular plates of 16 gauge, Type 304 stainless steel firmly hold the gasket in place ensuring a long-lasting tight fit. The vulcanized black silicone gasketing has a long life-cycle and is extremely reliable.



Pressure Tested

Each valve is individually pressure tested to assure air tightness to 2 inches of water. An additionally water leak test is performed by filling the valve with a minimum of 3 inches of water and observing for leakage for a minimum of 10 minutes.

Full factory testing is your assurance of reliability. Each NuAire product is thoroughly inspected in our factory prior to final shipment and that's just the final step in a rigorous system of quality control—from superior designs and materials, to finished product and final testing for performance.



NuAire stainless steel butterfly valves are available in six different diameter size configurations: 6", 8", 10", 12", 14", and 15".

Manual Airtight Butterfly Valve

Manual Control The manual butterfly valve incorporates a lockable handle to open and close the valve. The heavy duty, PVC covered handle consists of a pointer to indicate percent open and setscrew to lock the damper in position.



Motorized Airtight Butterfly Valve

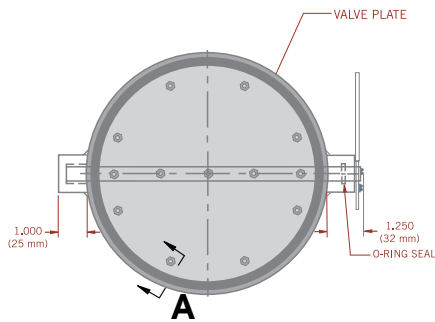
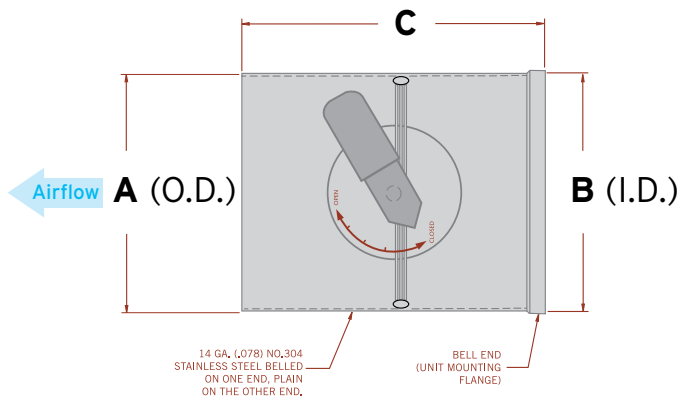
Motorized Control The automatic butterfly valve features the use of Belimo Actuators. Several varieties of Belimo® Actuators are available depending on the application. Consult NuAire engineering for assistance in choosing the correct butterfly valve and actuator.



NuAire offers two general types of airtight **Stainless Steel Butterfly Valves**:
Manual or Motorized Control.

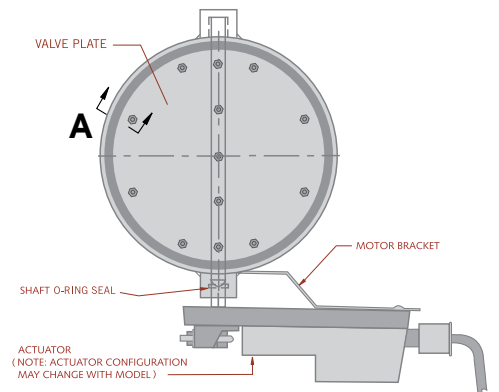
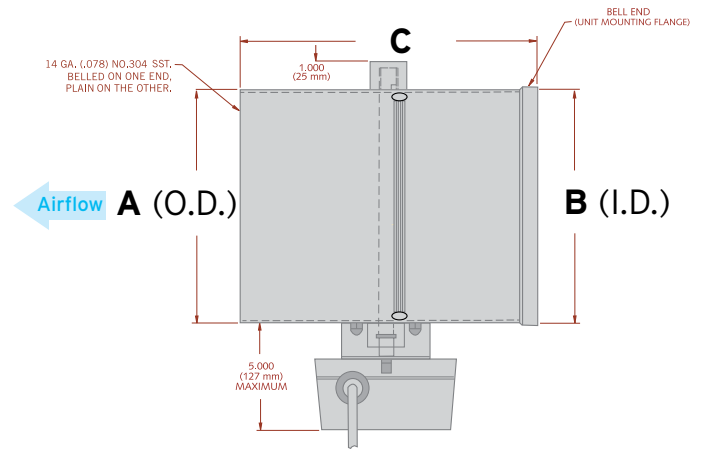
Manual Control Specifications

TAB	MODEL	A - O.D.	B - I.D.	'C'
-01	NU-940-006	6" (152mm)	6" (152mm)	8" (203mm)
-02	NU-940-008	8" (203mm)	8" (203mm)	10" (254mm)
-03	NU-940-010	10" (254mm)	10" (254mm)	10" (254mm)
-04	NU-940-012	12" (305mm)	12" (305mm)	12" (305mm)
-05	NU-940-014	14" (356mm)	14" (356mm)	14" (356mm)
-06	NU-940-015	15" (381mm)	15" (381mm)	15" (381mm)



Motorized Control Specifications

TAB	MODEL	A - O.D.	B - I.D.	'C'
-01	NU-95X-006	6" (152mm)	6" (152mm)	8" (203mm)
-02	NU-95X-008	8" (203mm)	8" (203mm)	10" (254mm)
-03	NU-95X-010	10" (254mm)	10" (254mm)	10" (254mm)
-04	NU-95X-012	12" (305mm)	12" (305mm)	12" (305mm)
-05	NU-95X-014	14" (356mm)	14" (356mm)	14" (356mm)
-06	NU-95X-015	15" (381mm)	15" (381mm)	15" (381mm)



Customer Sales and Service

NuAire sales and service extends throughout the world. We extend to you, our valued customer, a service concept unique in the market: "Dependability in a changing world."

Customer Sales and Service: 1-800-328-3352

Email: nuaire@nuaire.com

Web: www.nuaire.com



NuAire, Inc.
2100 Fernbrook Lane
Plymouth, MN 55447
U.S.A.
1.800.328.3352
www.nuaire.com