



NU-1582 Mobile Platform with Leg Leveling Casters For Invitrocell Incubators Operation and Installation Instructions

This accessory makes the incubator mobile for lab reorganization or cleaning. It accommodates all incubator models. It is equipped with smooth rolling castors that have built in leg levelers to add versatility in leveling and securing the equipment from moving during normal use. Parts included in this kit and Platform features:

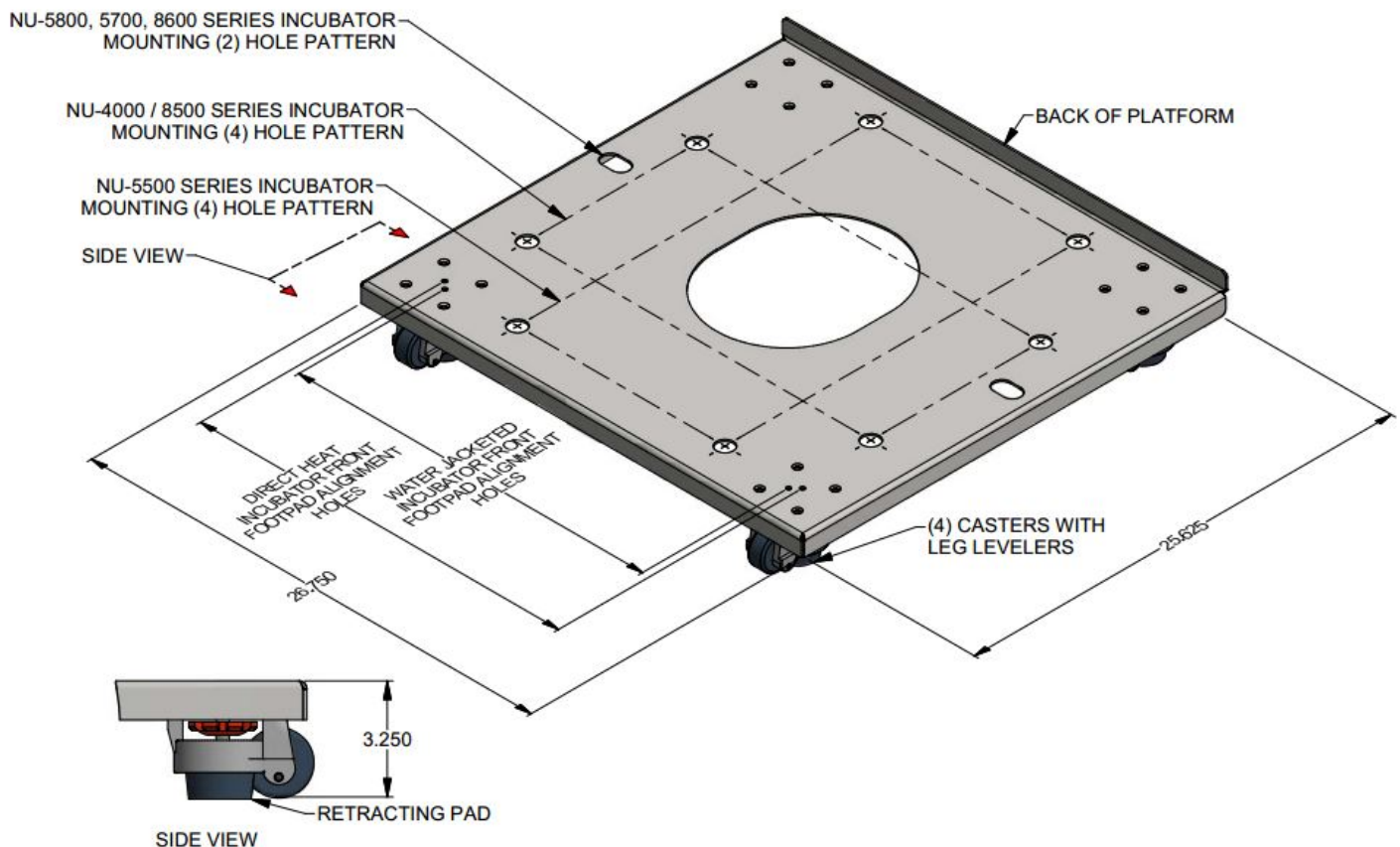


Figure 1

Platform installation instructions

General Notes:

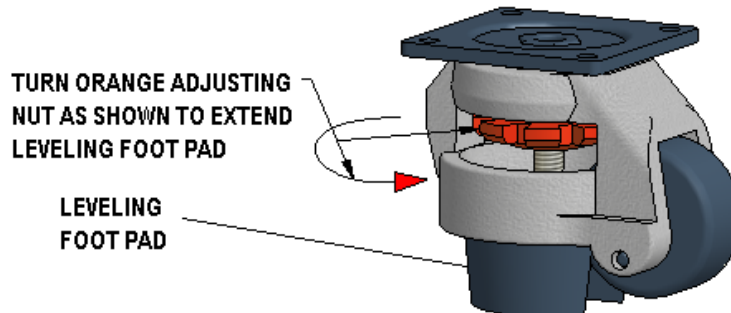
- Read and understand all instructions before installing the platform.
- Refer to the incubator operation manual for complete installation and startup instructions for the incubator.
- Do not fill incubator water jacket until incubator is installed, leveled, & secured to the platform where used.
- Align the front feet of the incubator with the appropriate alignment holes on the front of the platform.
- Included are separate hardware kits for each model series of incubator.
- **DO NOT LIFT UNIT WITH DOORS. THEY ARE MOUNTED ON SLIP HINGES AND WILL COME OFF.**

Platform Installation Instructions

1. Preparing the platform

Turn the large orange adjusting nut on the platform casters counter clock-wise to extend the footpads to the floor to immobilize the platform. The leveling pad only needs to be extended far enough to immobilize the platform.

EXTENDING THE LEVELING PAD ON THE CASTOR



Note: Incubator can be leveled on platform by adjusting the nylon bolts in the foot holes

2. Preparing the Incubator

The bottom of the incubator legs must be extended at least 1-1/4" below the nut that they are screwed into on the incubator as shown in the illustration. This amounts to turning the legs about 4-1/2 turns counter clock wise from the fully retracted position they are shipped in. This will insure that the 1/2-13 x 2/3/4" bolt used to secure the incubator to the platform doesn't bottom out before the incubator is secure. On the NU-5500, NU-5510 & NU-4750/4850/4950 models it is advantageous to continue to extend the feet to between 3/4 & 1 inch below the bottom of the incubator jacket to allow clearance for using a wrench to turn the foot by the hex on the stem when leveling the incubator.

NOTE: The legs should be extended prior to placing the incubator on the platform.

NOTE: If footpad turns loose on the threaded shaft, the hex on the stem of the leg can be turned with a wrench to extend or retract the foot.

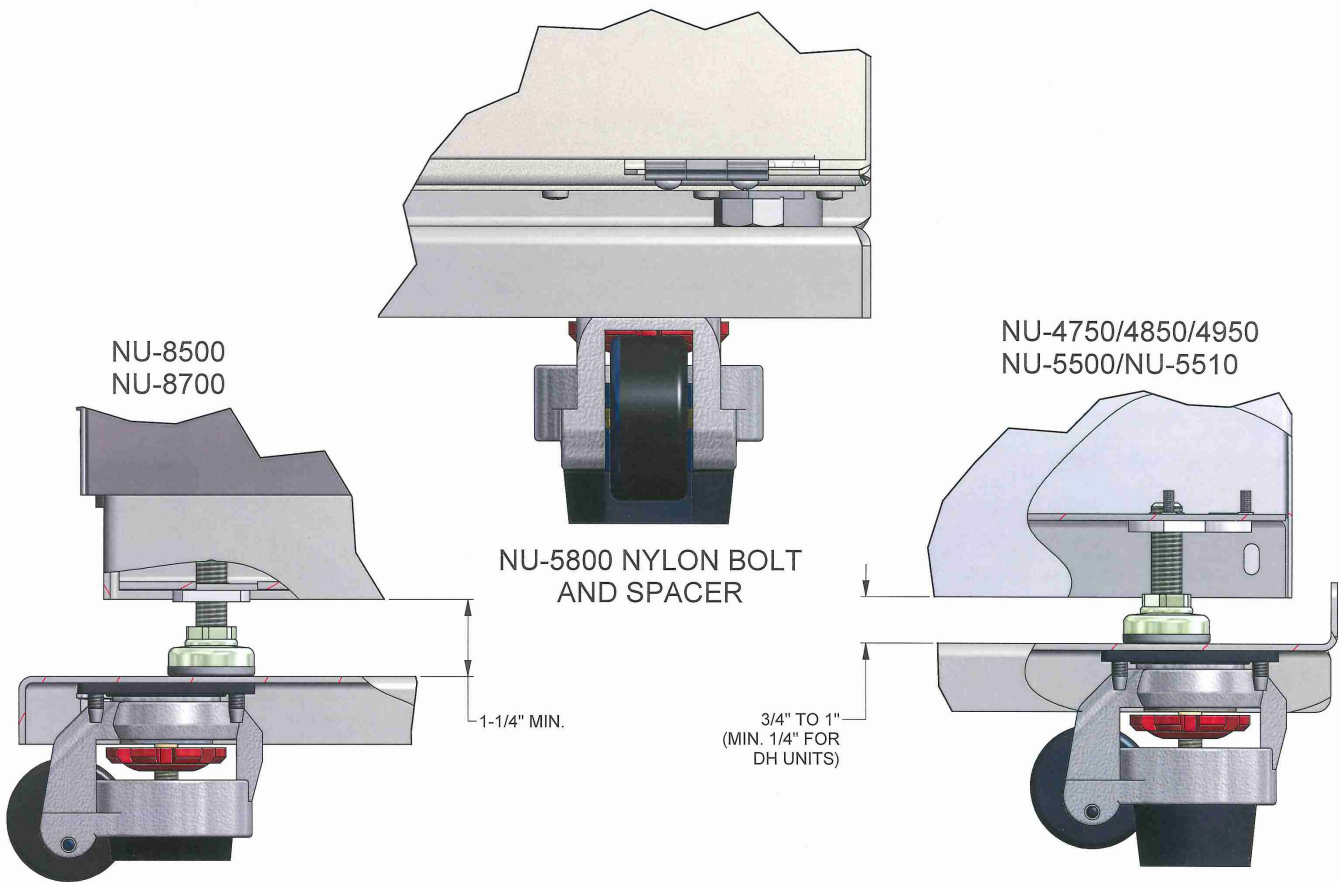
3. Installing the platform

Place the incubator on the platform (best method for installer). Line up the holes in the platform with the threaded nuts in the incubator. Install the fender washers on each of the 1/2 x 2-3/4" long bolts. Install the 4 bolts through the holes in the platform and screw them into the weld nuts in the bottom of the incubator to secure it to the platform. Refer to the illustrations on the right side of this page for the mounting configuration of each model. Do not over tighten bolts or damage may occur to the platform or incubator. Prior to securing the incubator it should be leveled on the platform by extending or retracting its' feet see step 2. To level properly, the incubator and the platform should be placed where it will be used.

3A Installing the platform (NU-4000, 5500, 8000 Series)

Place the incubator on the platform (best method for installer). Line up the incubator's front footpads with the appropriate alignment holes on the platform (see figure 1). Install the fender washers and lockwashers on each of the 1/2 x 2-3/4" long bolts. Install the 4 bolts through the holes in the platform and screw them into the weld nuts in the bottom of the incubator to secure it to the platform. Refer to the illustrations on the right side of this page for the mounting configuration of each model. Do not over tighten bolts or damage may occur to the platform or incubator. Prior to securing the incubator it should be leveled on the platform by extending or retracting its' feet see step 2. To level properly, the incubator and the platform should be placed where it will be used.

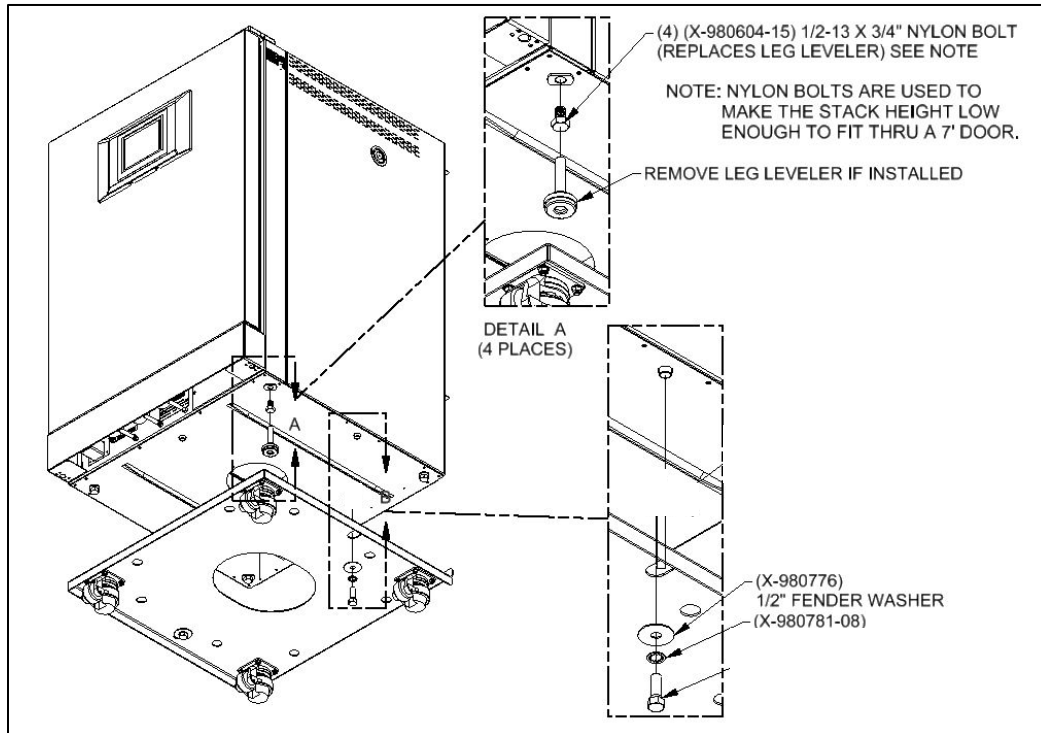
EXTENDING THE LEGS ON THE INCUBATOR



3B Installing the platform (NU-5500 Series)

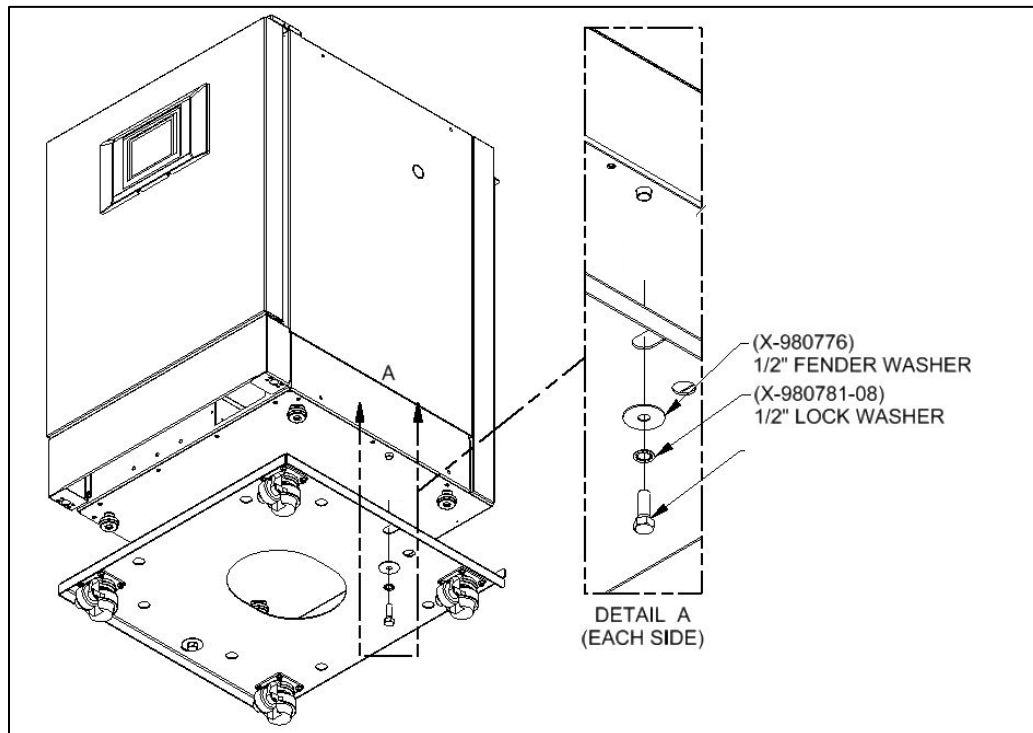
Remove leg leveler if installed and replace with nylon bolt (4) $\frac{1}{2}$ -13 x $\frac{3}{4}$ " (NU-5800 only). Line up the incubator's front nylon foot pads with the appropriate alignment holes on the platform. Add spacers (2) between incubator base and platform, and then attach bolts (see Figure 2) with fender and lockwashers into weldnuts of bottom of the incubator to secure. Do not over tighten bolts or damage may occur to the platform or incubator. Prior to final securing, the incubator should be on the platform by adjustment of nylon foot pads.

Figure 2
 NU-5800 Series Invitrocell Incubator



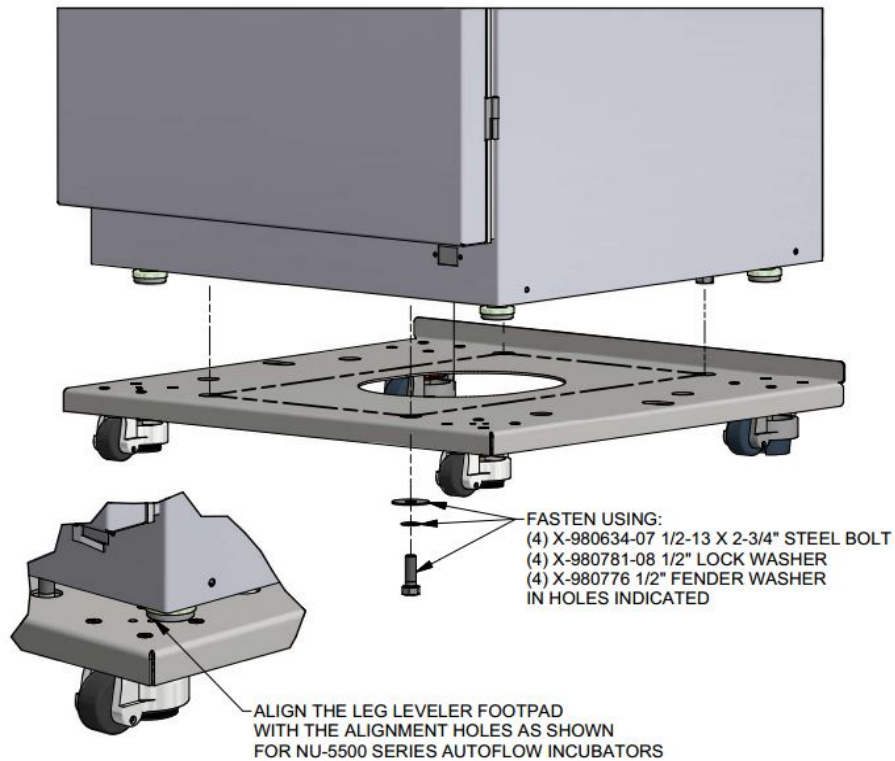
NOTE: Nylon bolts are used in place of the feet on the incubator that is secured to the platform to ensure clearance of stacked 5800's through a 7' door. If a single 5800 is placed on the platform, the feet that come with the incubator can be used for the bolts that secure the incubator to the platform.

NU-5700 / 8600 Series Invitrocell Mounting

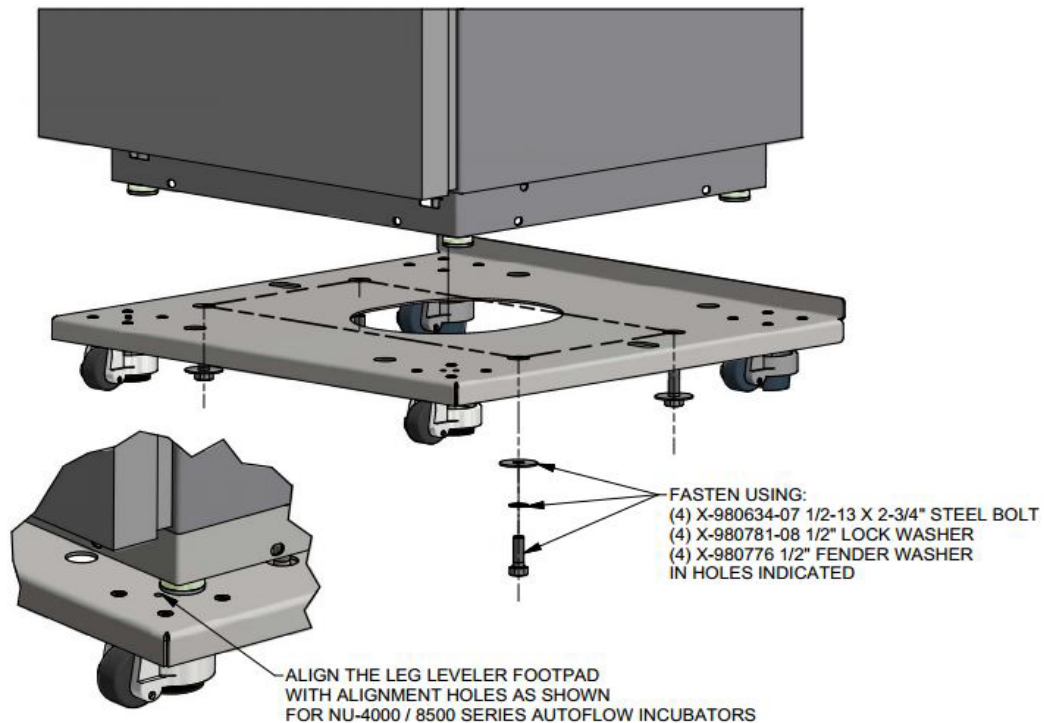


NOTE: The feet installed on incubator that is secured to the platform will remain installed and used with the 2.5" bolts included with the hardware kit for attachment.

NU-5500 SERIES AUTOFLOW INCUBATOR



NU-4000 / 8500 SERIES AUTOFLOW INCUBATORS

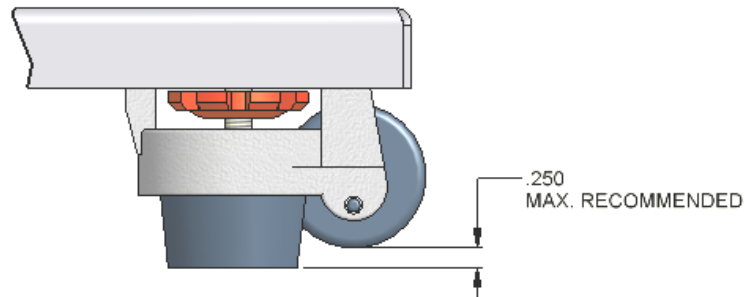


NOTICE: All incubator installations require the 1/2" bolts for mounting. These bolts only need to be snugged tight. Do not over tighten.

4. LEVELING THE PLATFORM

The leveling footpads on the platform caster can be retracted by turning the orange adjusting nut clockwise until they are no longer touching the floor and the incubator/stack on the platform can be moved. It is strongly recommended that the incubator/stack be leveled on the platform then, if the back casters are not accessible when the incubator/platform is placed where it will be used, only the front footpads need to be extended to immobilize it. Be sure to level the incubator/s accordingly.

MAXIMUM RECOMMENDED EXTENSION OF FOOT PAD ON PLATFORM CASTOR



5. NOTES ON STACKING THE INCUBATORS ON THE PLATFORM:

- Stack NU-4000 Series, NU-5500 Series and NU-5800 Series models only.
NOTE: The NU-8500 and NU-8700 model incubators are not stackable.
- Be sure the incubator legs are extended as described in step 2 on the incubator being stacked on top.
- Lift (by best method for installer) the incubator and set the feet in the round embossed indentations in the top of the (bottom) incubator.
- Level the stacked incubator as previously described.
- NU-5500 Series and NU-5800 Series models only:** Secure the stacked incubators together with the 4 stacking straps supplied with each incubator. They are attached into bottom edge (2 on each side). Loosen the screws holding the straps in place and rotate them down 90 degrees. Use the 4 screws (2 screws per side) securing the lid of the bottom incubator to secure the stacking strap to it.

WARRANTY

NuAire, Inc. warrants that it will repair F.O.B. its factory or furnish without charge F.O.B. its factory, a similar part to replace any material in its equipment within 12 months after the date of sale if proved to the satisfaction of the company to have been defective at the time it was sold provided that all parts claimed defective shall be returned, properly identified to the company at its factory, charged prepaid. Factory installed equipment or accessories are warranted only to the extent guaranteed by the original manufacturer and this warranty shall not apply to any portion of the equipment modified by the user. Claims under this warranty should be directed to NuAire, Inc. setting forth in detail the nature of the defect, that date of the initial installation and the serial and model number of the equipment.

This warranty shall not apply to any NuAire product or part thereof which has been subject to misuse, abuse, accident, shipping damage, improper installation or service or damage by fire, flood or acts of God. If the serial number of the product is altered, removed or defaced as to be illegible, the warranty shall be null and void in its entirety.

The warranty is for the sole benefit of the original purchaser and is not assignable or transferable.