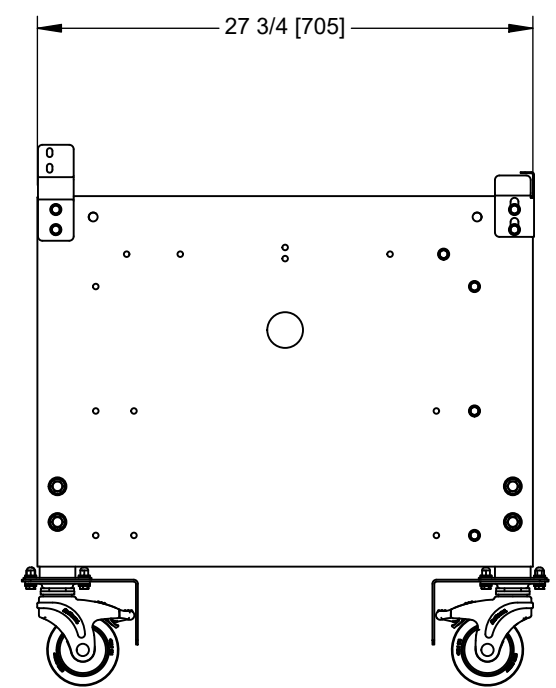
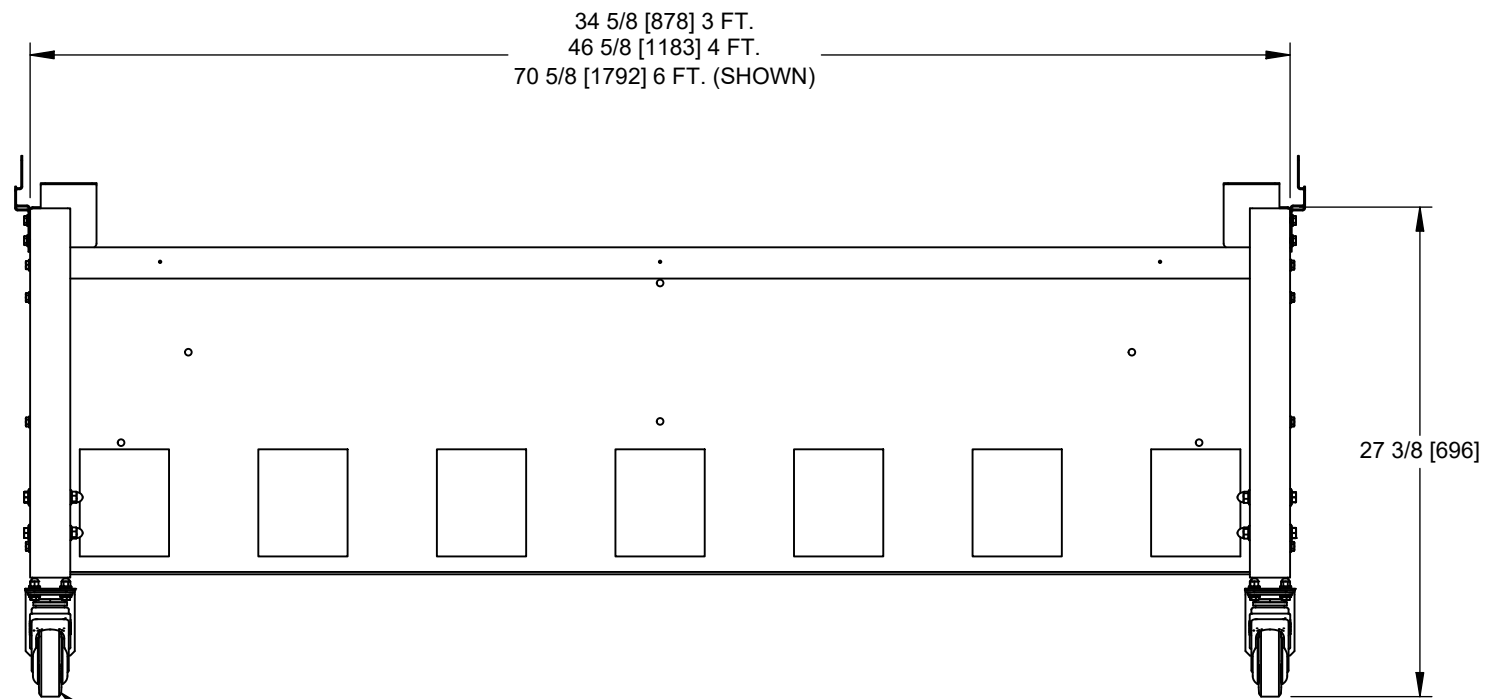
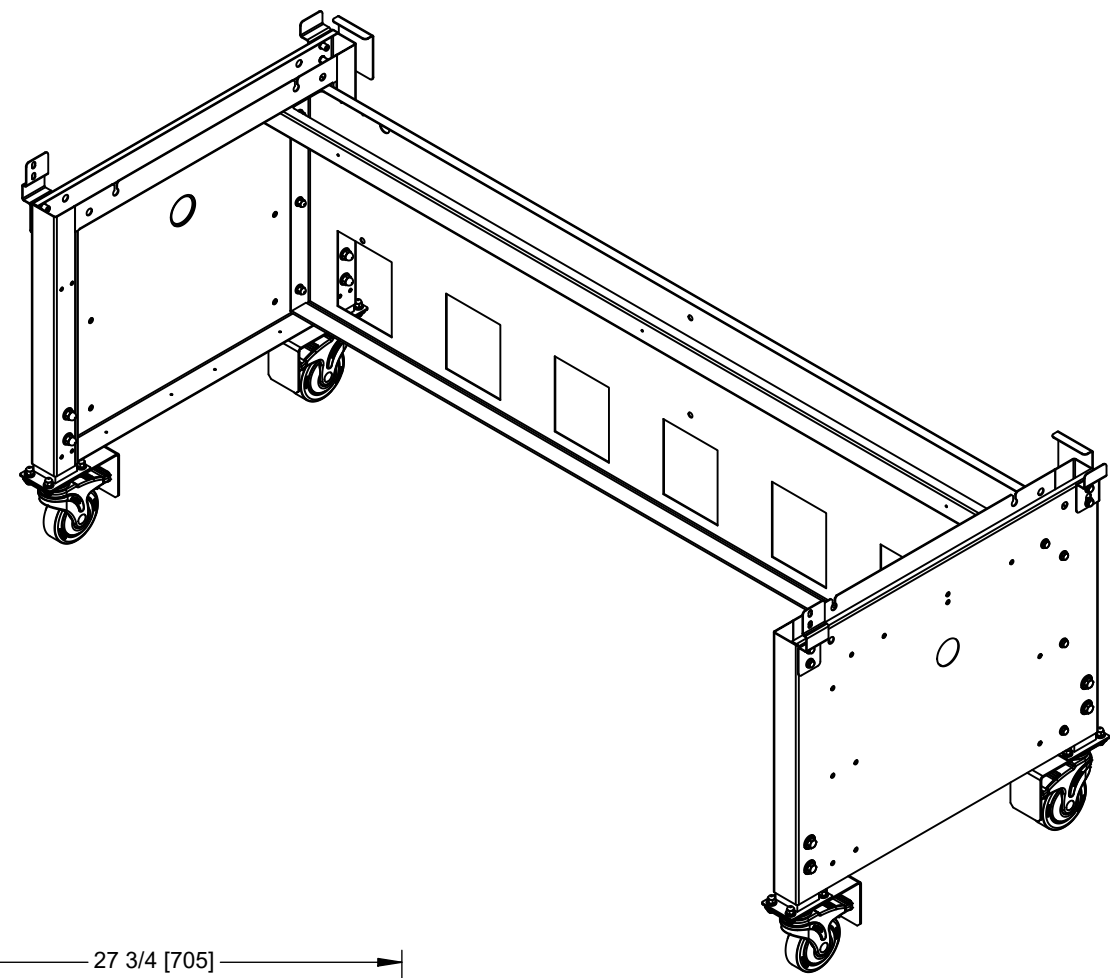
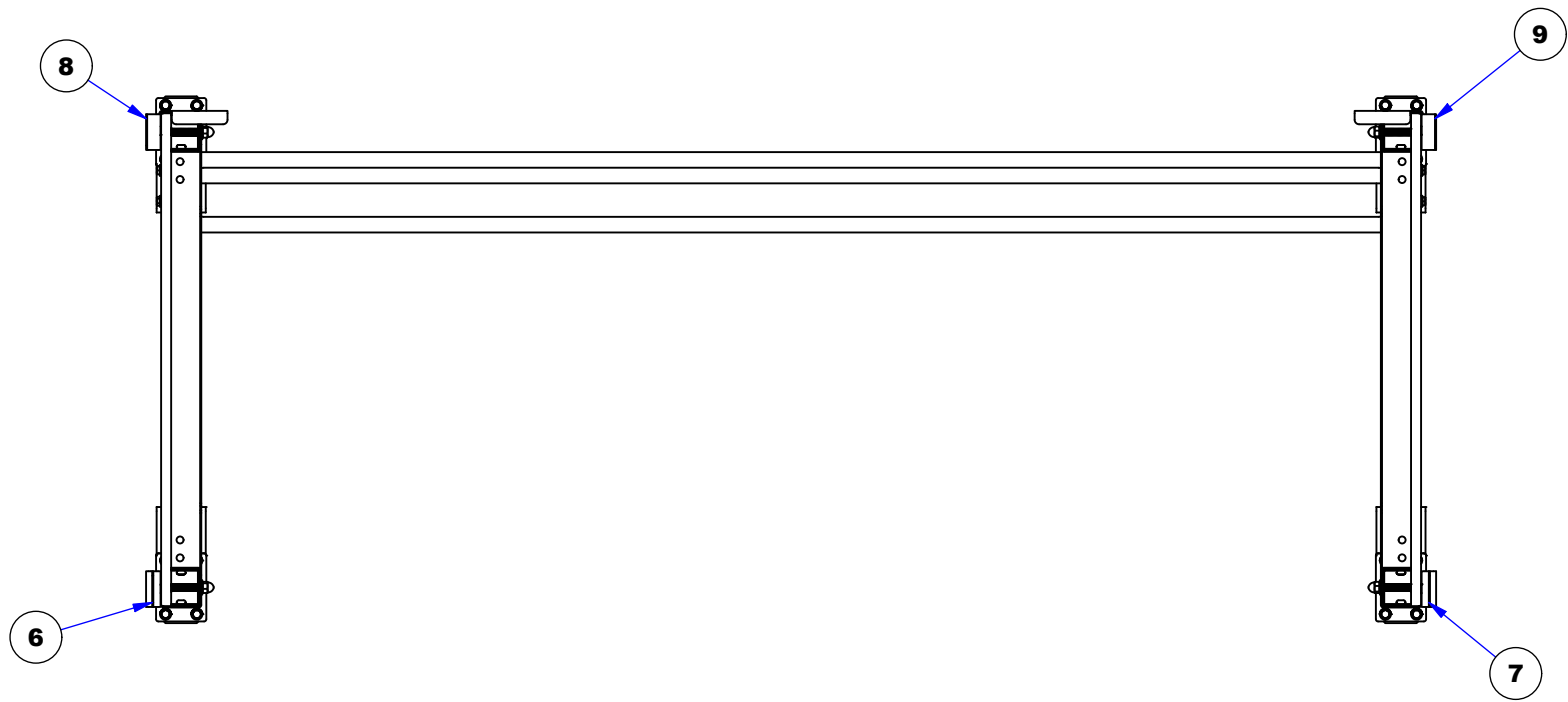



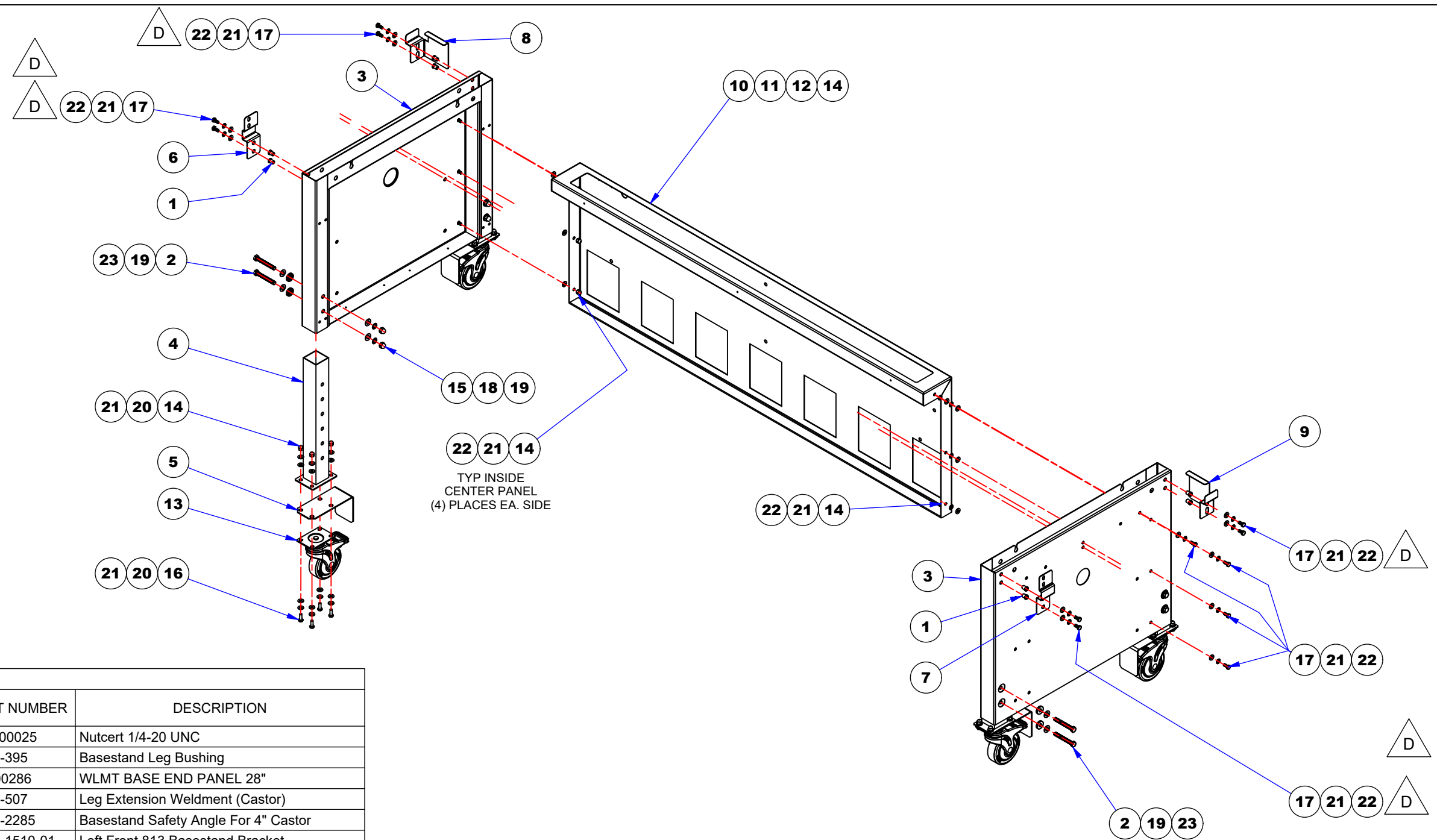
REV	CO	DESCRIPTION	DATE	DFTR	CHKD
D	003607	DEL: AF-000290-02 (ASSY UPPER CROSS BAR 6') FROM BOM	12/12/2024	JMP	RS



4" LOCKING SWIVEL CASTERS TYP

INCH [MILLIMETER]

		PROPRIETARY THE INFORMATION CONTAINED HEREIN IS THE EXCLUSIVE PROPERTY OF NUAIRE INC. AND IS NOT TO BE DIVULGED OR USED IN ANY MANNER WITHOUT THE EXPRESS WRITTEN PERMISSION OF NUAIRE INC.		
		DATE 6/20/2024 DFTM LS CHKD MSS	TITLE NU-800 TELESCOPING BS W/CASTERS	
UNLESS OTHERWISE SPECIFIED DIMENSIONS ARE IN INCHES -TOLERANCES- DECIMALS ± .032 ANGLES ± 2°		MATERIAL AS NOTED PART NUMBER CD-000203 PROJECT NUMBER -		D
		SHEET 1 OF 2		



Parts List

ITEM	QTY 3 FT.	QTY 4 FT.	QTY 6 FT.	PART NUMBER	DESCRIPTION
1	8	8	8	980-000025	Nutcert 1/4-20 UNC
2	8	8	8	A-500-395	Basestand Leg Bushing
3	2	2	2	AF-000286	WLMT BASE END PANEL 28"
4	4	4	4	B-500-507	Leg Extension Weldment (Castor)
5	4	4	4	B-620-2285	Basestand Safety Angle For 4" Castor
6	1	1	1	B-813-1510-01	Left Front 813 Basestand Bracket
7	1	1	1	B-813-1510-02	Right Front 813 Basestand Bracket
8	1	1	1	B-813-1511-01	Left Rear 813 Basestand Bracket
9	1	1	1	B-813-1511-02	Right Rear 813 Basestand Bracket
10	1	0	0	BSC-000666-01	BASE CENTER PANEL 3'
11	0	1	0	BSC-000666-02	BASE CENTER PANEL 4'
12	0	0	1	BSC-000666-04	BASE CENTER PANEL 6'
13	4	4	4	X-980040-08	Caster w/Brake 4" Nylon
14	24	24	24	X-980493	Acorn Nut 1/4-20 (Low Crown) SST
15	8	8	8	X-980494-03	Acorn Nut 3/8-16 SST
16	16	16	16	X-980604-02	Bolt G2 1/4-20 X 3/4 SST
17	16	16	16	X-980659-12	Bolt HHCS 1/4-20 X 5/8 SST
18	8	8	8	X-980781-07	Lock Washer 3/8 Internal Tooth SST
19	16	16	16	X-980783-07	Washer 3/8 SAE Nickel
20	32	32	32	X-980789-01	Lock Washer 1/4 Split Zinc
21	56	56	56	X-980794-02	Washer 1/4 SST
22	24	24	24	X-980815-01	Lock Washer 1/4 Internal Tooth SST
23	8	8	8	X-980929-01	Bolt 3/8-16 X 2-3/4 SST

RECOMMENDED TOOLS:

- 7/16" WRENCH (X2)**
- 9/16" WRENCH**
- 7/16" SOCKET W/RATCHET**
- 5/8" SOCKET W/RATCHET**

		PROPRIETARY THE INFORMATION CONTAINED HEREIN IS THE EXCLUSIVE PROPERTY OF NUAIRE INC. AND IS NOT TO BE DIVULGED OR USED IN ANY MANNER WITHOUT THE EXPRESS WRITTEN PERMISSION OF NUAIRE INC.		
		DATE	6/20/2024	TITLE
DFTM	LS			
CHKD	MSS	MATERIAL	AS NOTED	
UNLESS OTHERWISE SPECIFIED DIMENSIONS ARE IN INCHES -TOLERANCES- DECIMALS ± .032 ANGLES ± 2°		PART NUMBER	CD-000203	D
		PROJECT NUMBER	-	SHEET 2 OF 2