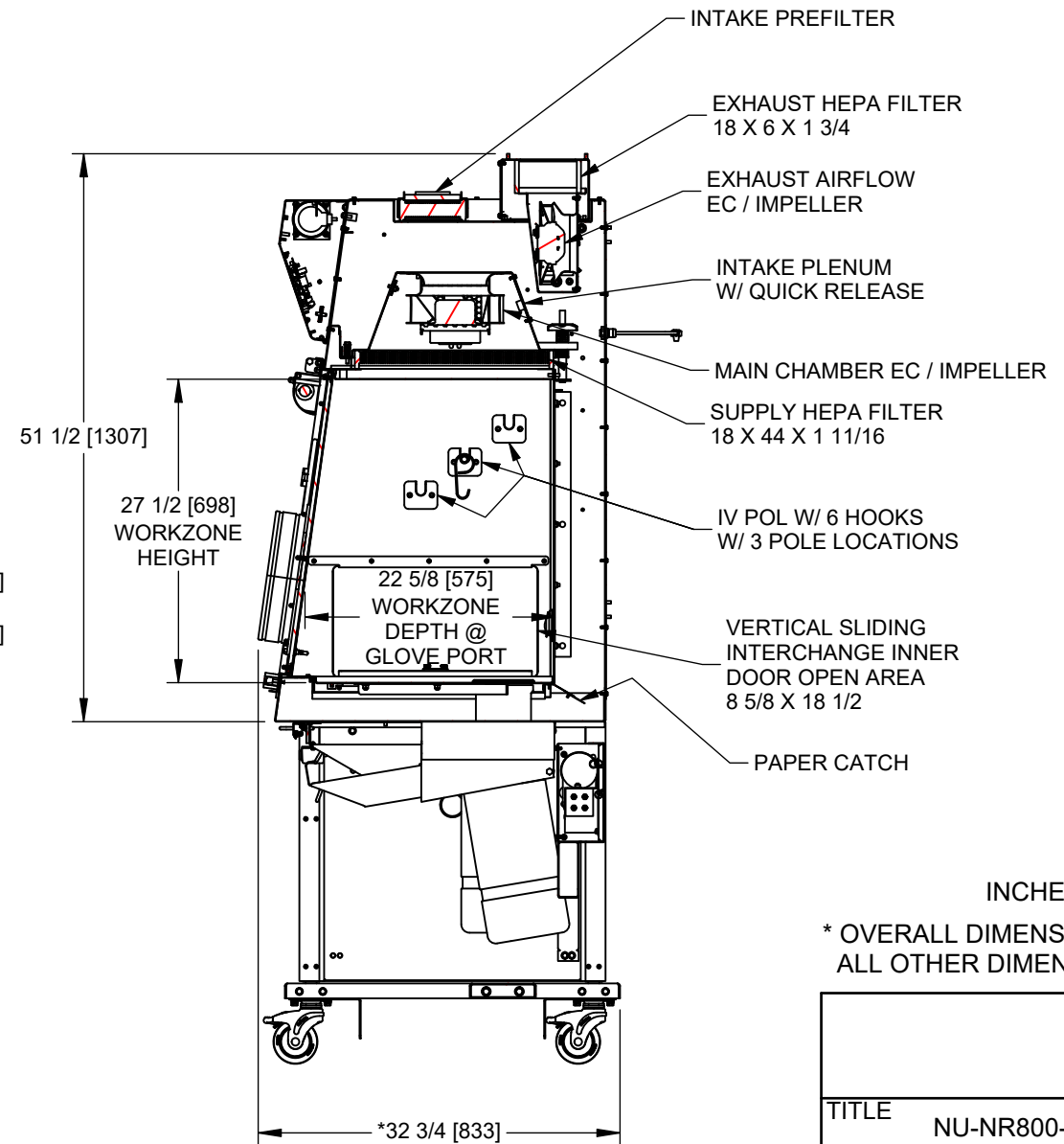
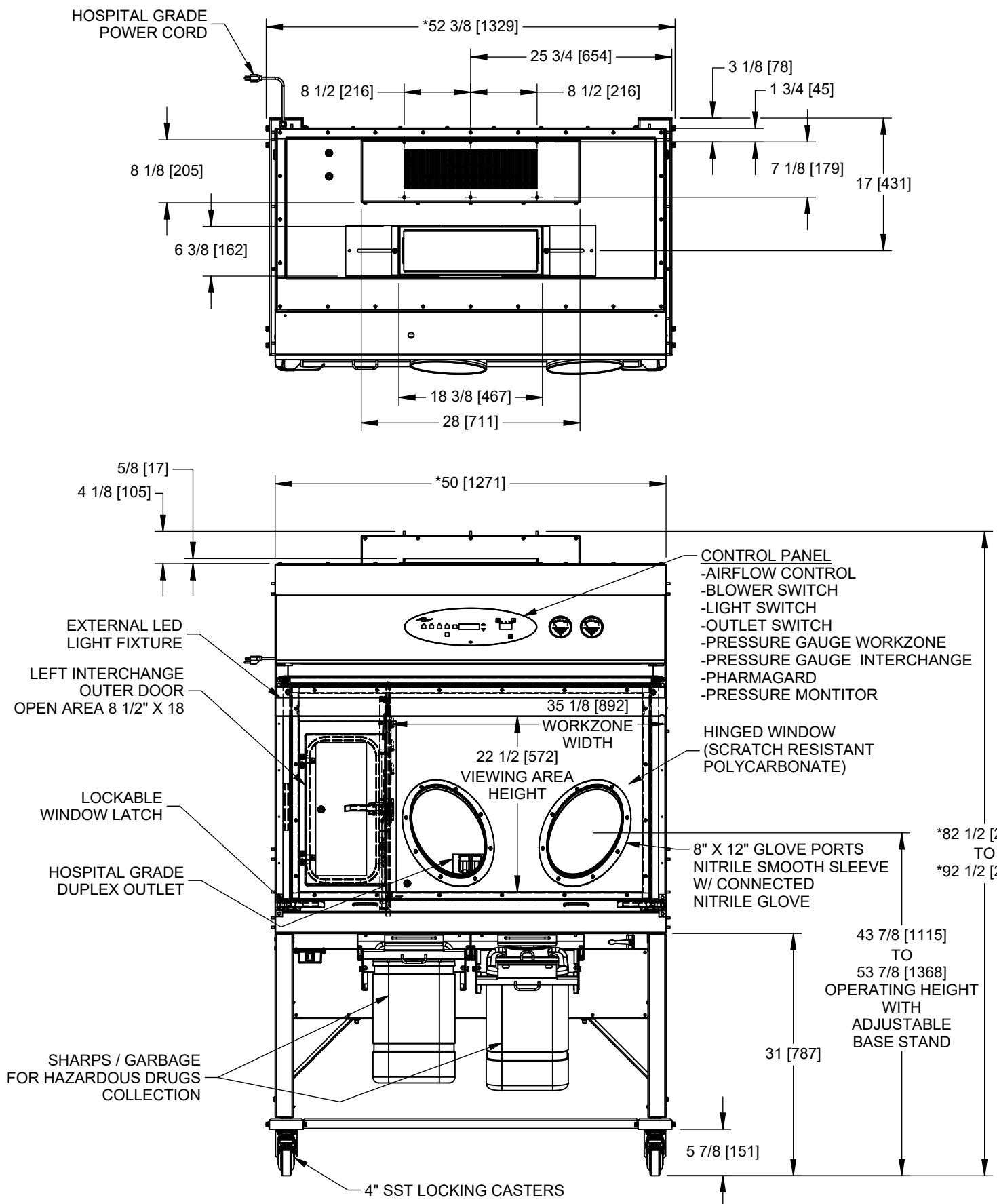


REV	CO	DESCRIPTION	DATE	DFTR	CHKD
A	001199	RELEASED	11/16/2022	RN	DF



INCHES [MILLIMETERS]
* OVERALL DIMENSIONAL TOLERANCE ±1/4" [6.35]
ALL OTHER DIMENSIONS 1/8" [3.17]

TITLE NU-NR800-400 NEGATIVE PRESSURE RECIRCULATING STERILE ISOLATOR					
DFTM RN	DATE 11/16/2022	CHKD DF	SHEET 1	OF 1	
DRAWING NUMBER		CD-000142			A

REF: BCD-20315