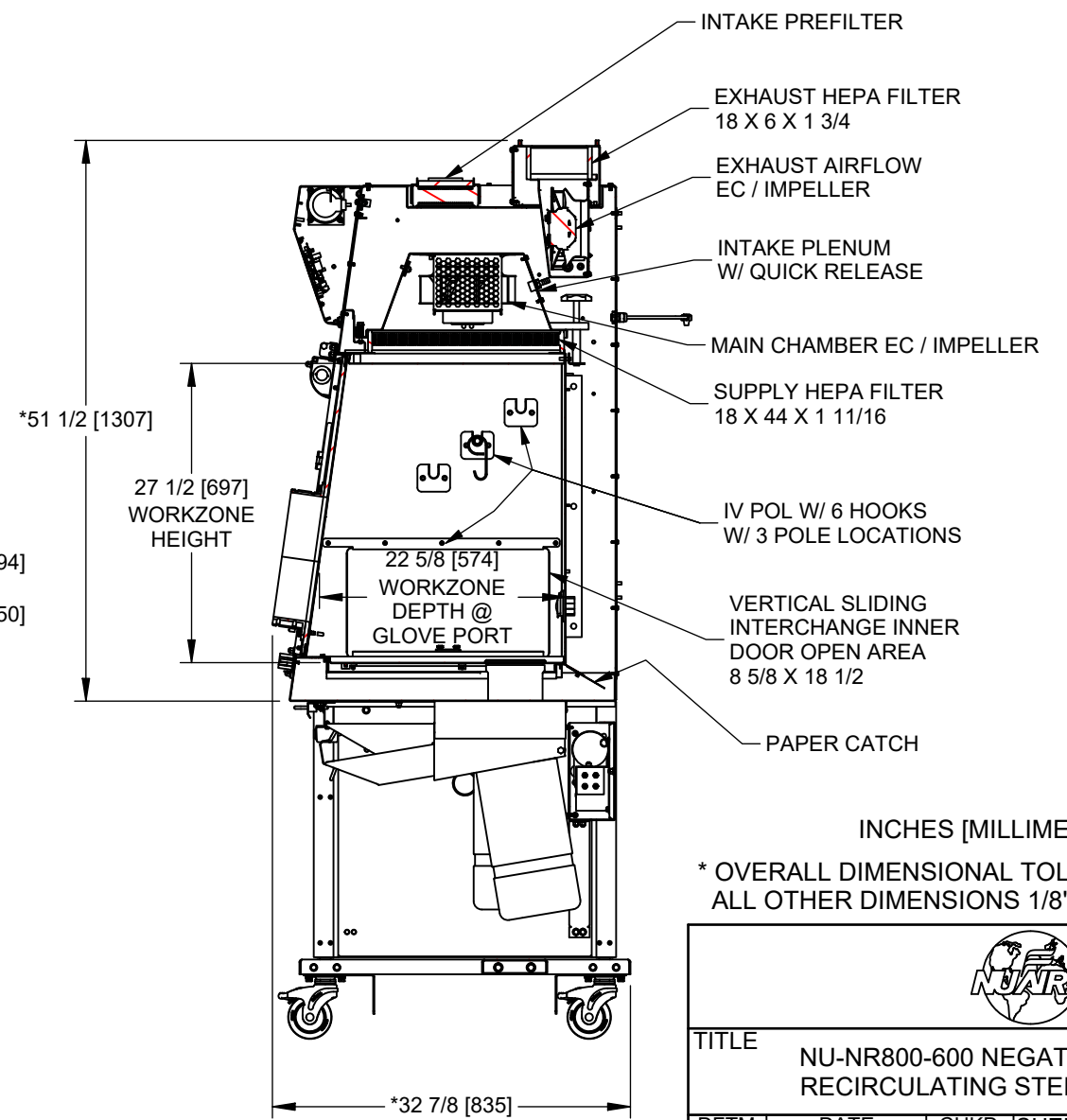
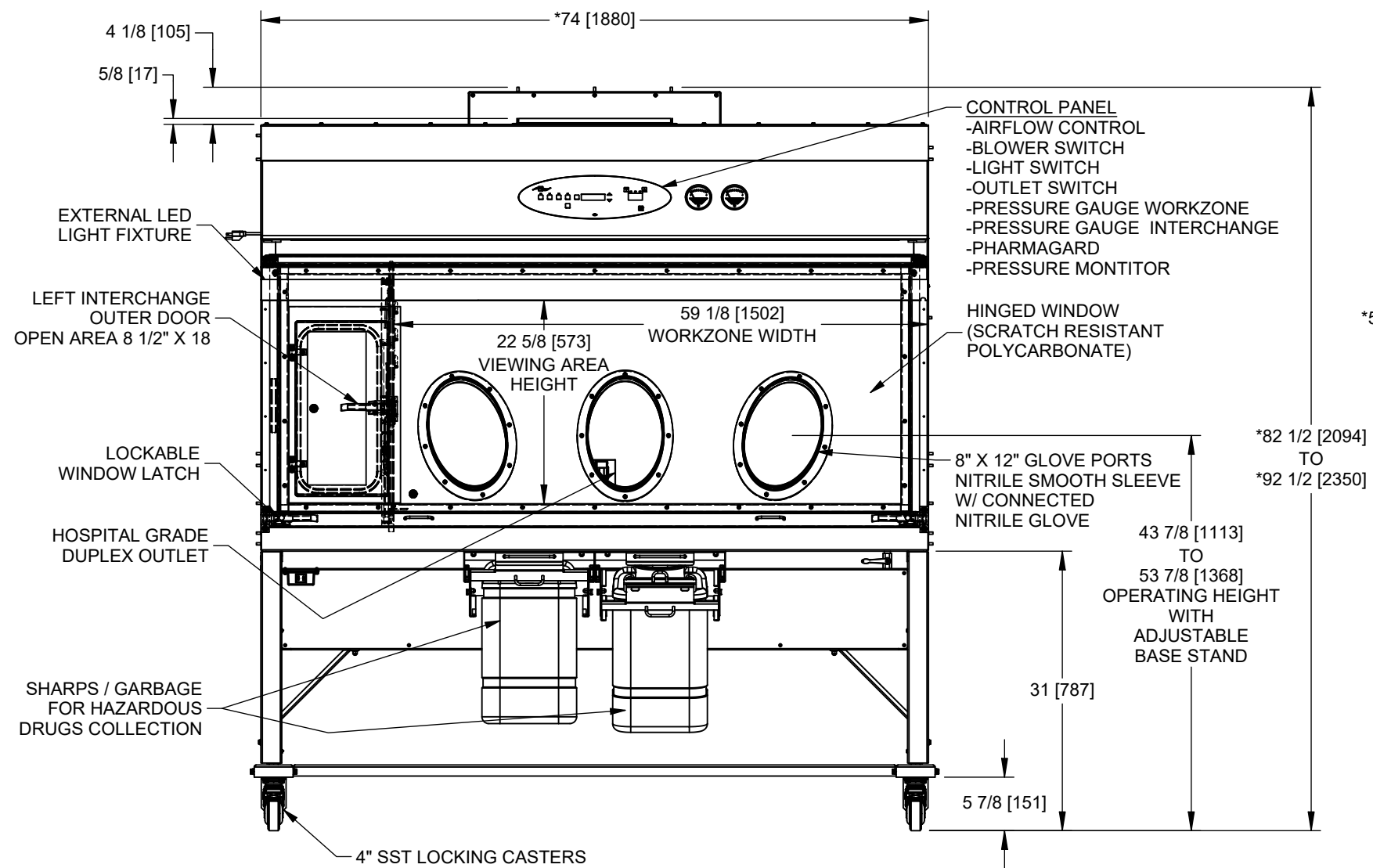
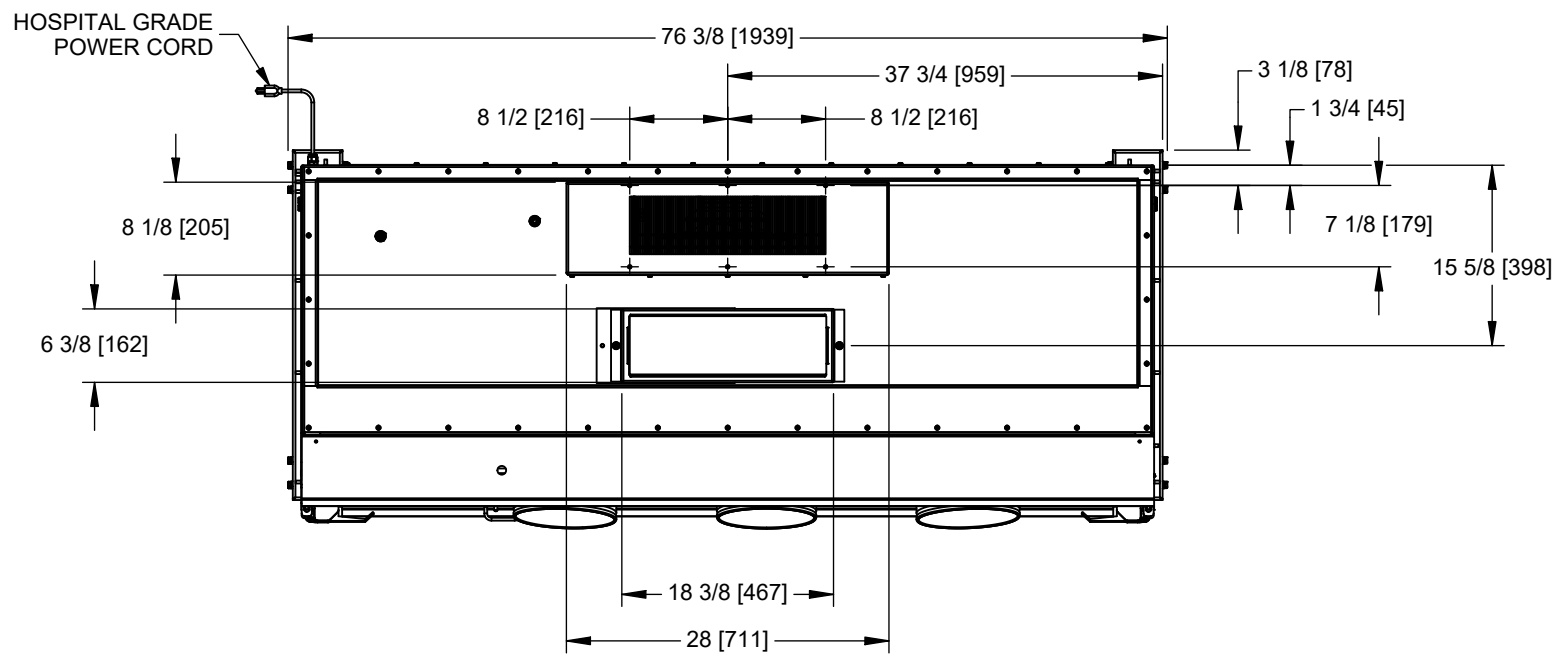


REV	CO	DESCRIPTION	DATE	DFTR	CHKD
A	001199	RELEASED	11/17/2022	RN	DF



INCHES [MILLIMETERS]
 * OVERALL DIMENSIONAL TOLERANCE ±1/4" [6.35]
 ALL OTHER DIMENSIONS 1/8" [3.17]

TITLE					
NU-NR800-600 NEGATIVE PRESSURE RECIRCULATING STERILE ISOLATOR					
DFTM	DATE	CHKD	SHEET	1	OF 1
RN	11/17/2022	DF			
DRAWING NUMBER			CD-000143		A

REF: BCD-20316