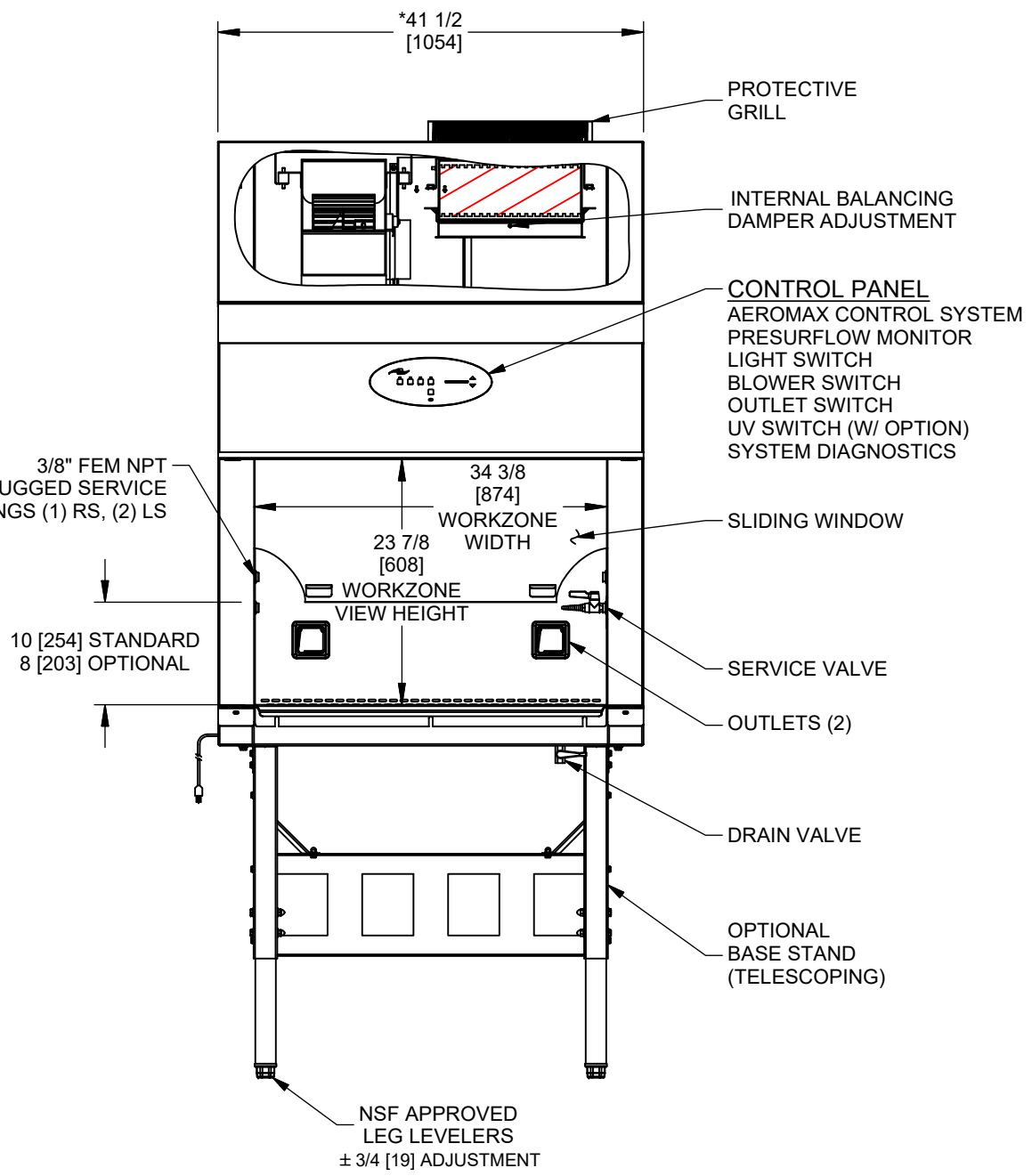
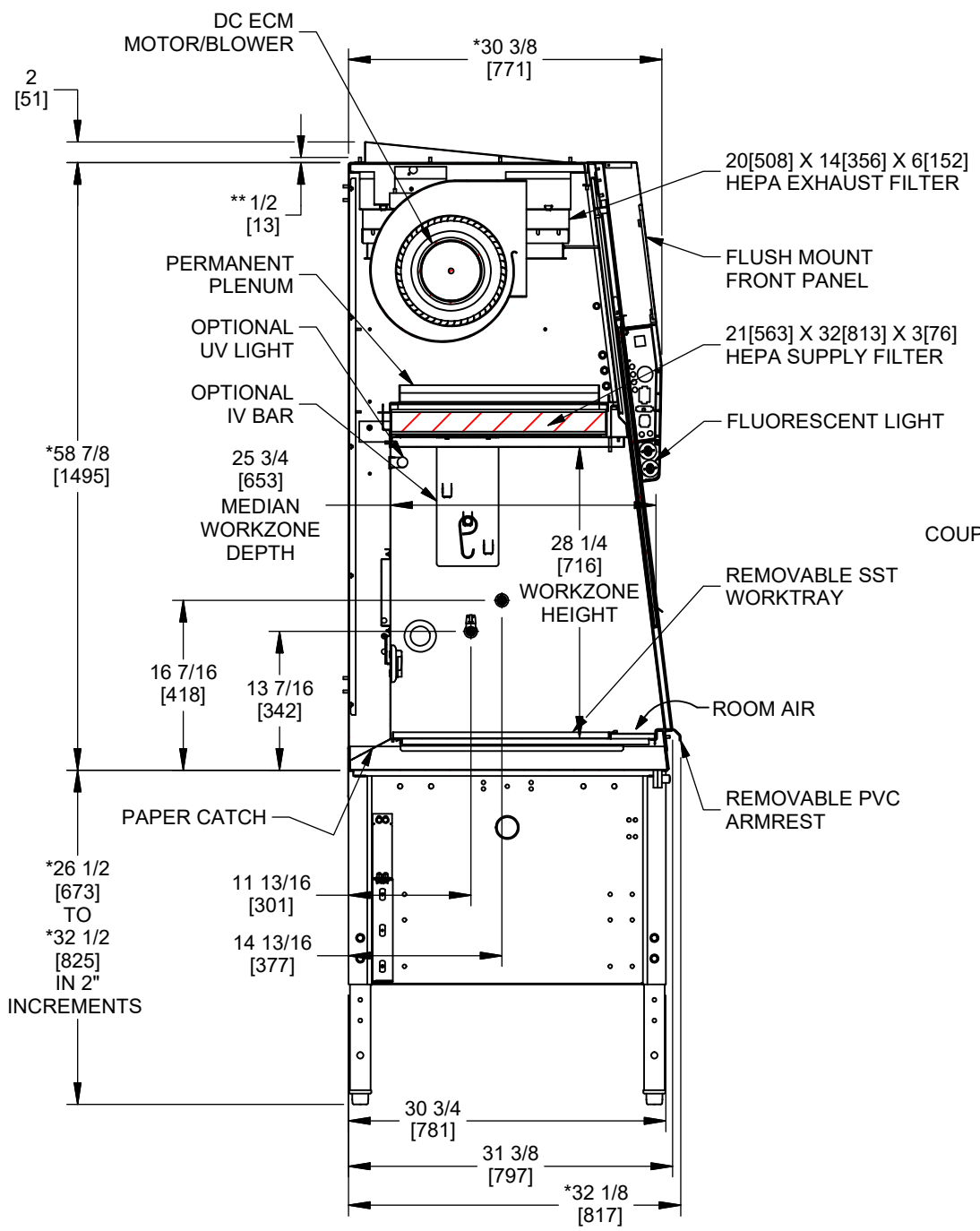
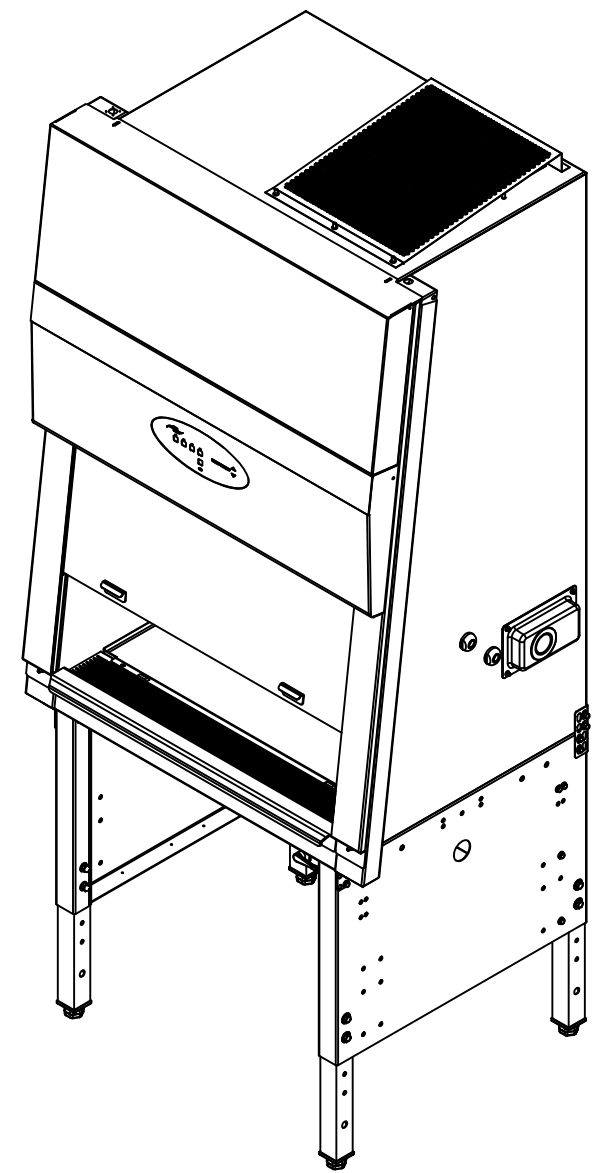
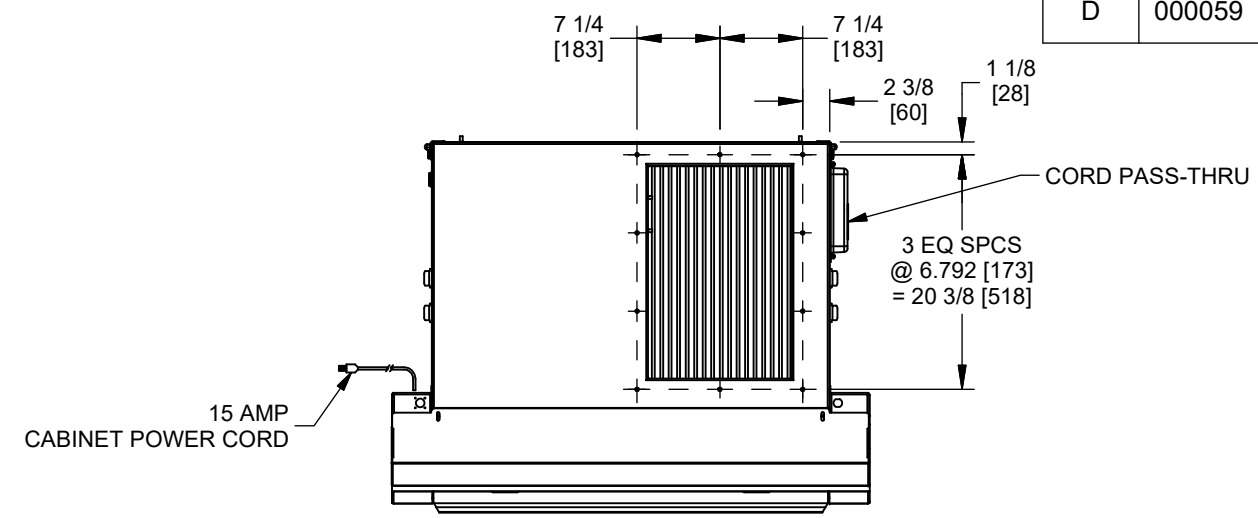


REV	CO	DESCRIPTION	DATE	DFTM	CHKD
D	000059	UPDATED, ADDED CORD PASS-THRU	8/28/2019	TH	DSH



** ADD 1/2" [13] TO OVERALL HEIGHT WITH PROTECTIVE GRILL REMOVED

INCH
MILLIMETER

* OVERALL DIMENSIONAL TOLERANCE ±1/4 [6.35]
ALL OTHER DIMENSIONS ±1/8 [3.17]

TITLE NU-540-300E Class II Biosafety Cabinet				
DFTM LS	DATE 5/20/2014	CHKD BP	SHEET 1	OF 1
DRAWING NUMBER		BCD-16887		D