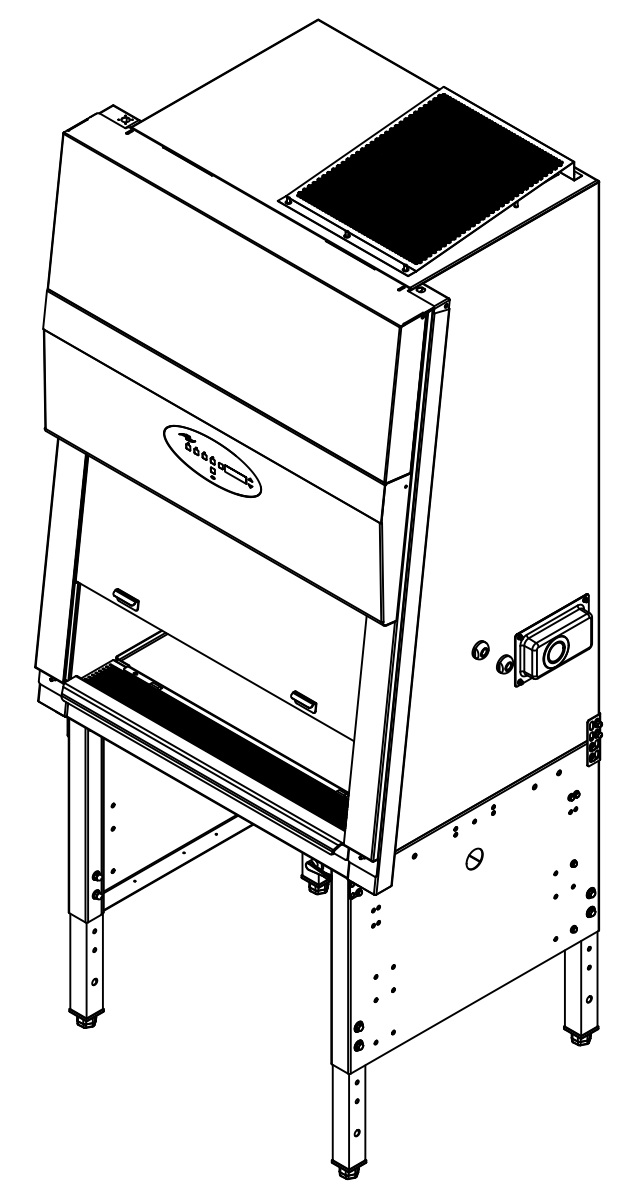
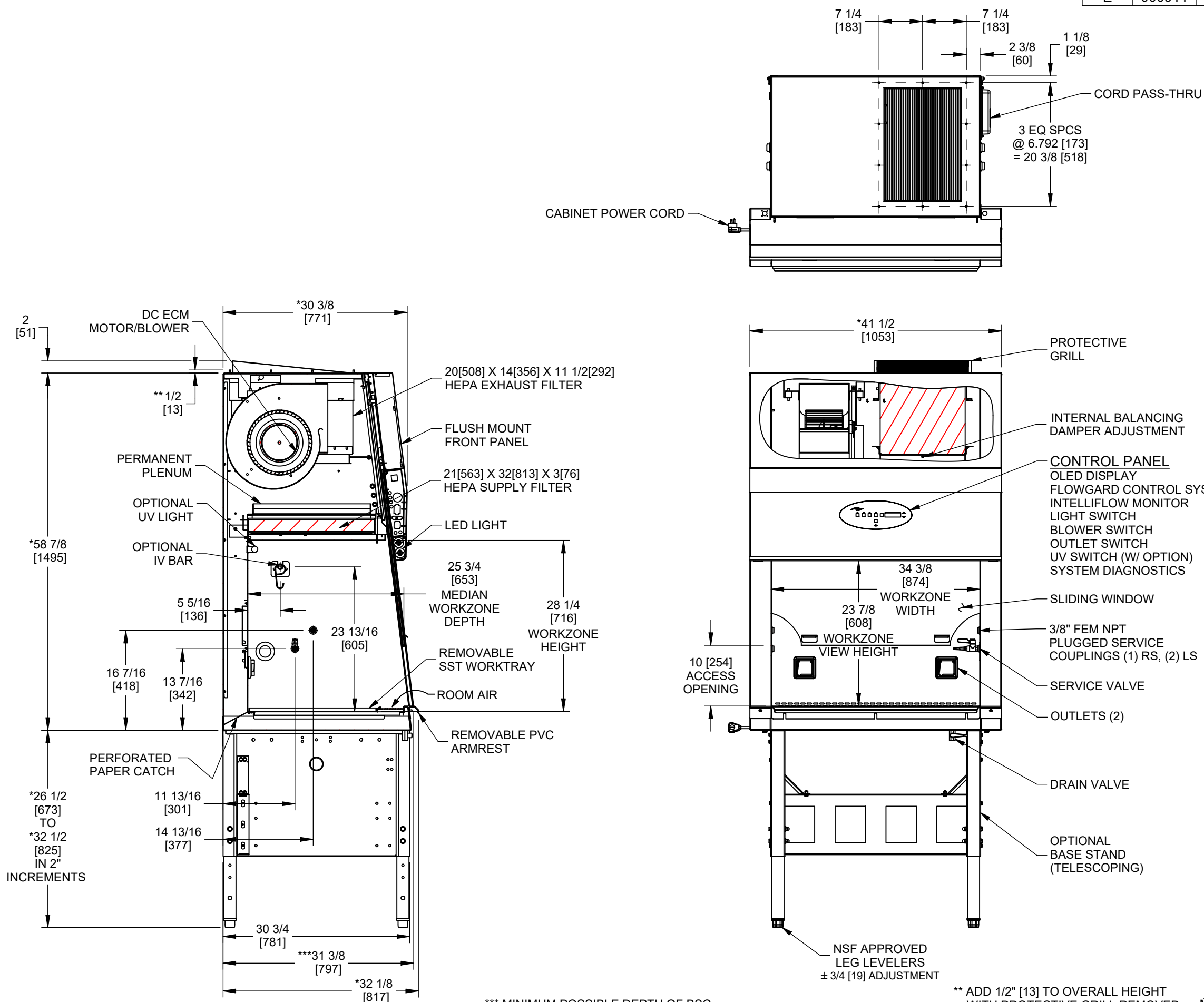


REV	CO	DESCRIPTION	DATE	DFTM	CHKD
E	000911	UPDATED	1/31/2022	TH	DSH



*** MINIMUM POSSIBLE DEPTH OF BSC

** ADD 1/2" [13] TO OVERALL HEIGHT WITH PROTECTIVE GRILL REMOVED

INCH
MILLIMETER

* OVERALL DIMENSIONAL TOLERANCE $\pm 1/4$ [6.35]
ALL OTHER DIMENSIONS $\pm 1/8$ [3.17]

TITLE NU-543-300J Specification Drawing					
DFTM TH	DATE 1/4/2018	CHKD DSH	SHEET 1	OF 1	
DRAWING NUMBER BCD-19611			E		