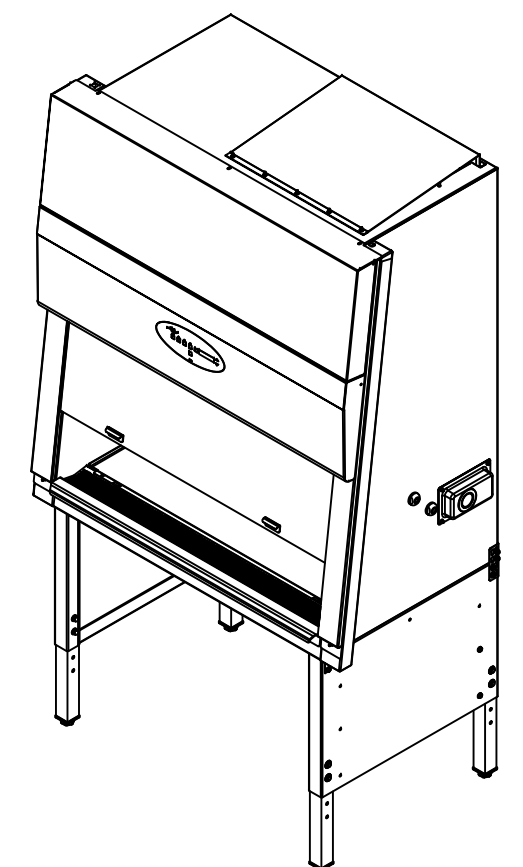
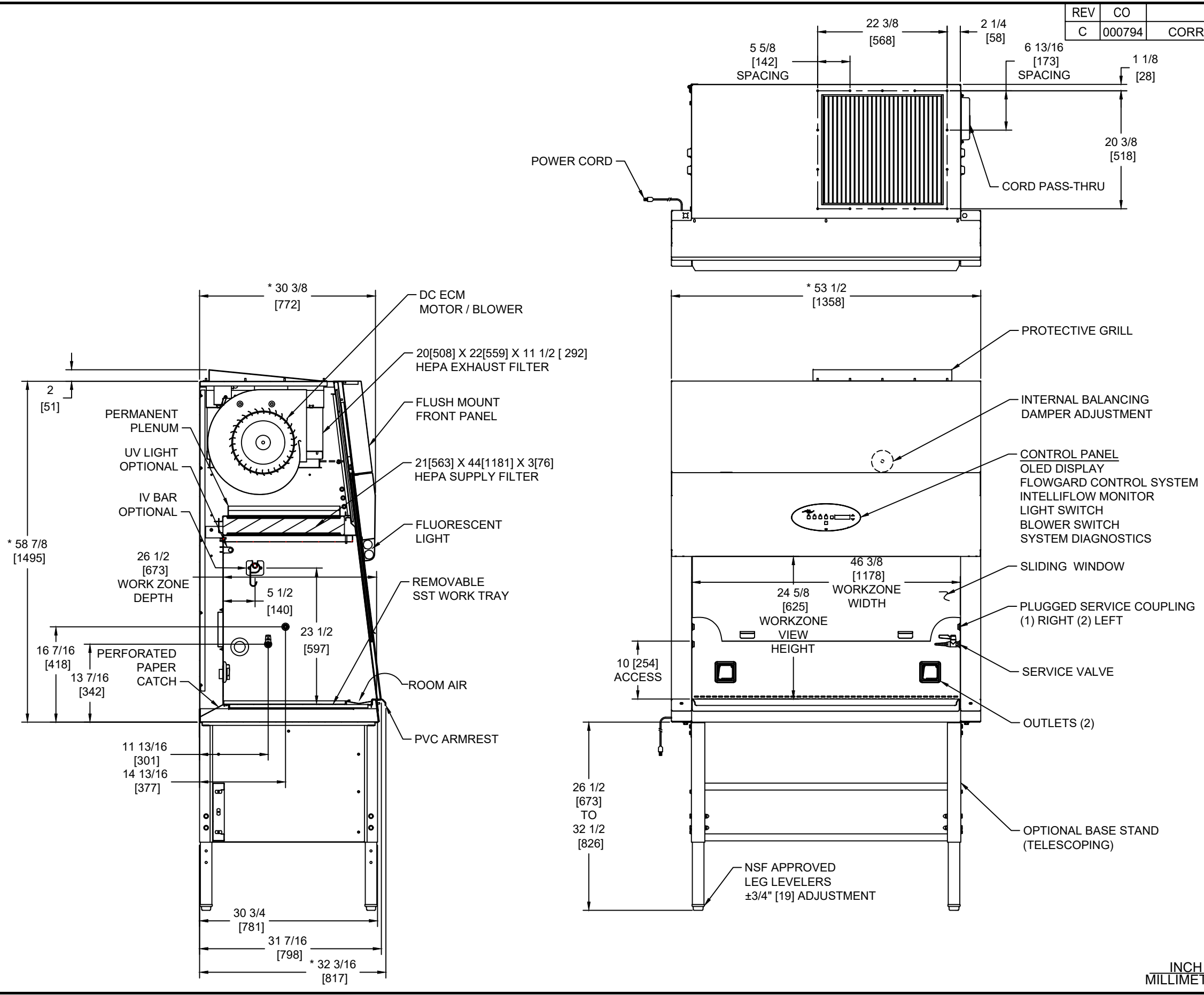


REV	CO	DESCRIPTION	DATE	DRFT	CHKD
C	000794	CORRECTED ACCESS OPENING DIM	4/16/2021	TH	DSH

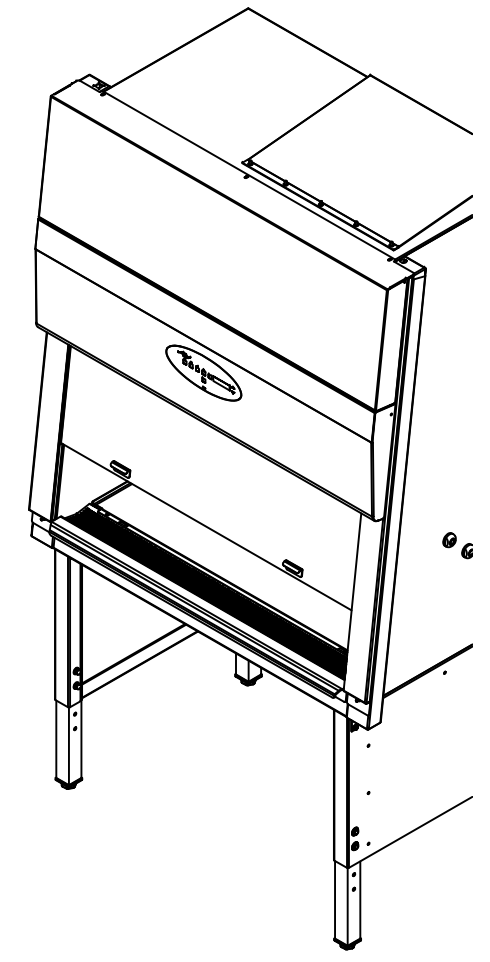
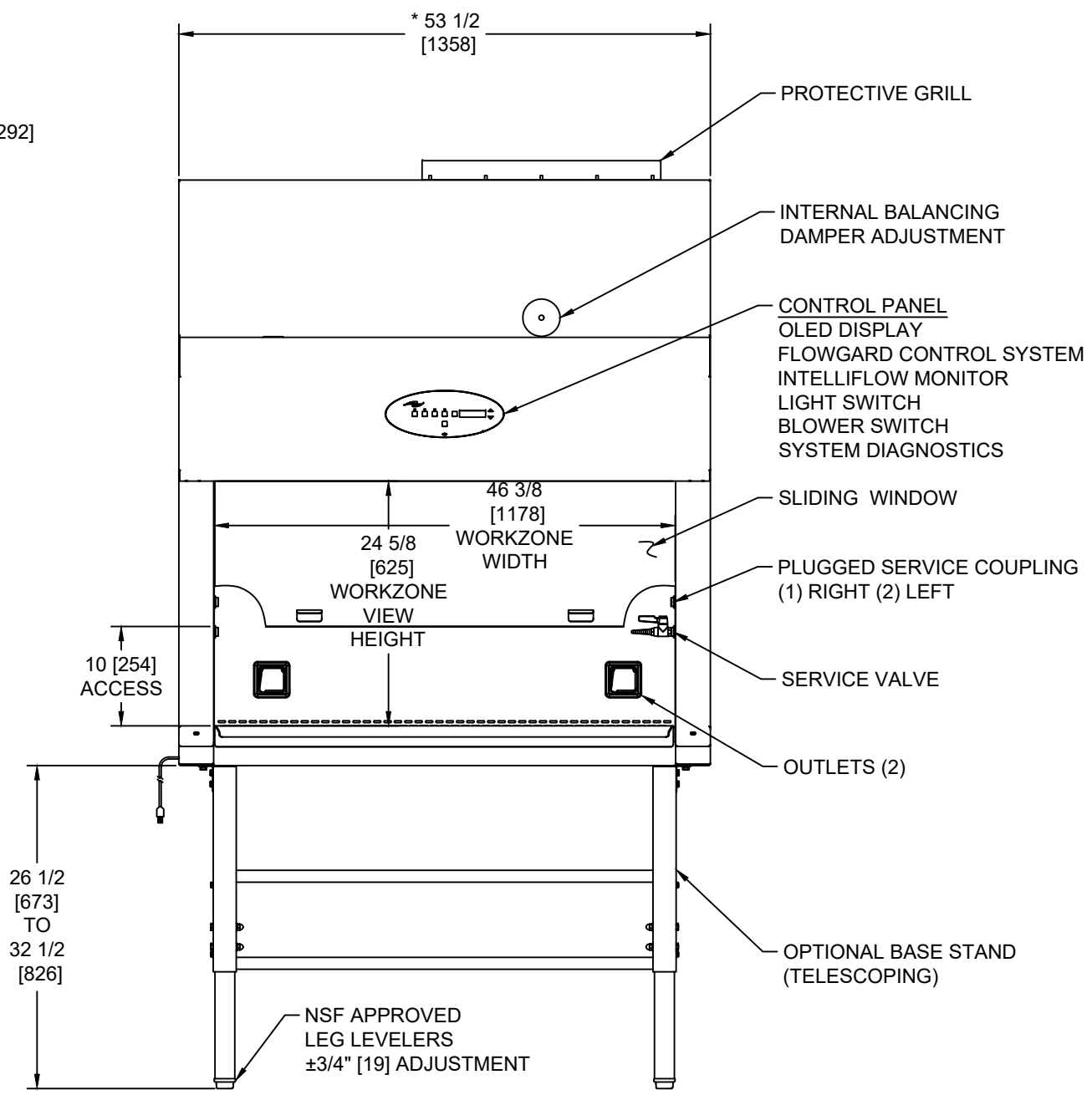
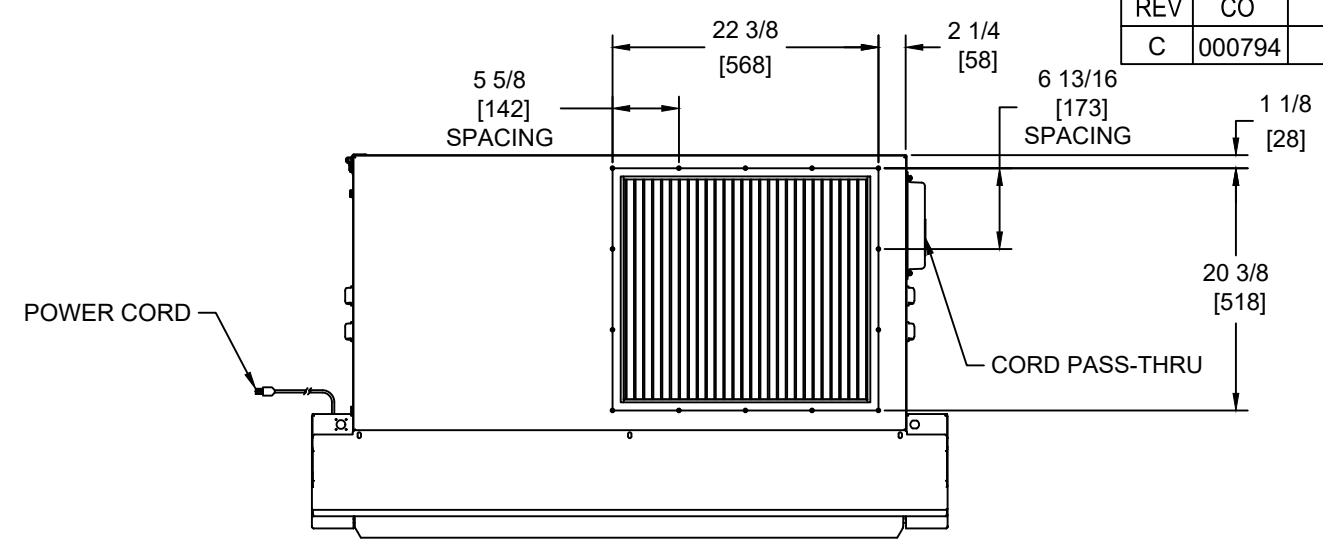
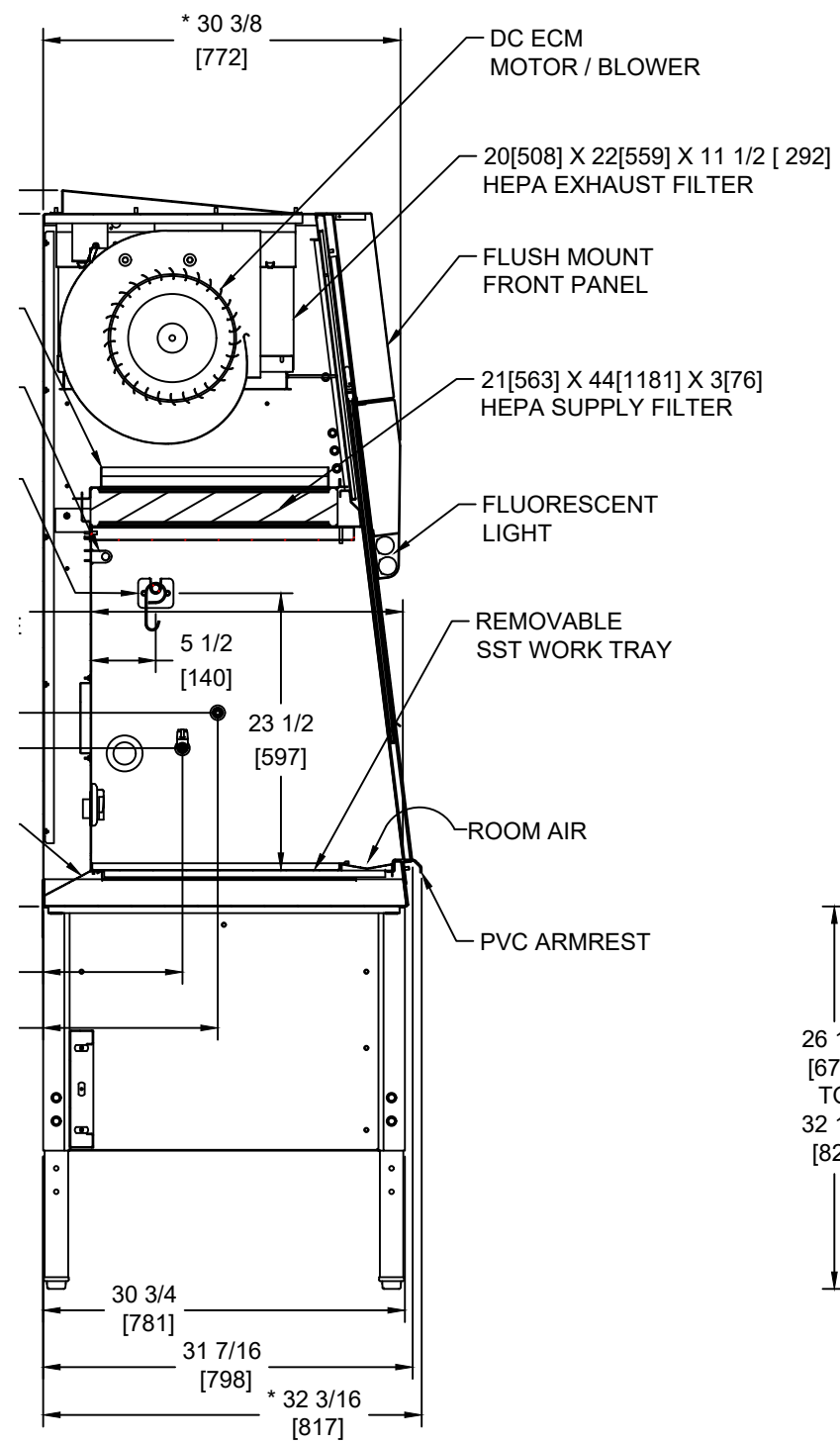


* OVERALL DIMENSIONAL TOLERANCE ±1/4 [6.35]
ALL OTHER DIMENSIONS ±1/8 [3.17]

NU-543-400J CLASS II, TYPE A2 (ENERGY SAVER) BIOLOGICAL SAFETY CABINET					
DFTM	TH	1/4/2018	CHKD	DSH	SHEET 1 OF 1
DRAWING NUMBER				BCD-19612	
					C

INCH
MILLIMETER

REV	CO	DESCRIPTION	DATE
C	000794	CORRECTED ACCESS OPENING DIM	4/16/2021

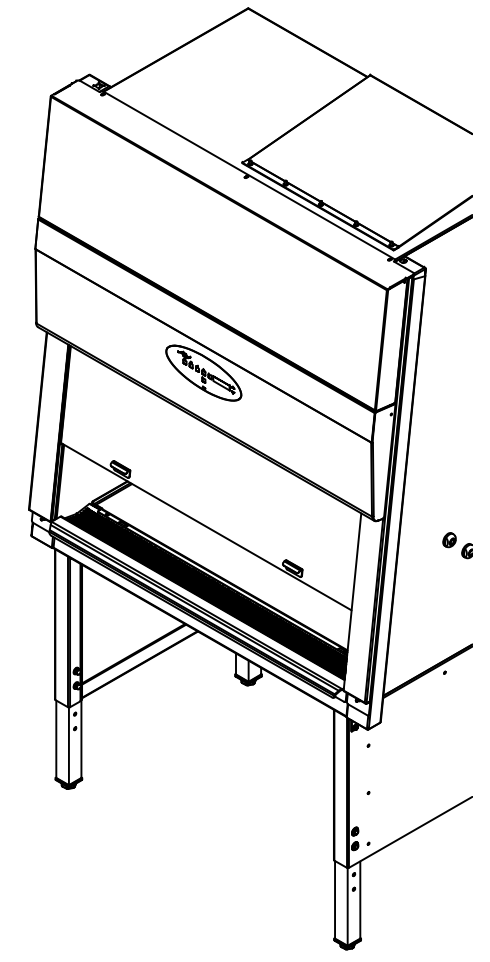
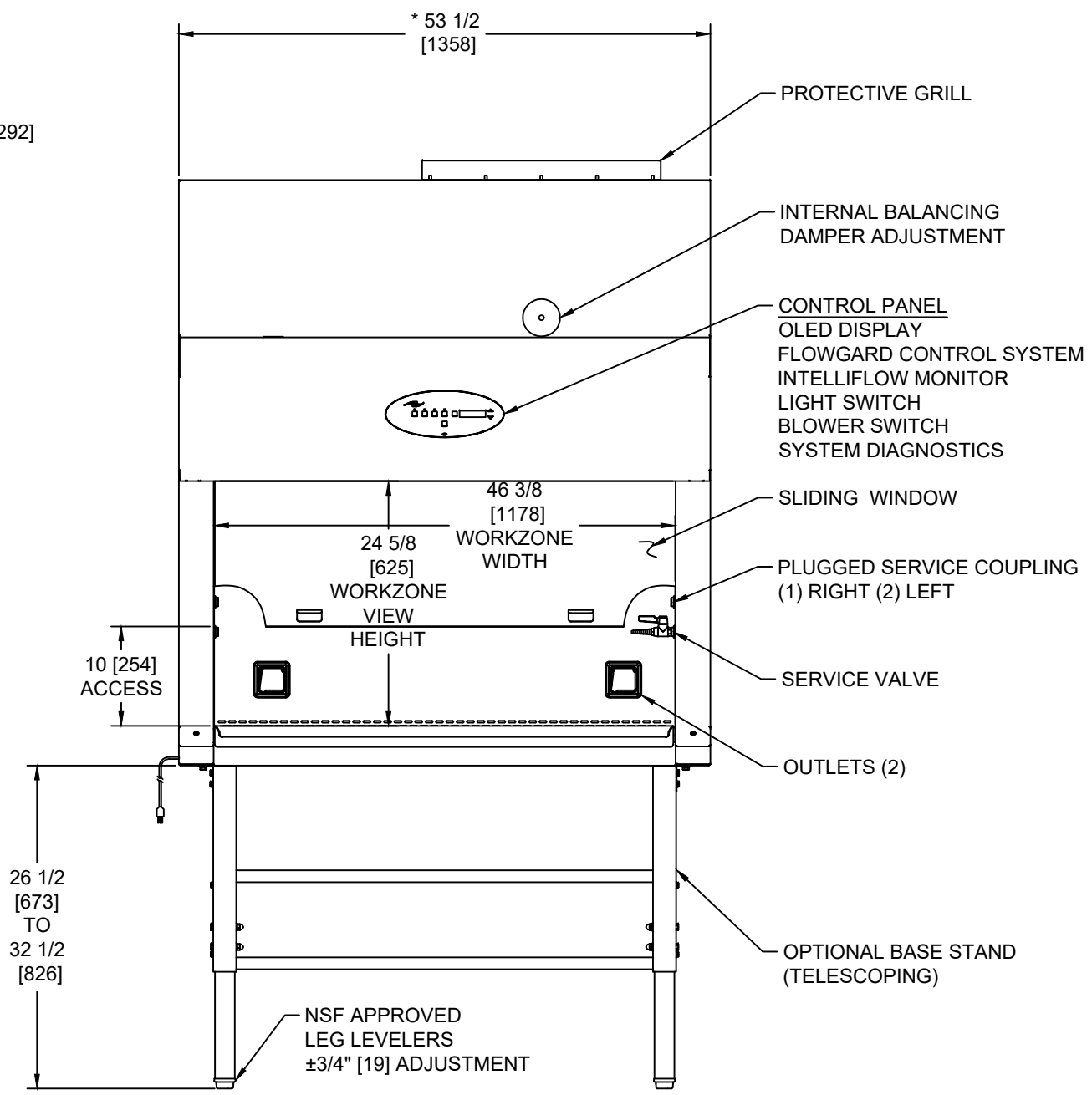
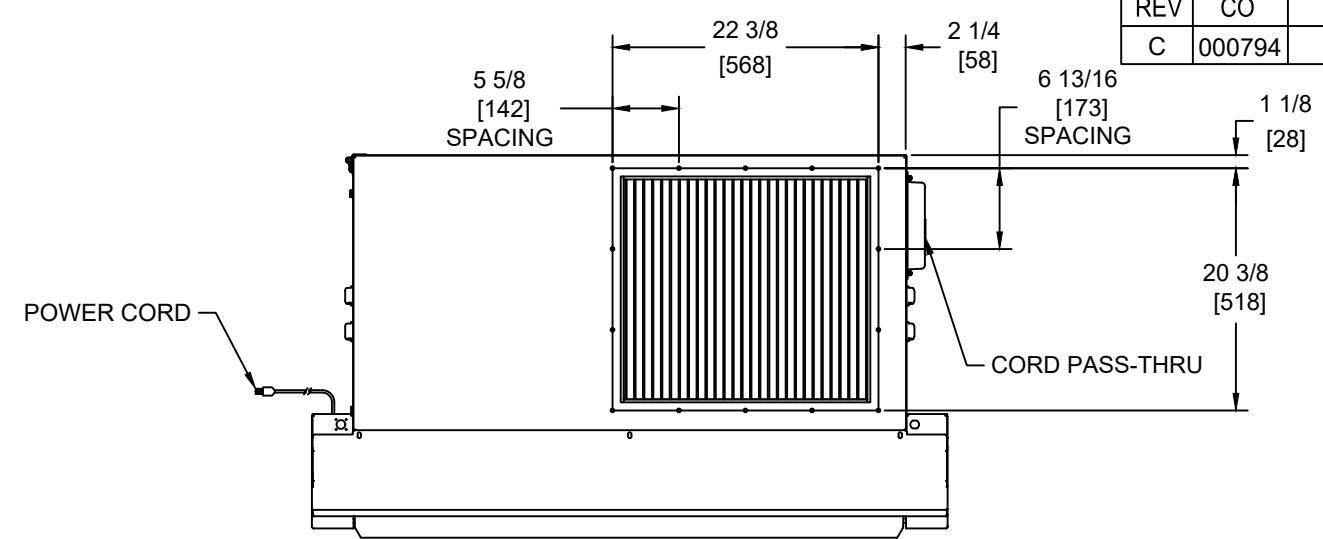
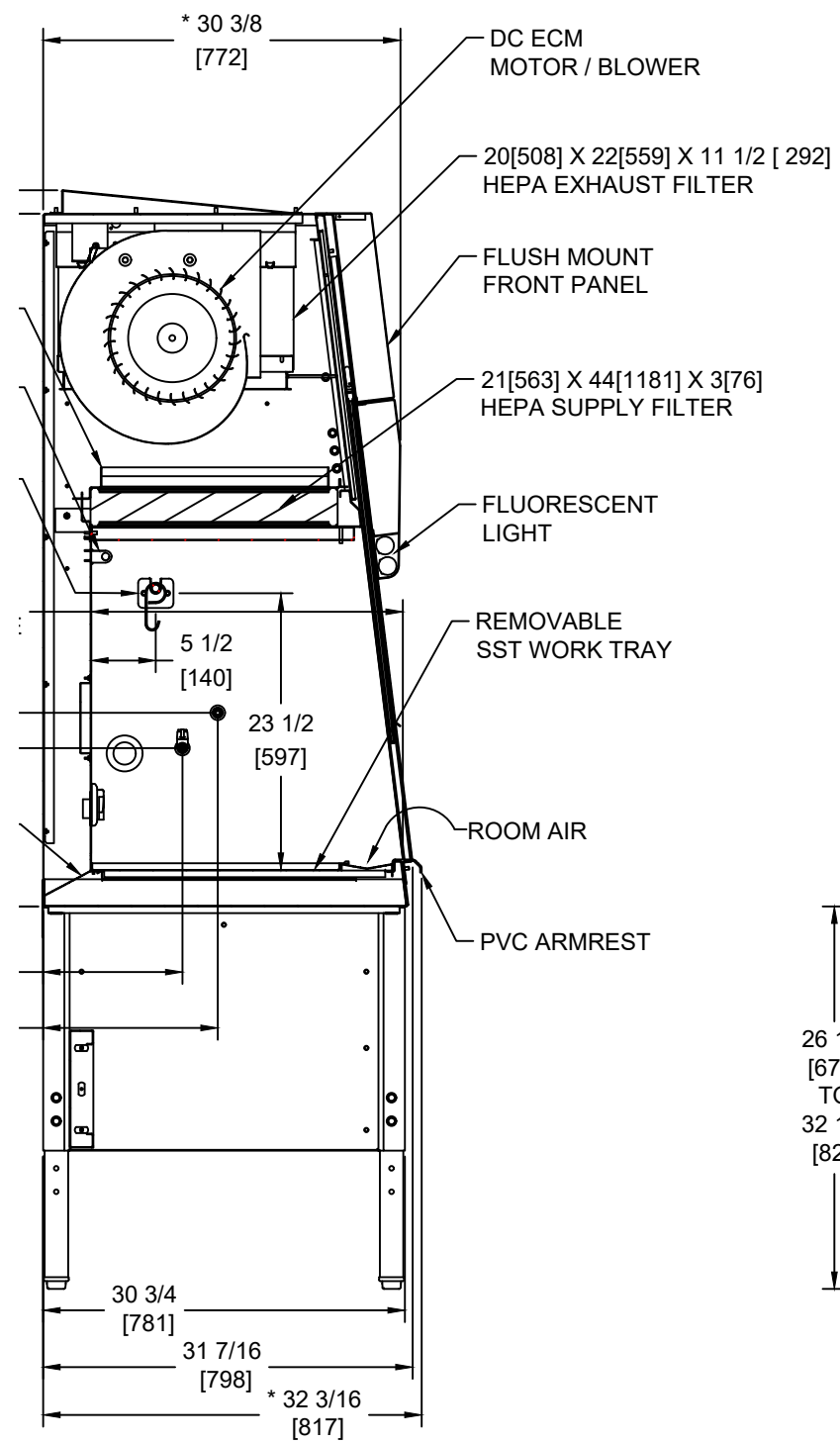


* OVERALL DIMENSIONAL TOLERANCE ±1/4 [6]. ALL OTHER DIMENSIONS ±1/8 [3.17]

NU-543-400J CLASS II, TYPE A2 (ENERGY SA) BIOLOGICAL SAFETY CABIN				
DFTM	TH	1/4/2018	CHKD	DSH
DRAWING NUMBER		BCD-19612		

INCH
MILLIMETER

REV	CO	DESCRIPTION	DATE
C	000794	CORRECTED ACCESS OPENING DIM	4/16/2021



* OVERALL DIMENSIONAL TOLERANCE ±1/4 [6]. ALL OTHER DIMENSIONS ±1/8 [3.17]

NU-543-400J CLASS II, TYPE A2 (ENERGY SA) BIOLOGICAL SAFETY CABIN				
DFTM	TH	1/4/2018	CHKD	DSH
DRAWING NUMBER		BCD-19612		

INCH
MILLIMETER