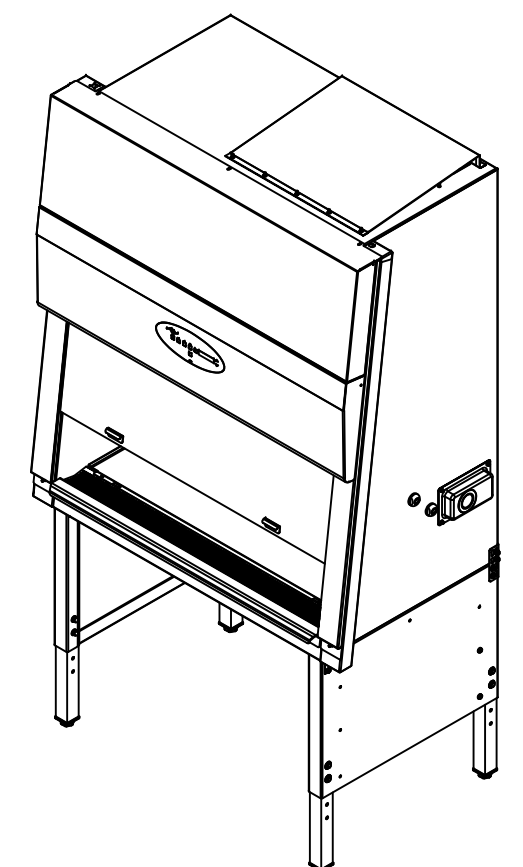
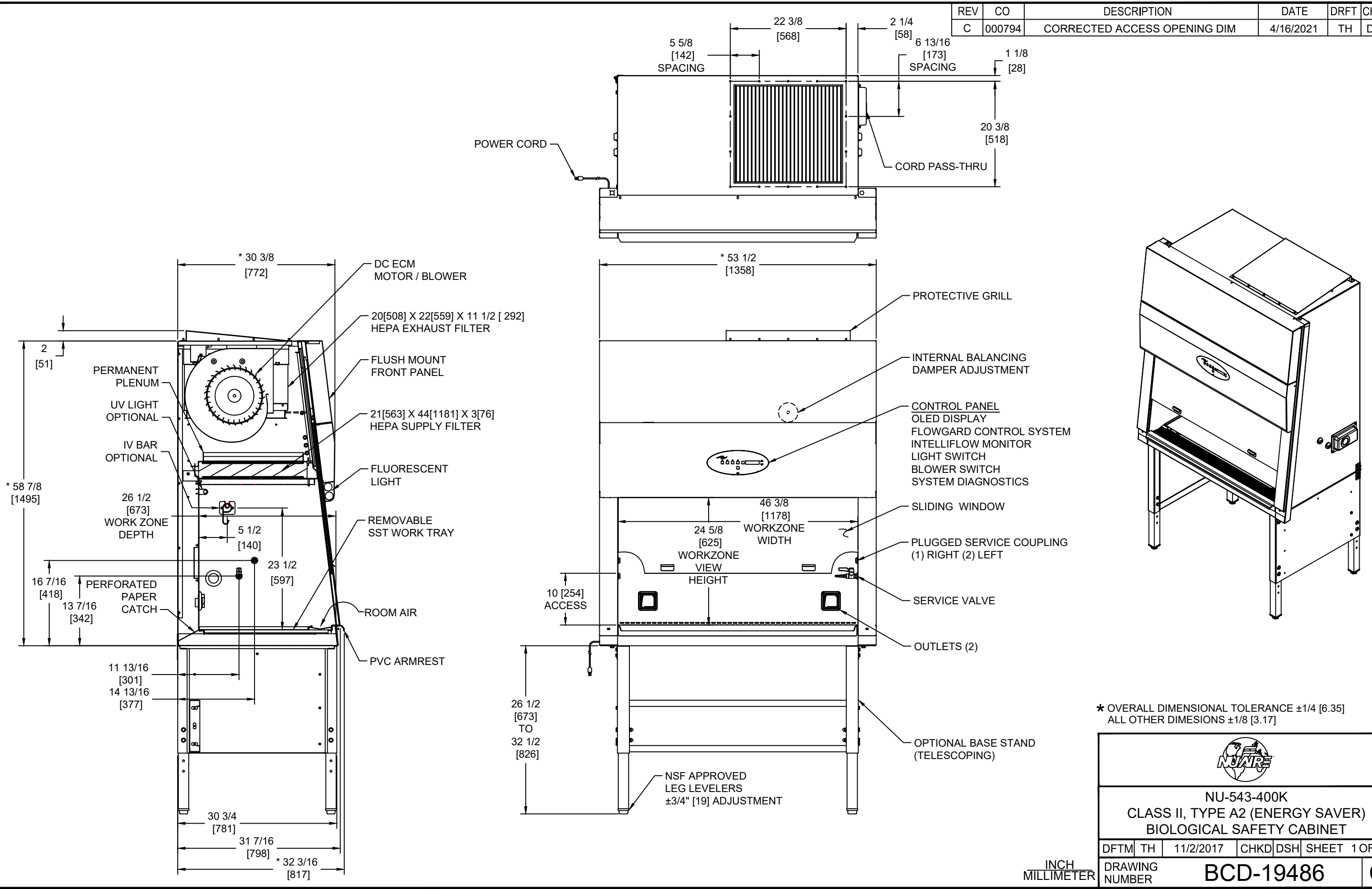


REV	CO	DESCRIPTION	DATE	DRFT	CHKD
C	000794	CORRECTED ACCESS OPENING DIM	4/16/2021	TH	DSH

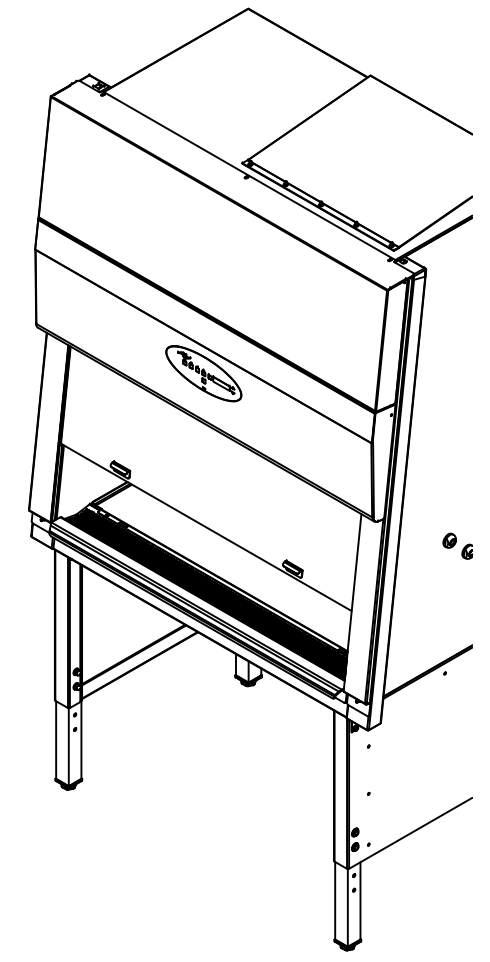
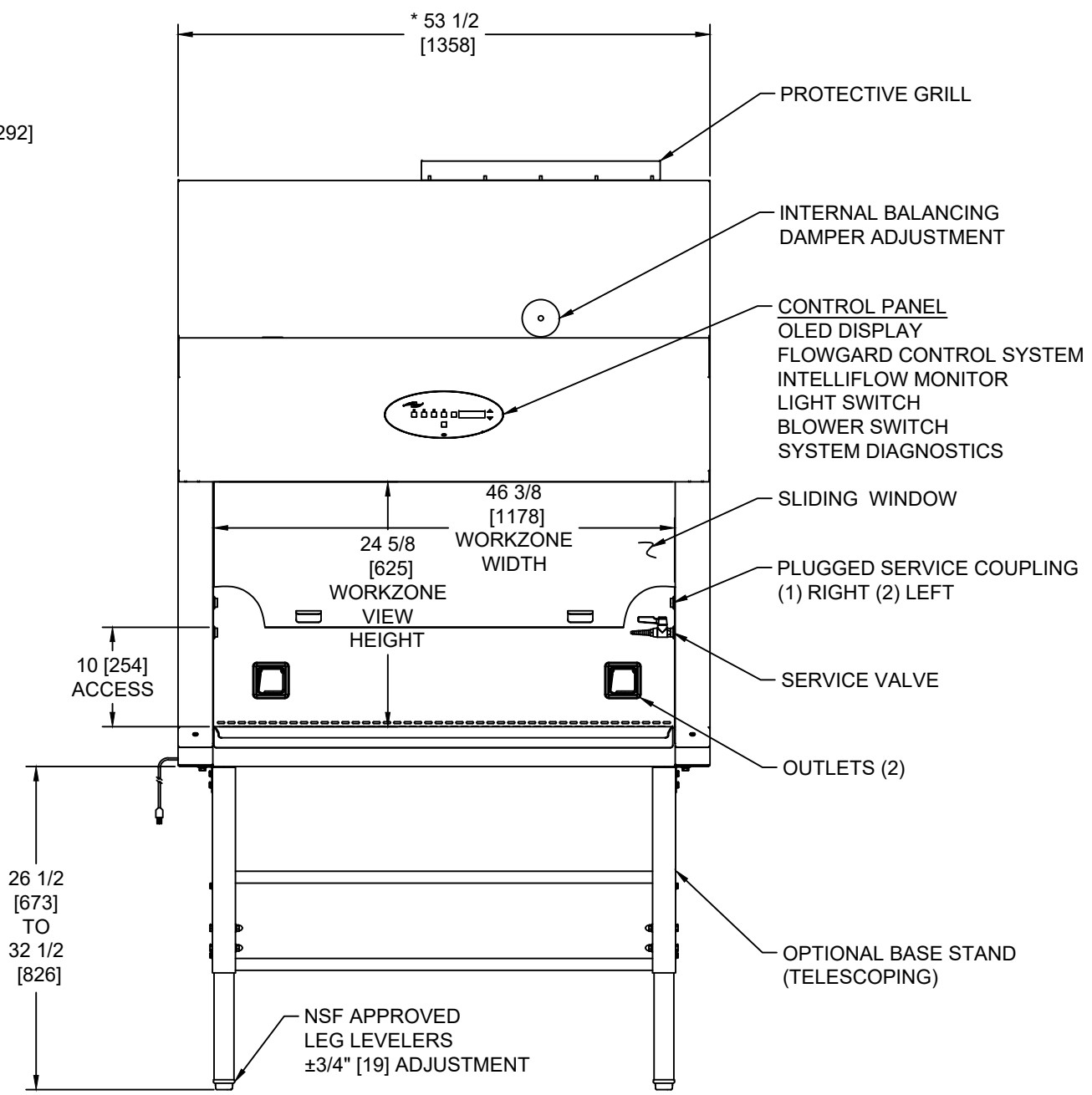
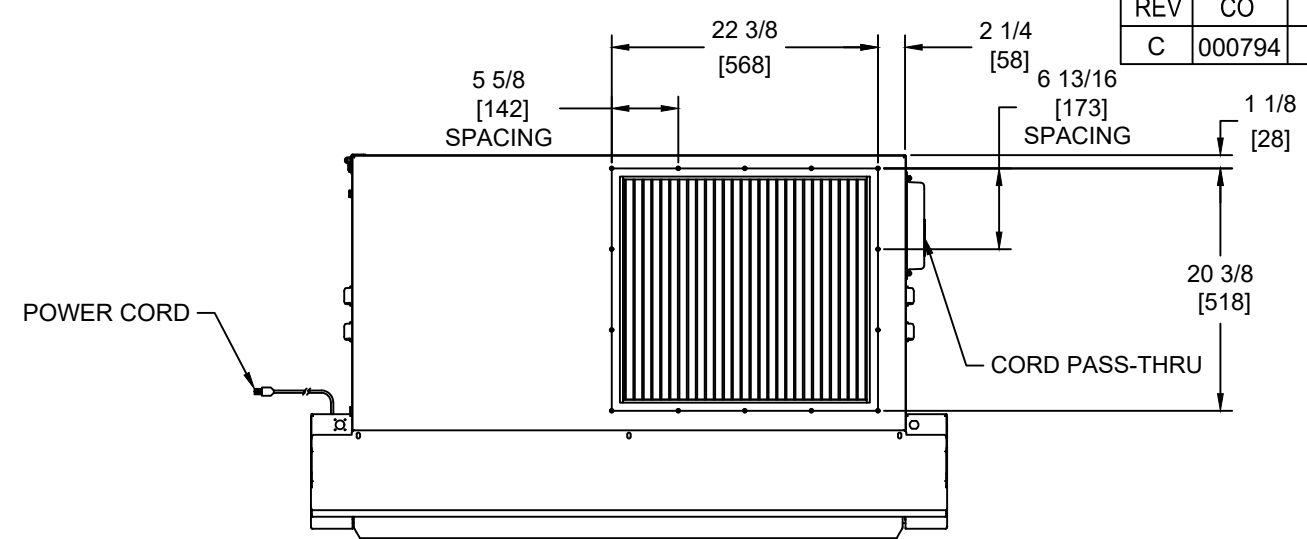
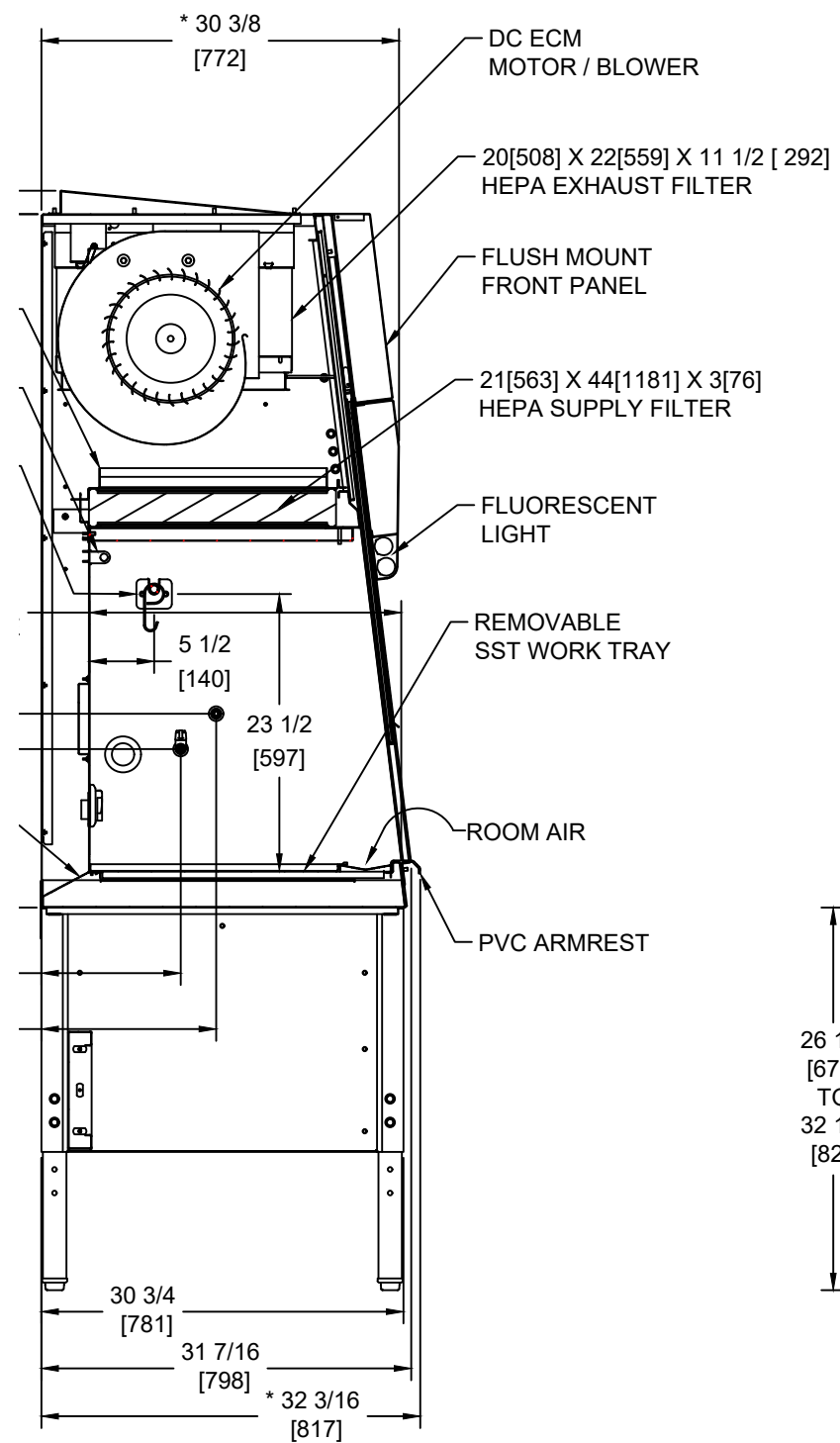


\* OVERALL DIMENSIONAL TOLERANCE ±1/4 [6.35]  
ALL OTHER DIMENSIONS ±1/8 [3.17]

<b>NU-543-400K</b> <b>CLASS II, TYPE A2 (ENERGY SAVER)</b> <b>BIOLOGICAL SAFETY CABINET</b>					
DFTM	TH	11/2/2017	CHKD	DSH	SHEET 1 OF 1
DRAWING NUMBER				<b>BCD-19486</b>	
					<b>C</b>

INCH  
MILLIMETER

REV	CO	DESCRIPTION	DATE
C	000794	CORRECTED ACCESS OPENING DIM	4/16/2021

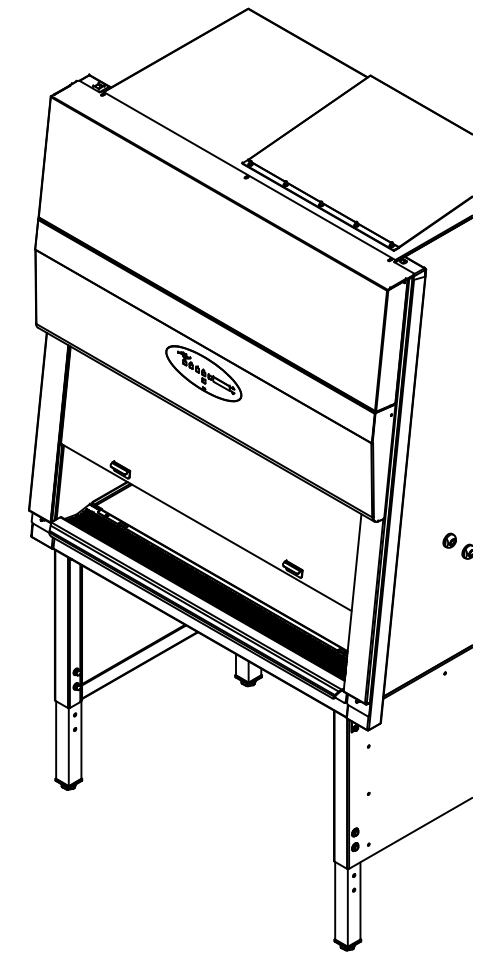
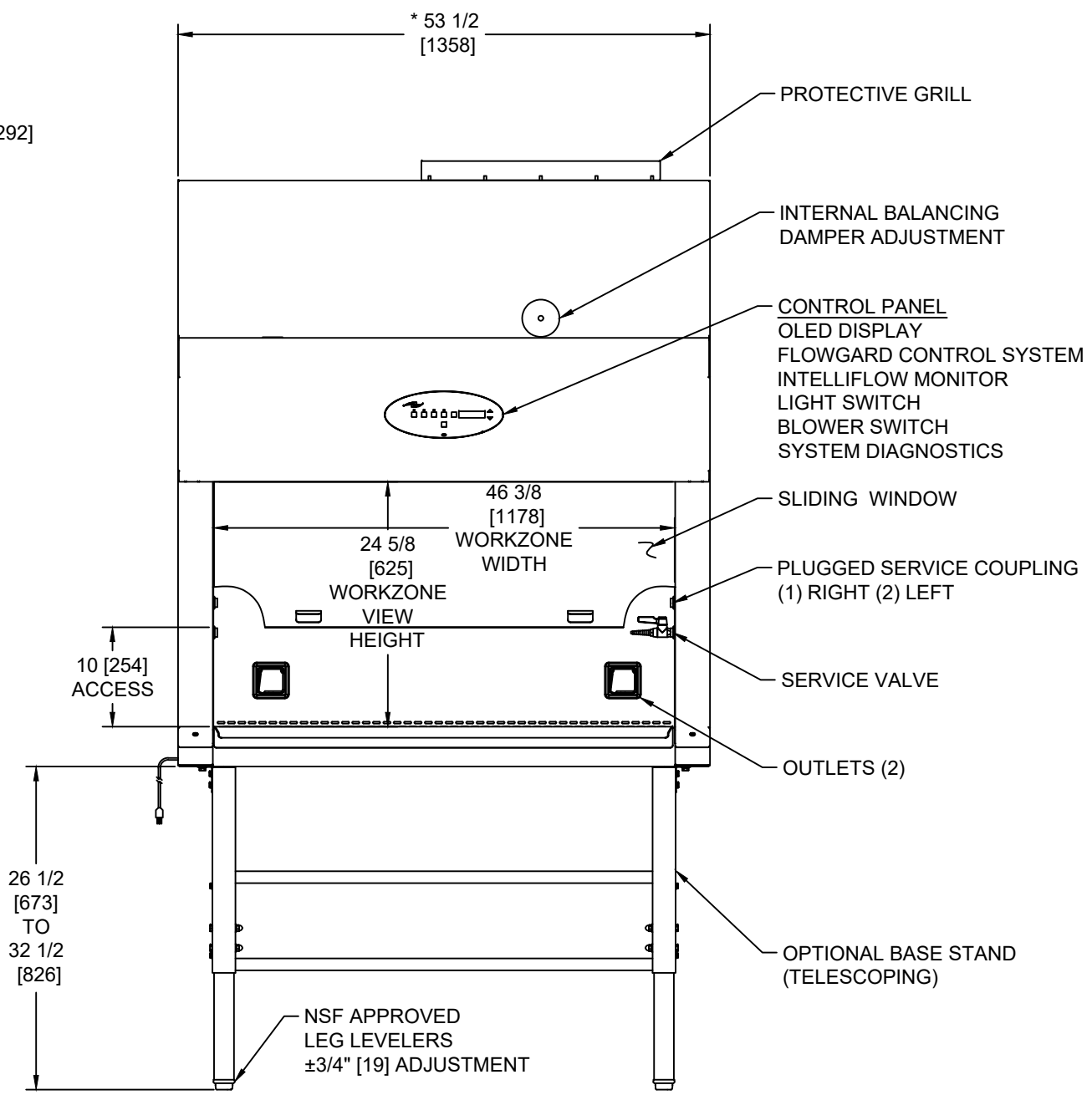
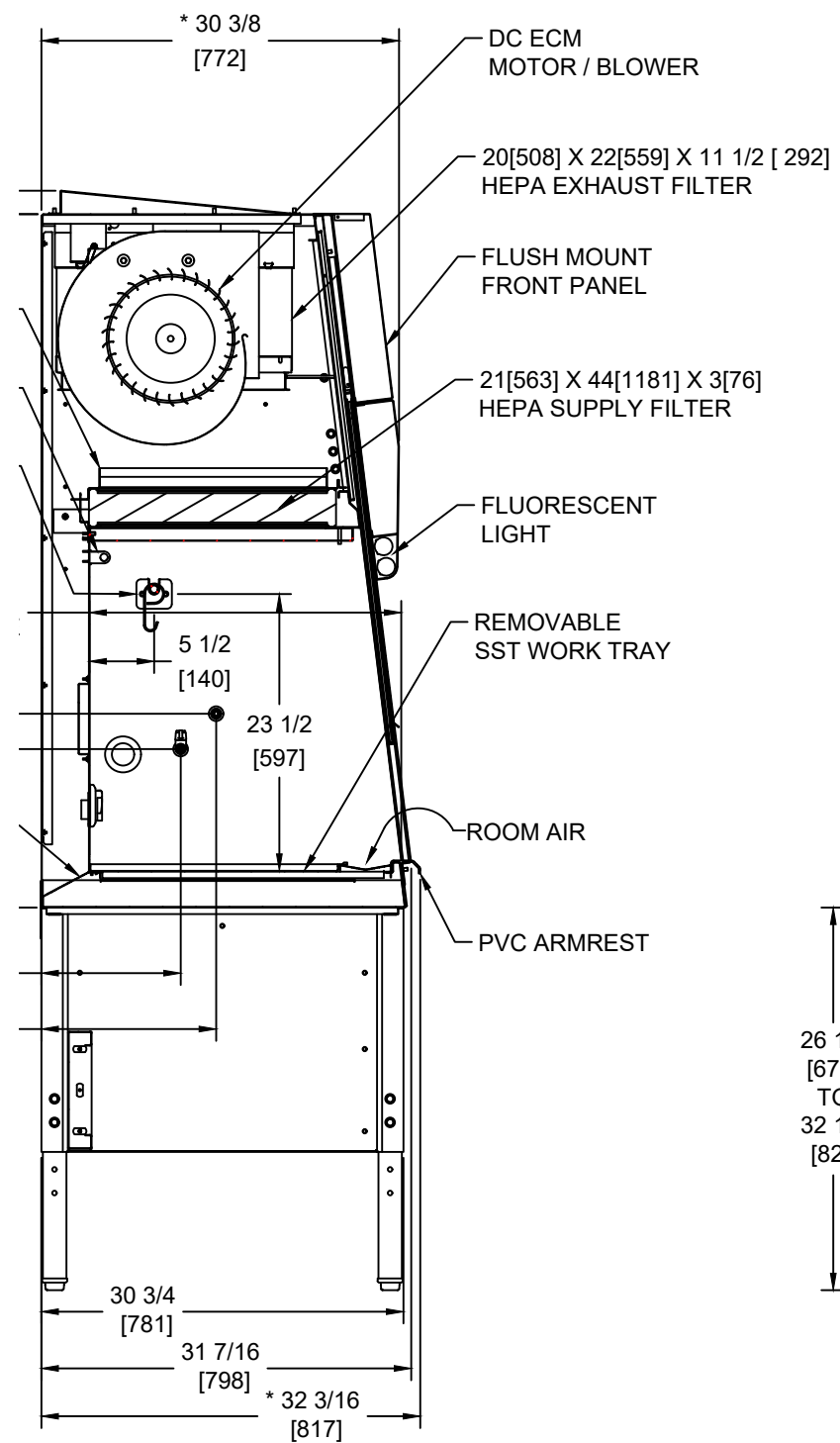
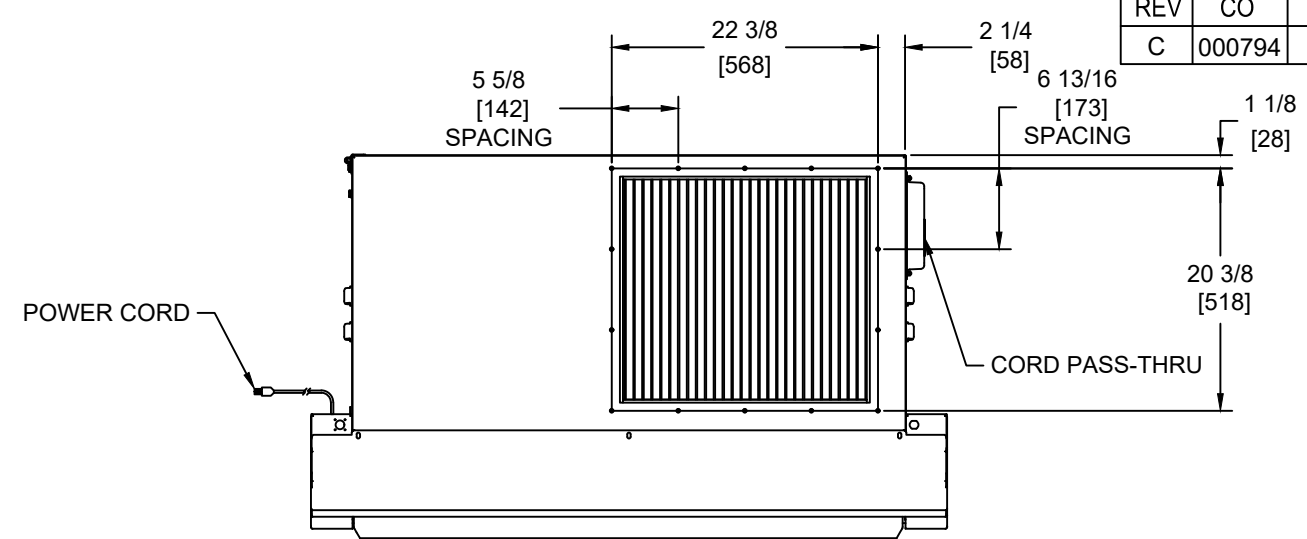


\* OVERALL DIMENSIONAL TOLERANCE ±1/4 [6]. ALL OTHER DIMENSIONS ±1/8 [3.17]

<b>NU-543-400K</b> <b>CLASS II, TYPE A2 (ENERGY SAFE)</b> <b>BIOLOGICAL SAFETY CABIN</b>				
DFTM	TH	11/2/2017	CHKD	DSH
DRAWING NUMBER		<b>BCD-19486</b>		

INCH  
MILLIMETER

REV	CO	DESCRIPTION	DATE
C	000794	CORRECTED ACCESS OPENING DIM	4/16/2021



\* OVERALL DIMENSIONAL TOLERANCE ±1/4 [6]. ALL OTHER DIMENSIONS ±1/8 [3.17]

NU-543-400K CLASS II, TYPE A2 (ENERGY SAVING) BIOLOGICAL SAFETY CABIN				
DFTM	TH	11/2/2017	CHKD	DSH
DRAWING NUMBER		<b>BCD-19486</b>		

INCH  
MILLIMETER