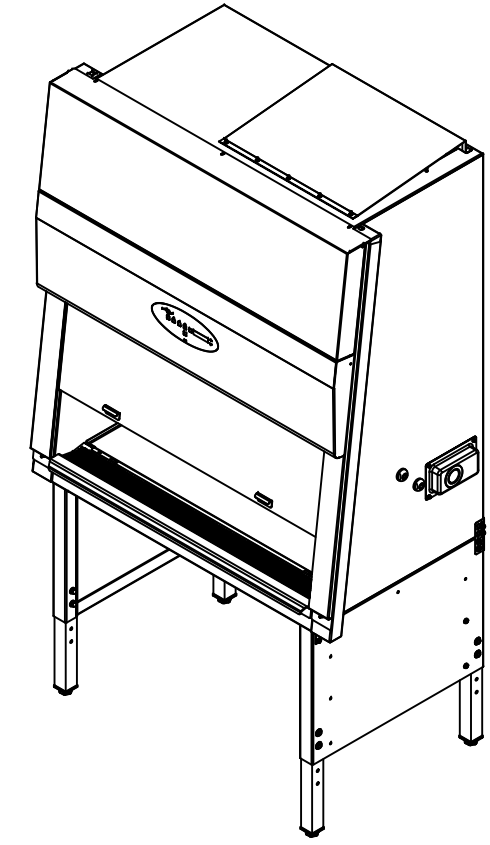
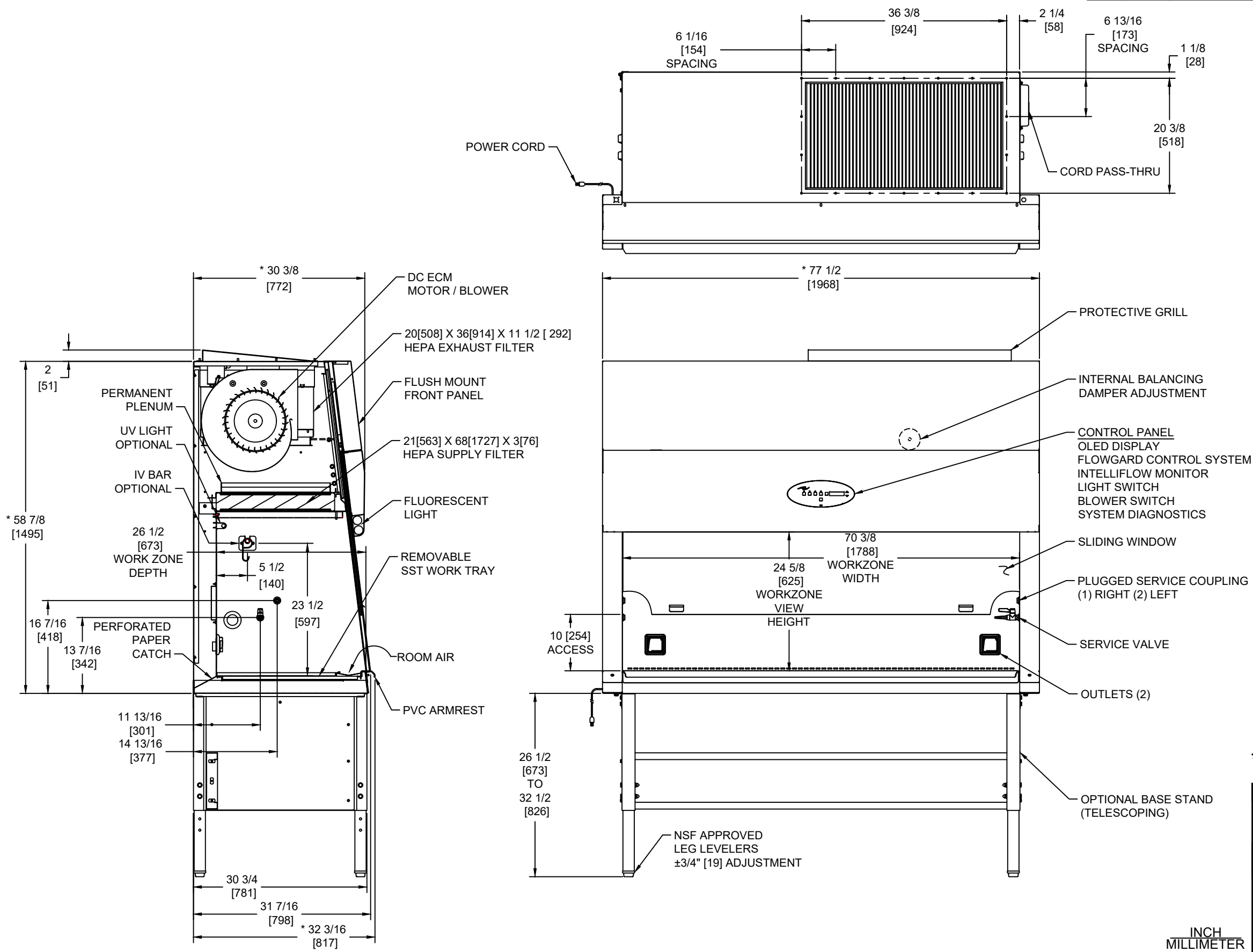


REV	CO	DESCRIPTION	DATE	DRFT	CHKD
C	000794	CORRECTED ACCESS OPENING DIM	4/16/2021	TH	DSH

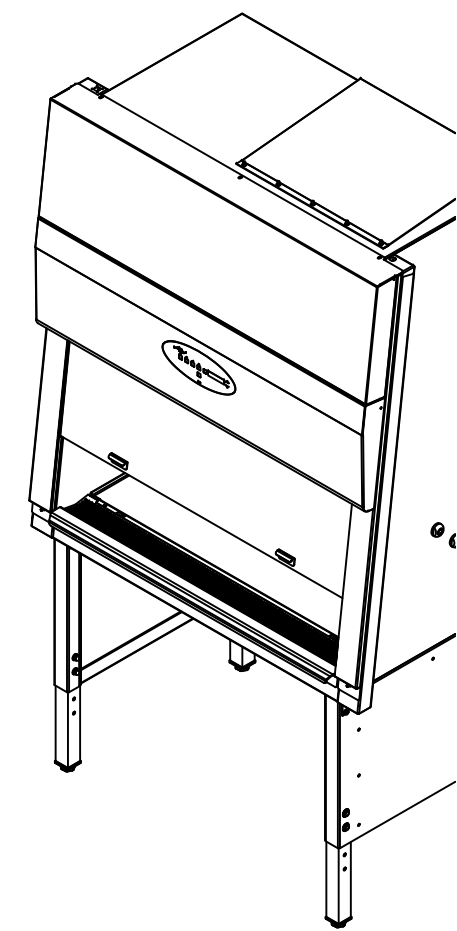
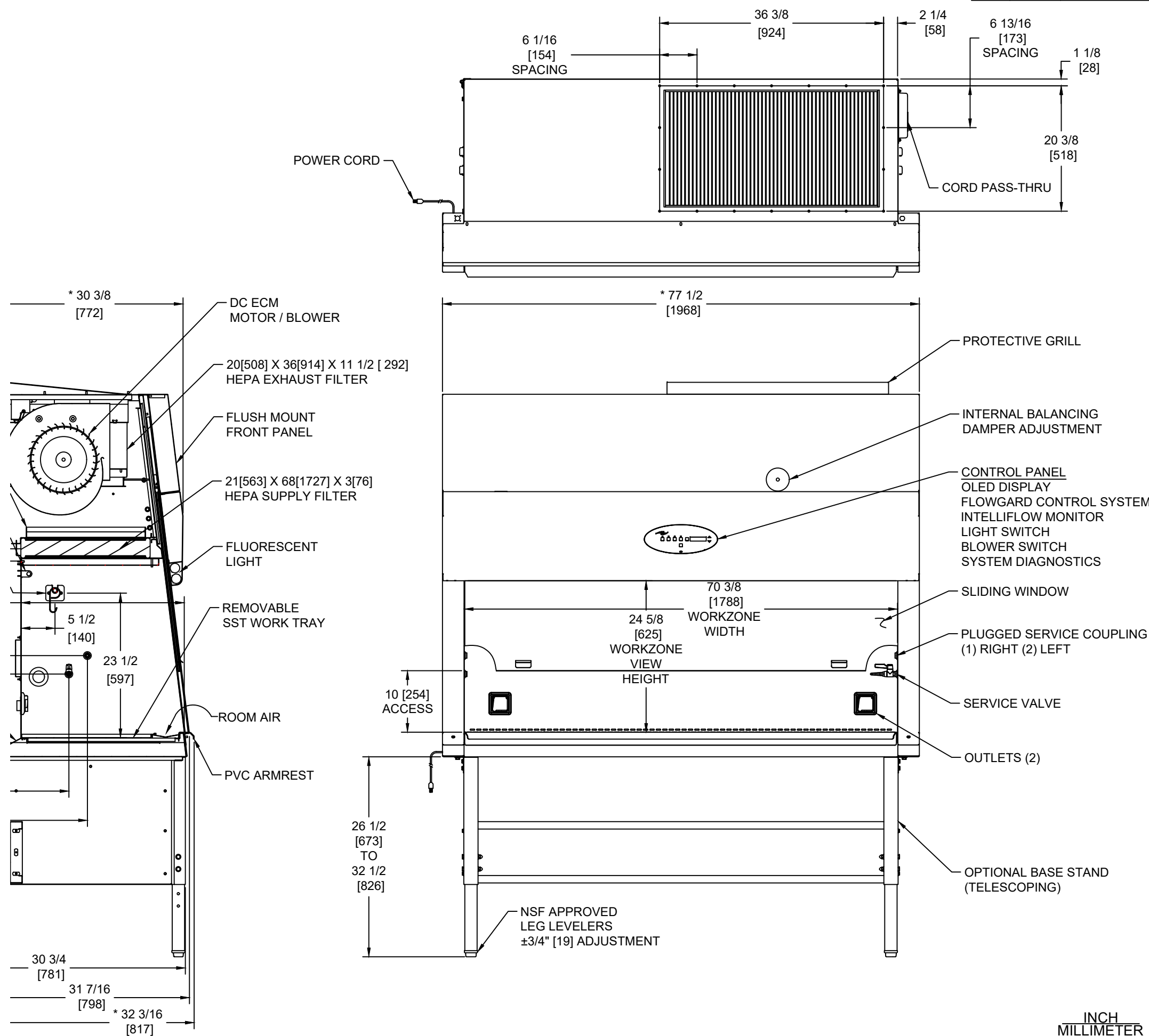


* OVERALL DIMENSIONAL TOLERANCE ±1/4 [6.35]
ALL OTHER DIMENSIONS ±1/8 [3.17]

NU-543-600K CLASS II, TYPE A2 (ENERGY SAVER) BIOLOGICAL SAFETY CABINET					
DFTM	TH	11/3/2017	CHKD	DSH	SHEET 1 OF 1
DRAWING NUMBER		BCD-19488			C

INCH
MILLIMETER

REV	CO	DESCRIPTION	DATE
C	000794	CORRECTED ACCESS OPENING DIM	4/16/2021

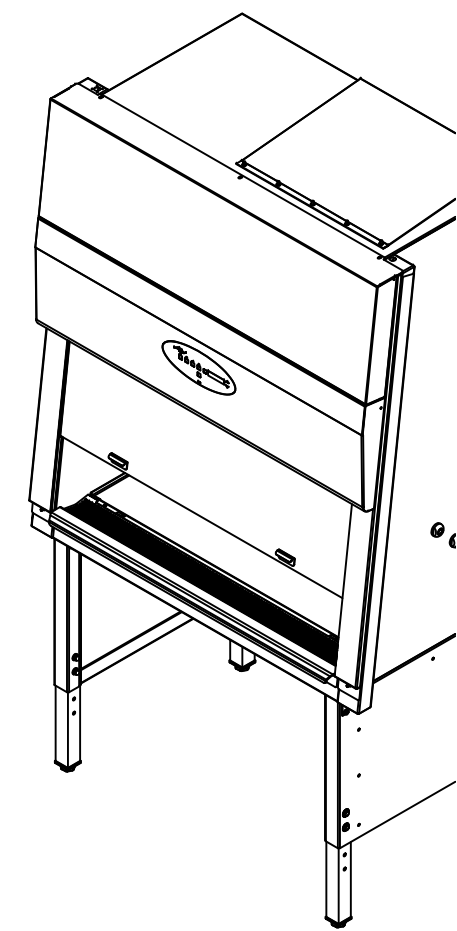
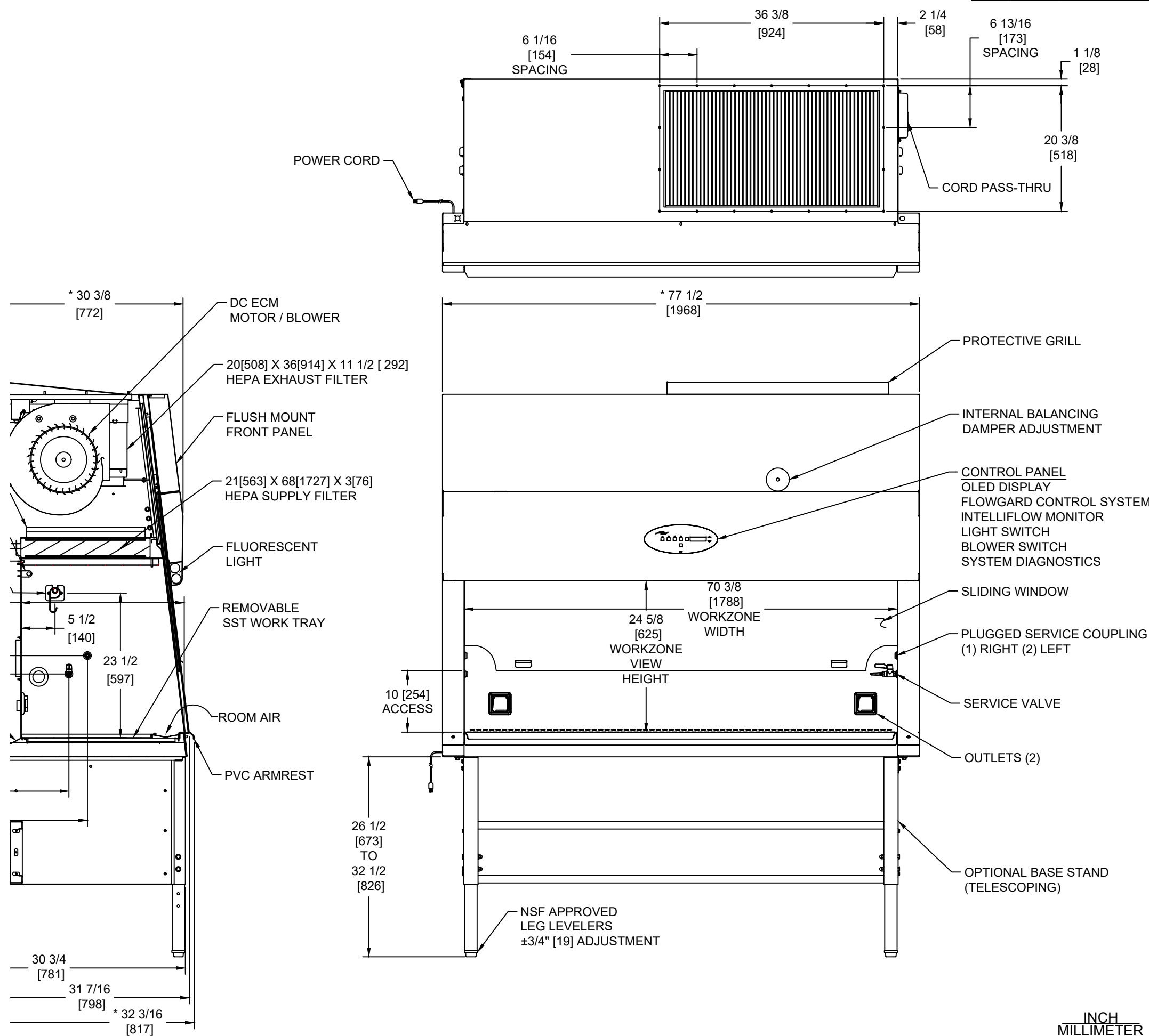


* OVERALL DIMENSIONAL TOLERANCE ±1/4 [6.3]
ALL OTHER DIMENSIONS ±1/8 [3.17]

NU-543-600K CLASS II, TYPE A2 (ENERGY SAVING) BIOLOGICAL SAFETY CABIN				
DFTM	TH	11/3/2017	CHKD	DSH
DRAWING NUMBER		BCD-19488		

INCH
MILLIMETER

REV	CO	DESCRIPTION	DATE
C	000794	CORRECTED ACCESS OPENING DIM	4/16/2021



* OVERALL DIMENSIONAL TOLERANCE ±1/4 [6.3]
ALL OTHER DIMENSIONS ±1/8 [3.17]

NU-543-600K				
CLASS II, TYPE A2 (ENERGY SAVING) BIOLOGICAL SAFETY CABIN				
DFTM	TH	11/3/2017	CHKD	DSH
DRAWING NUMBER		BCD-19488		

INCH
MILLIMETER