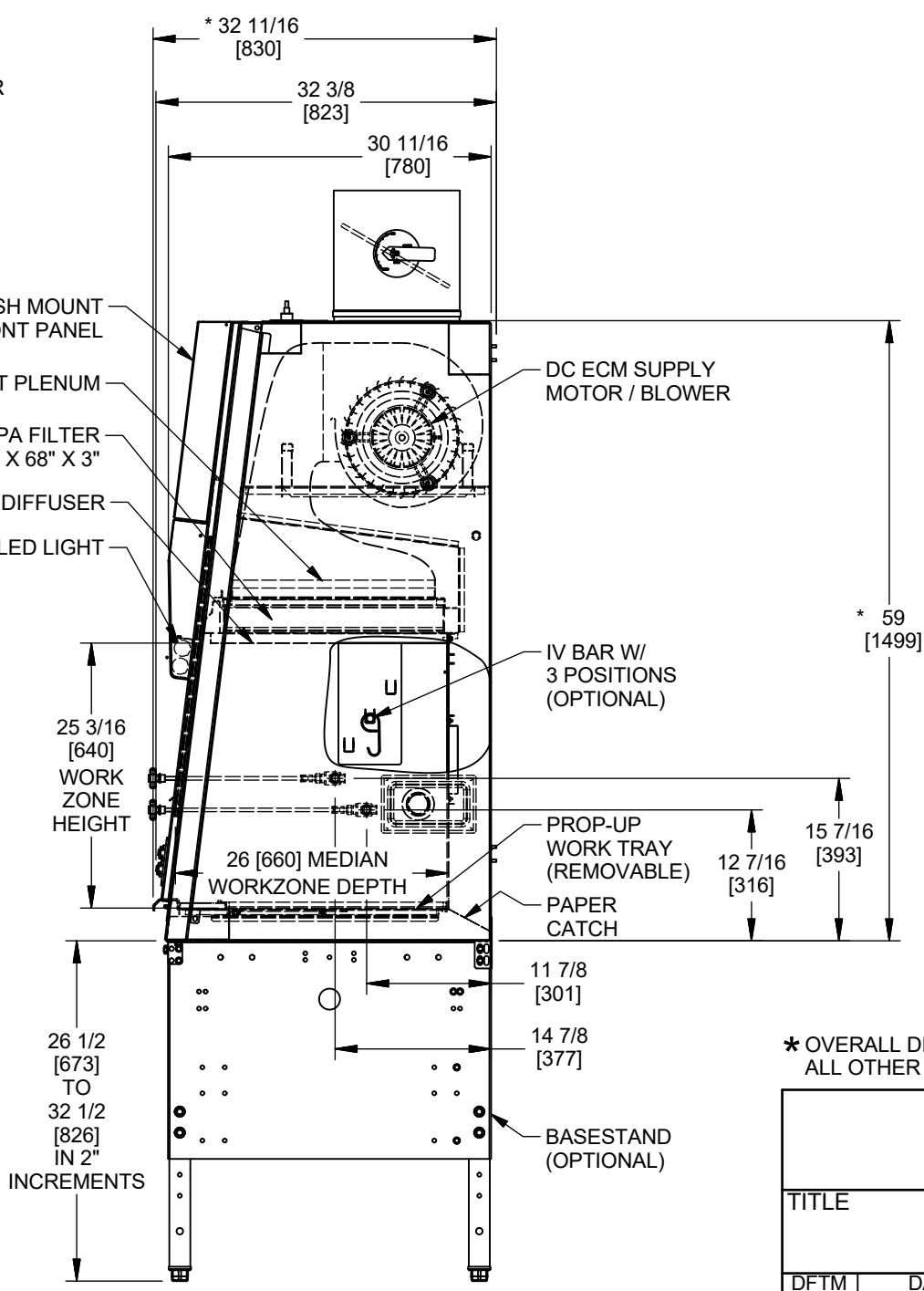
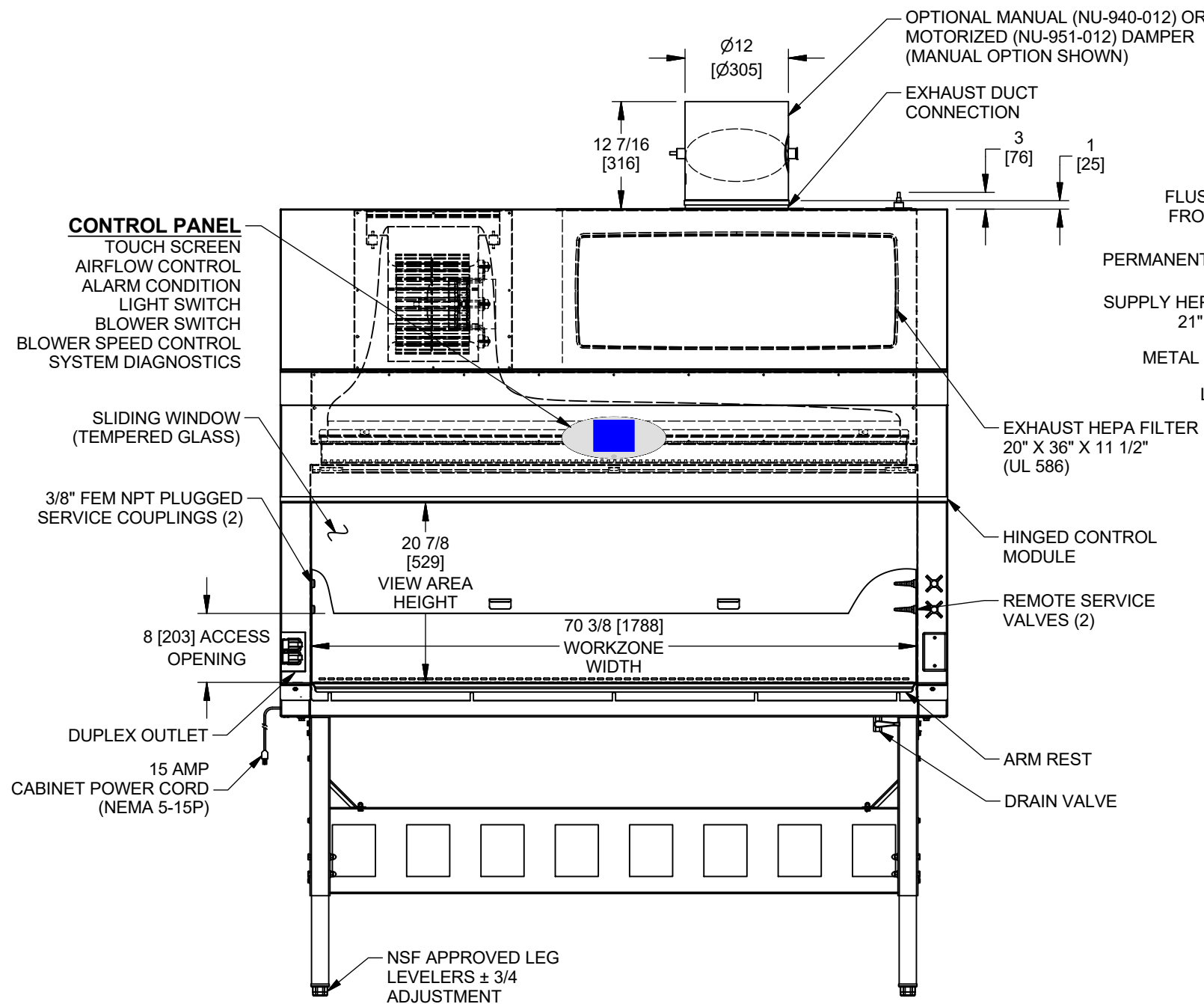
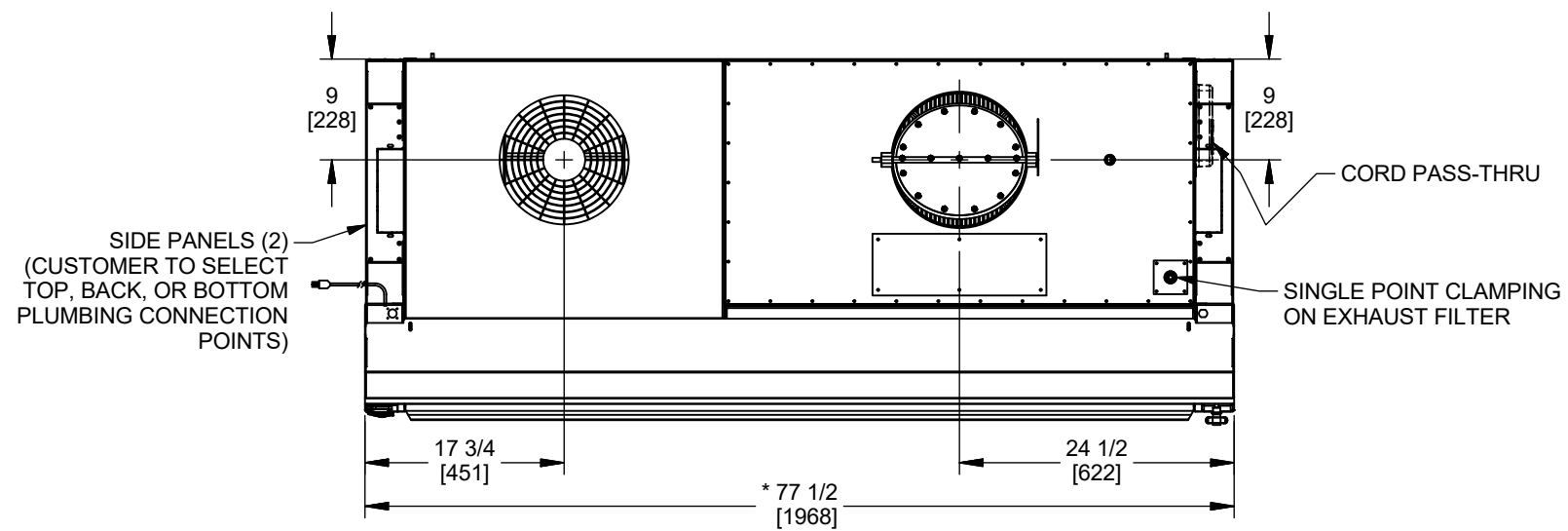


REV	CO	DESCRIPTION	DATE	DFTM	CHKD
B	000147	UPDATED	10/7/2019	TH	DSH



* OVERALL DIMENSIONAL TOLERANCE ±1/4 [6.35]
ALL OTHER DIMENSIONS ±1/8 [3.17]

TITLE NU-560-600 Class II Type B2 Biosafety Fume Hood					
DFTM LS	DATE 5/21/2018	CHKD BP	SHEET 1	OF 1	
DRAWING NUMBER		BCD-20052			B

INCH
MILLIMETER