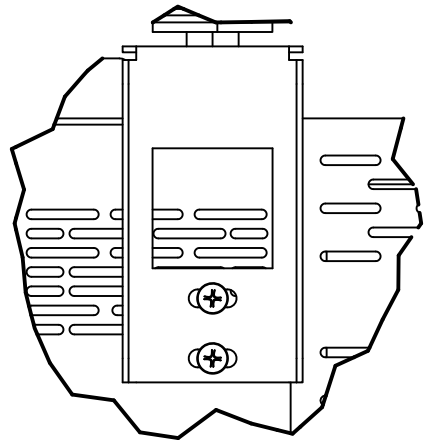
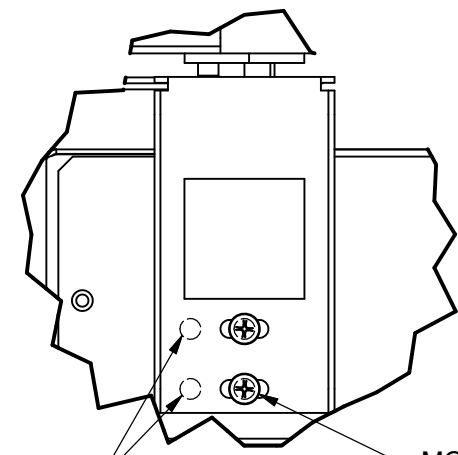


| REV | ECO | DESCRIPTION | DATE | DFTM | CHKD |
|-----|-------|------------------------|-----------|------|------|
| A | 13428 | RELEASED TO PRODUCTION | 7/27/2017 | TH | JCP |



DETAIL B
(BOTH SIDES)

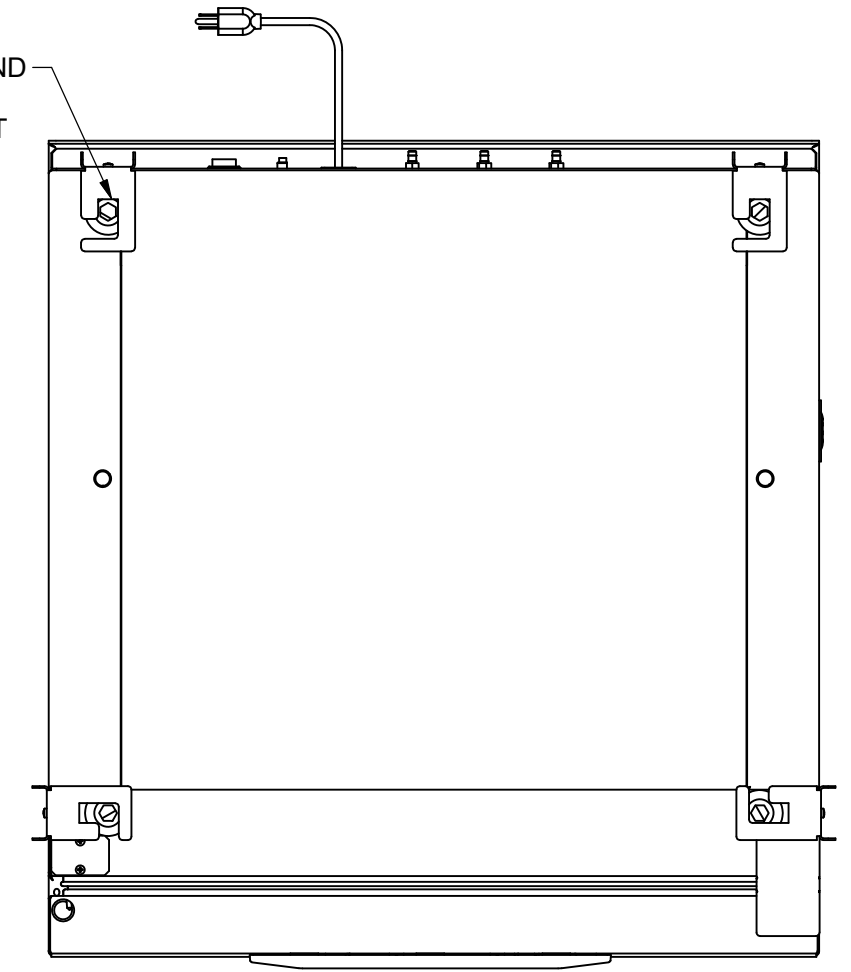
REMOVE SCREWS BEFORE
INSTALLING BRACKETS



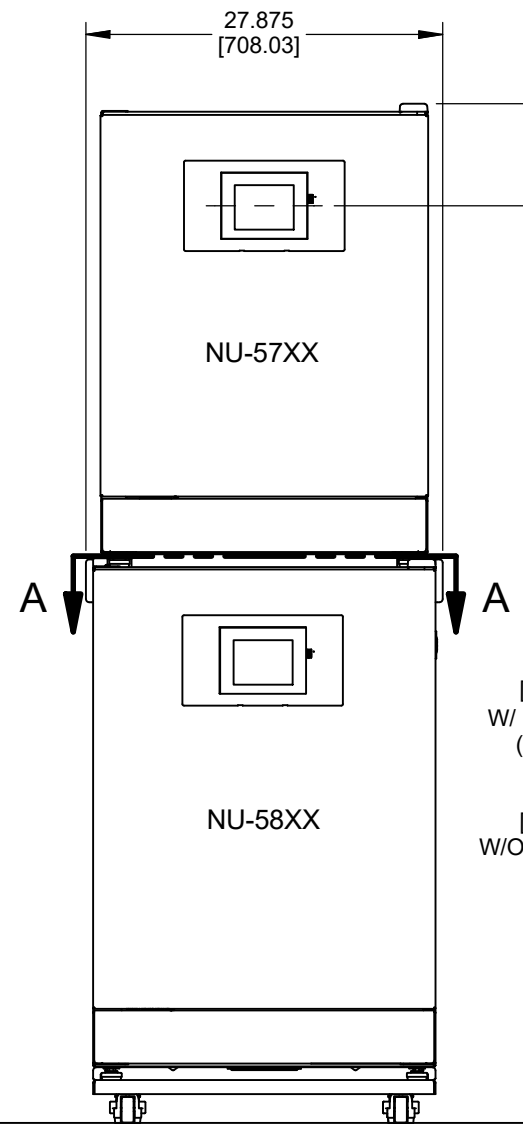
DETAIL C
(2 PLACES)

MOUNT USING INNERMOST
PAIR OF HOLES.

HOOK STACKING BRACKETS AROUND
UPPER INCUBATOR FEET AS SHOWN
BEFORE SECURING TO LOWER UNIT



SECTION A-A

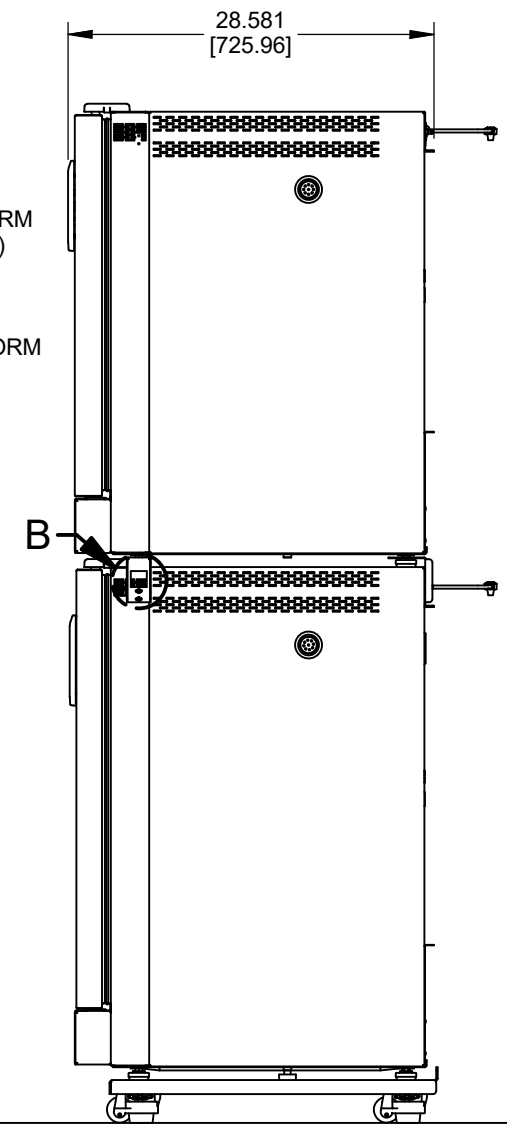


79.616
[2022.25]
W/ PLATFORM
(SHOWN)

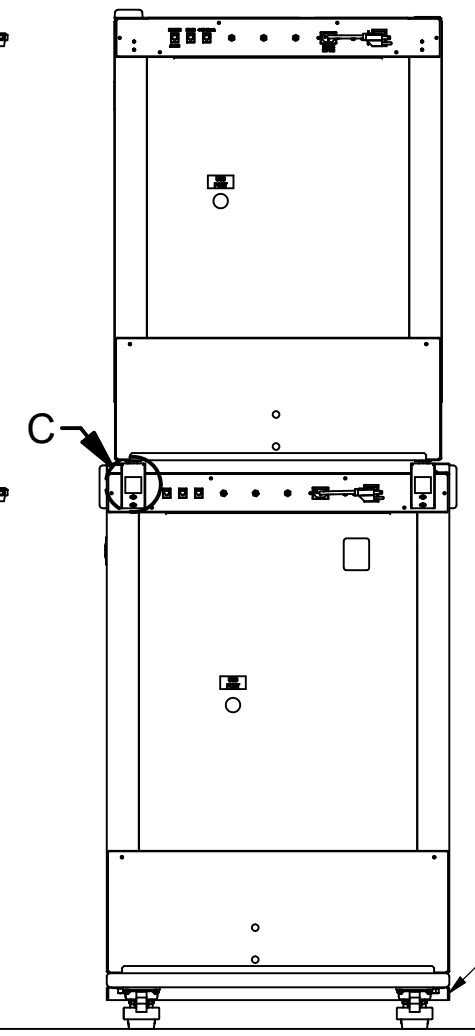
76.261
[1937.03]
W/O PLATFORM

71.639
[1819.63]
W/ PLATFORM
(SHOWN)

68.284
[1734.41]
W/O PLATFORM



28.581
[725.96]



FOR INSTALLATION
OF CASTOR PLATFORM
SEE BCD-13189

- NOTE:
- WHEN STACKING, USE NO FEWER THAN 2 PEOPLE.
 - WHEN STACKING, LOAD TOP INCUBATOR FROM BACK OR SIDE OF BASE INCUBATOR TO PREVENT DAMAGE TO TOUCH SCREEN.
 - POSITION TOP INCUBATOR BEFORE INSTALLING BRACKETS.

NOTE: DO NOT ATTEMPT TO STACK NU-58XX ON NU-57XX

| | | | | | |
|-----------------------|-----------|------|-----------|---|------|
| | | | | | |
| TITLE | | | | | |
| NU-58XX, 57XX STACKED | | | | | |
| DFTM | DATE | CHKD | SHEET | 1 | OF 1 |
| TH | 7/27/2017 | JCP | | | |
| DRAWING NUMBER | | | BCD-19204 | | A |