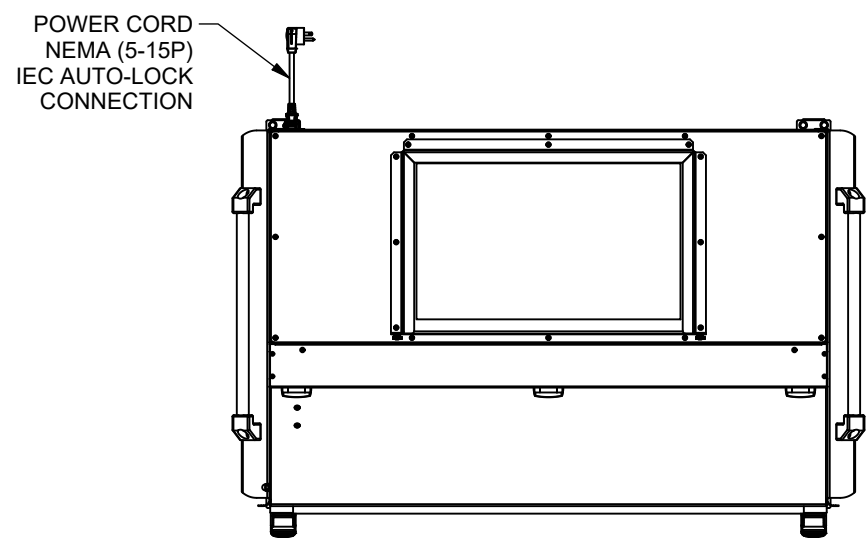
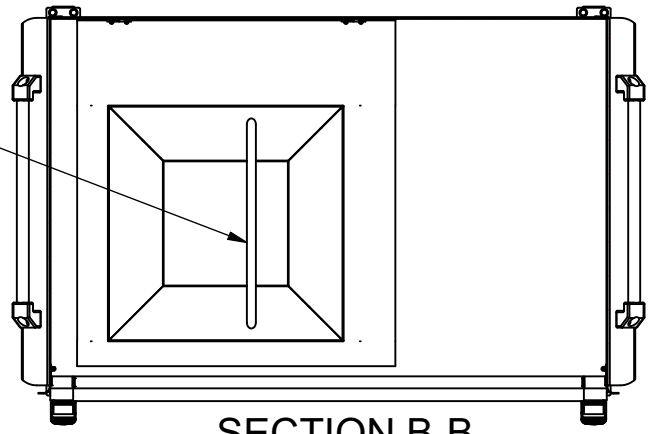


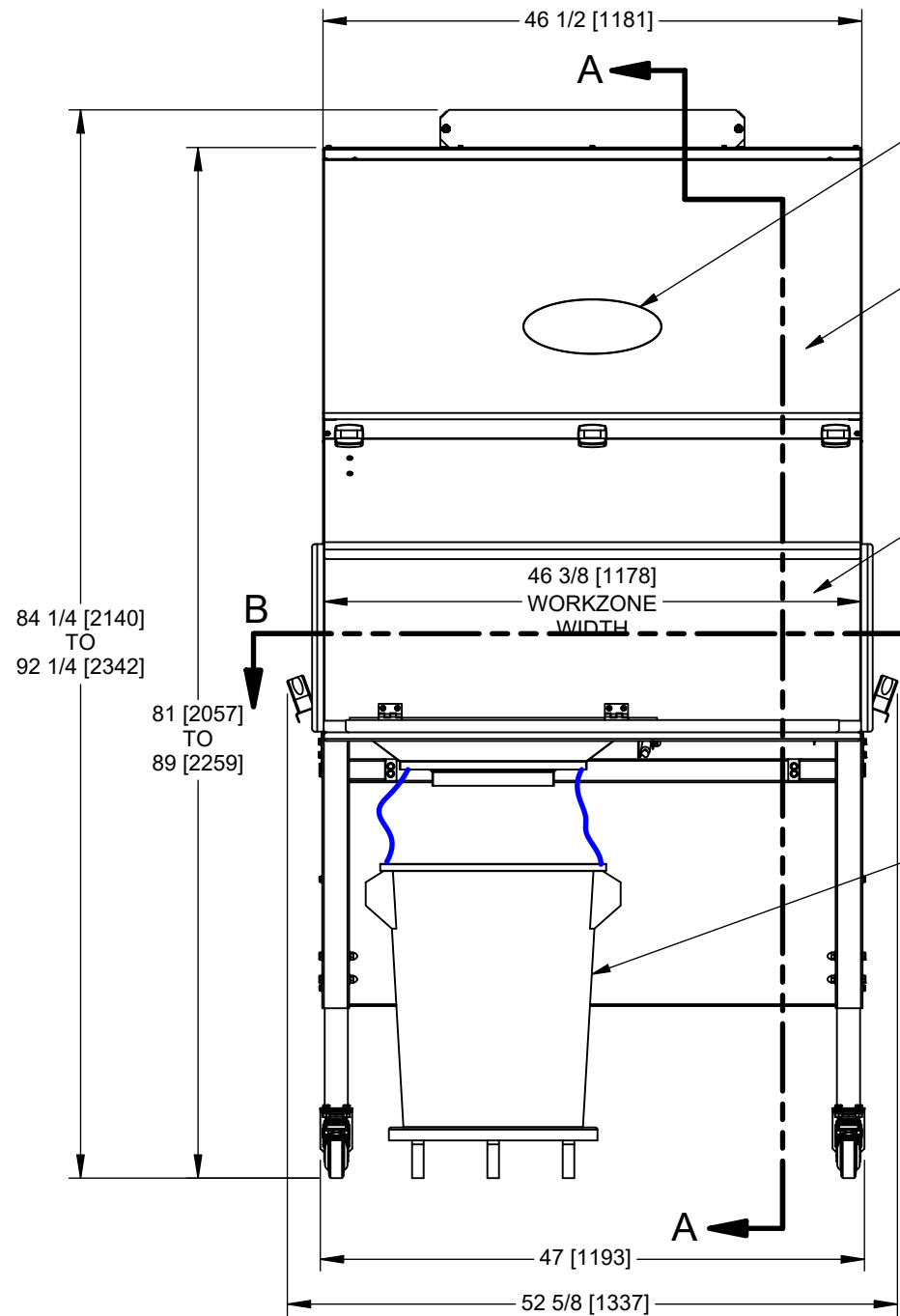
REV	CO	DESCRIPTION	DATE	DFTR	CHKD
A	000742	RELEASED TO PRODUCTION	3/18/2021	LS	MSS



PNEUMATIC LIFT
HINGED WORK SURFACE
BAG ACCESS W/BANG BAR



SECTION B-B
WORK SURFACE



CONTROL PANEL
AEROMAX CONTROL SYSTEM
PRESSURE FLOW CONTROL SYSTEM
AIRFLOW CONTROL
BLOWER SWITCH
LIGHT SWITCH
SYSTEM DIAGNOSTICS

PAINTED EXTERIOR PANELS
AIRFLOW MODULE / CONTROL BOX

SST WORKZONE

20 GALLON [76 LITER]
WASTE RECEPTACLE
ON CASTERED BASE

REMOVABLE FRONT
EXHAUST HEPA
ACCESS PANEL

HINGED CONTROL
BOX

LED LIGHT

HINGED POLYCARBONATE
VIEW SCREEN

REMOVABLE SST
AIRFOIL

14 [356]
ACCESS
HEIGHT

1 1/8 [27]

30 1/2 [775]
TO
38 1/2 [977]

24 [610] X 15 [381] X 3 [76]
C-25 CHARCOAL FILTER MODULE

DC ECM IMPELLER

PERMANENT PLENUM

15 [381] X 42 [1067] X 6 [152]
EXHAUST HEPA FILTER

12 [305] X 40 [102] X 1 [25]
PRE-FILTER
WITH HINGED ACCESS
FROM WORK ZONE

28 1/8 [715]
WORKZONE
HEIGHT

29 3/4 [756]
WORKZONE
DEPTH

SST TELESCOPING
BASE STAND
(AUTO LIFT BASE OPTIONAL)

4" LOCKING SWIVEL
PLATE CASTERS

SECTION A-A

32 7/8 [833]

INCH
MILLIMETER

TITLE NU-608-400 Telescoping Base Specification Drawing					
DFTM LS	DATE 3/18/2021	CHKD MSS	SHEET 1	OF 1	
DRAWING NUMBER CD-000105				A	