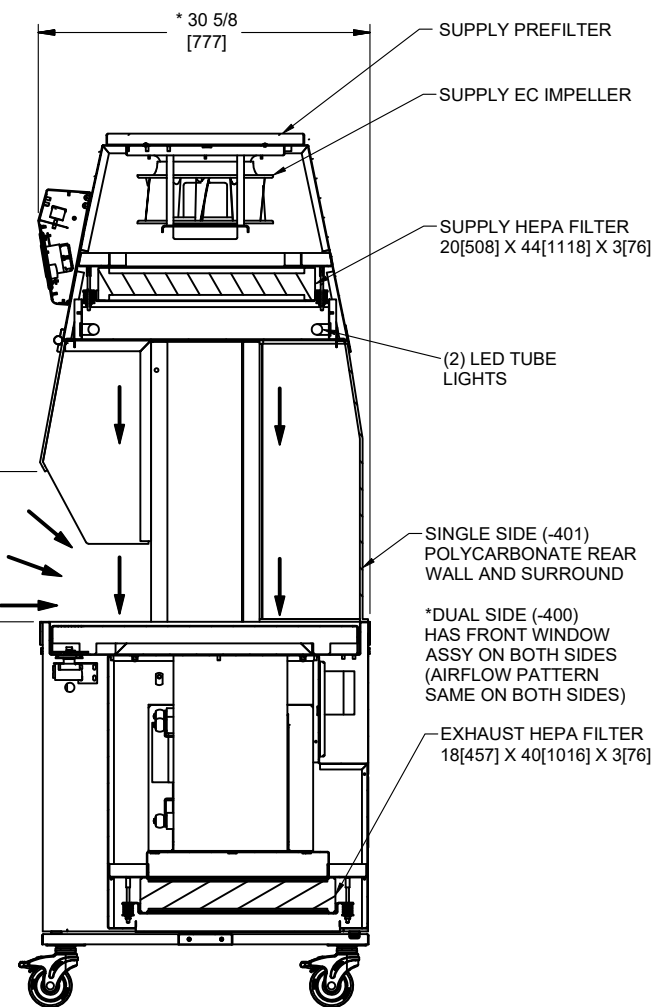
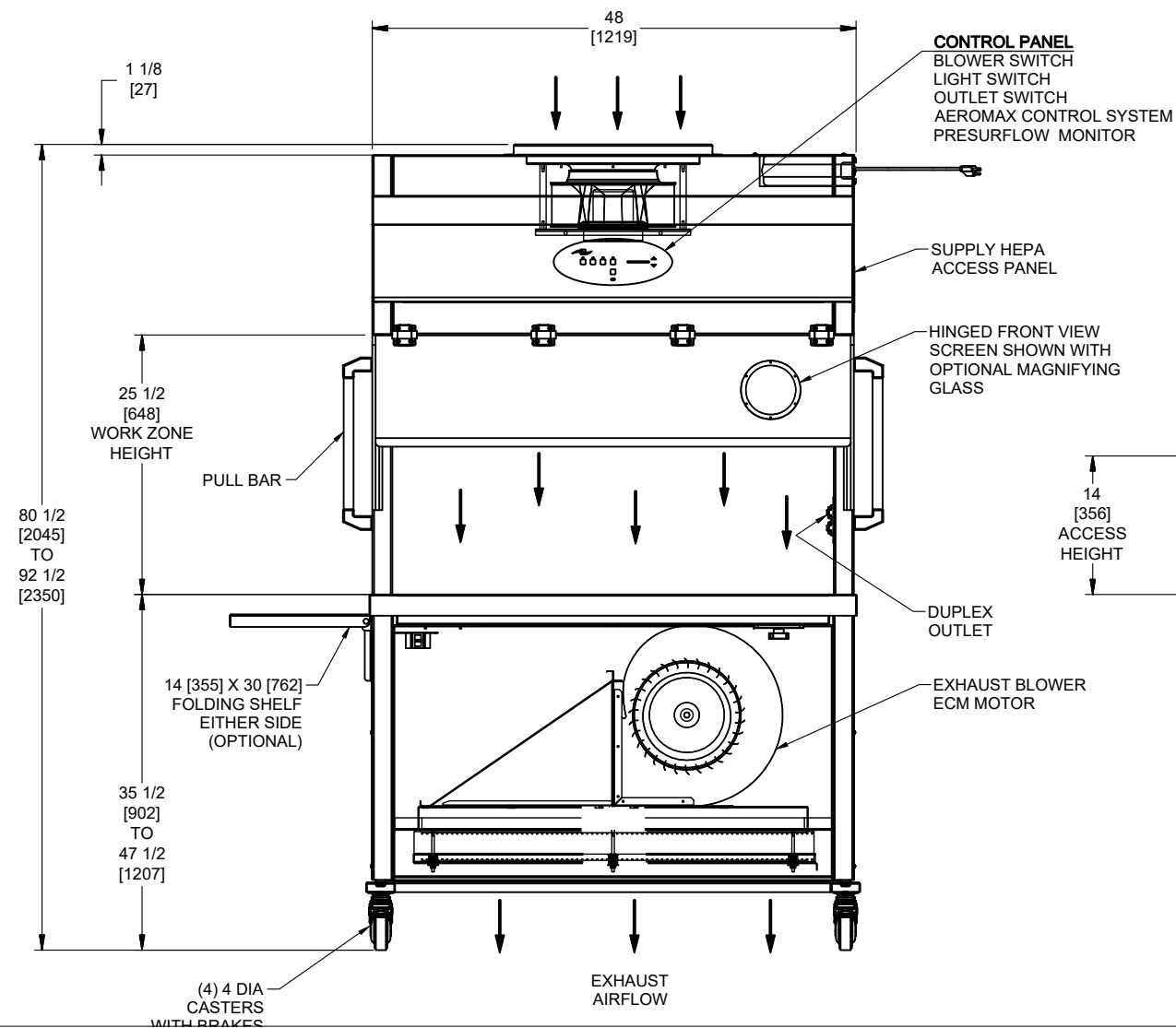
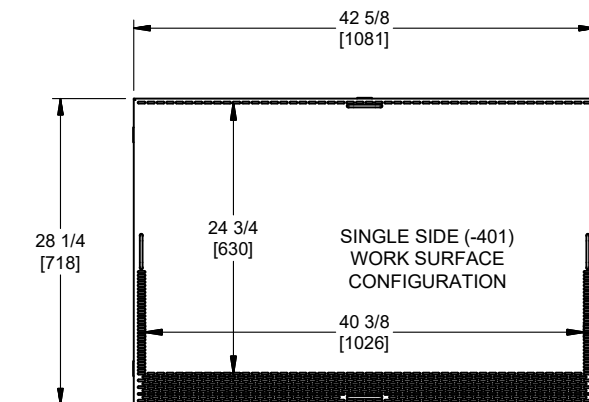
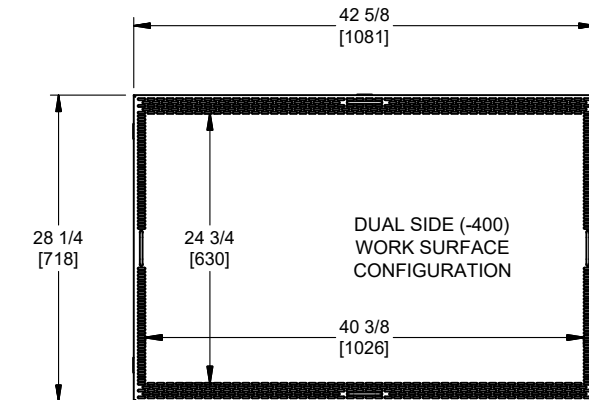
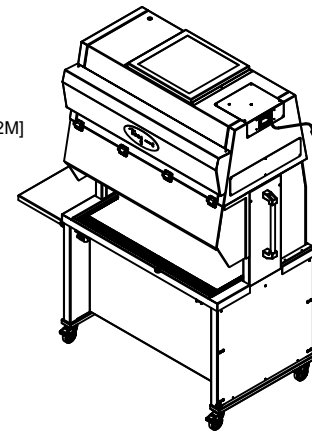
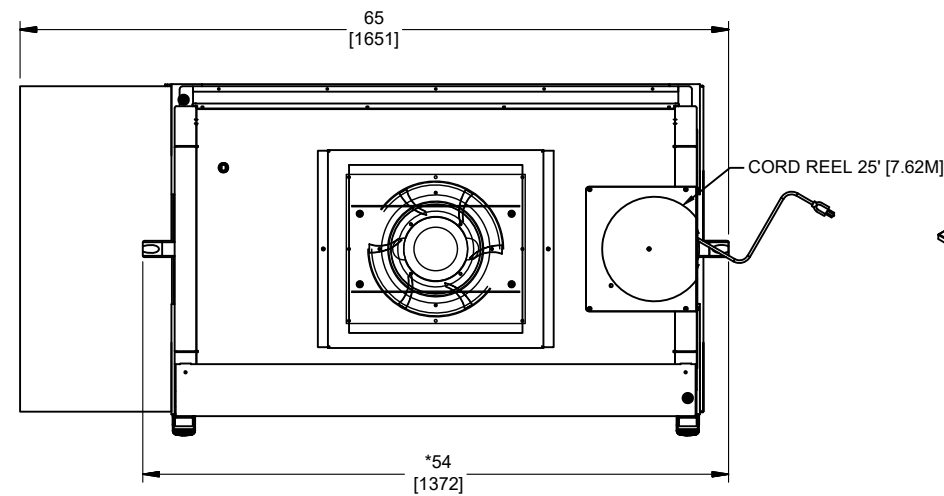


REV	ECO	DESCRIPTION	DATE	DFTM	CHKD
D	13985	ADDED FOLDING SHELF DIMS	3/5/2019	TH	MSS



\* OVERALL DIMENSIONAL TOLERANCE ±1/4 [6.35]  
ALL OTHER DIMENSIONS ±1/8 [3.17]

TITLE NU-620-400/401 SMALL ANIMAL CAGE CHANGING STATION					
DFTM	DATE	CHKD	SHEET	1 OF 1	
JN	05/06/2014	MSS			
DRAWING NUMBER			BCD-16819		

INCH  
MILLIMETER