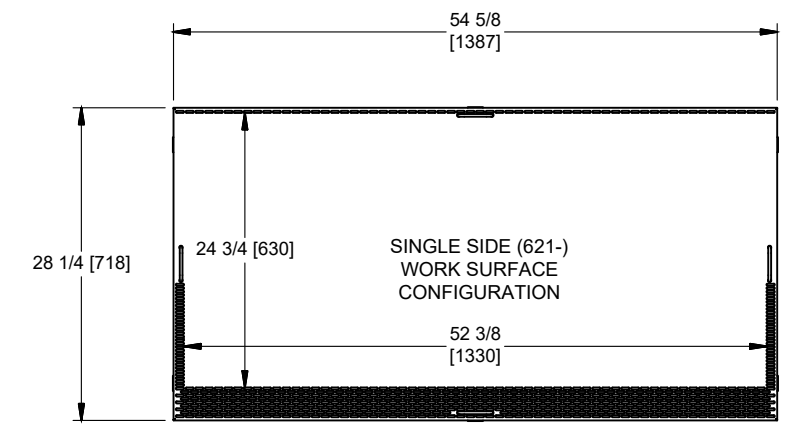
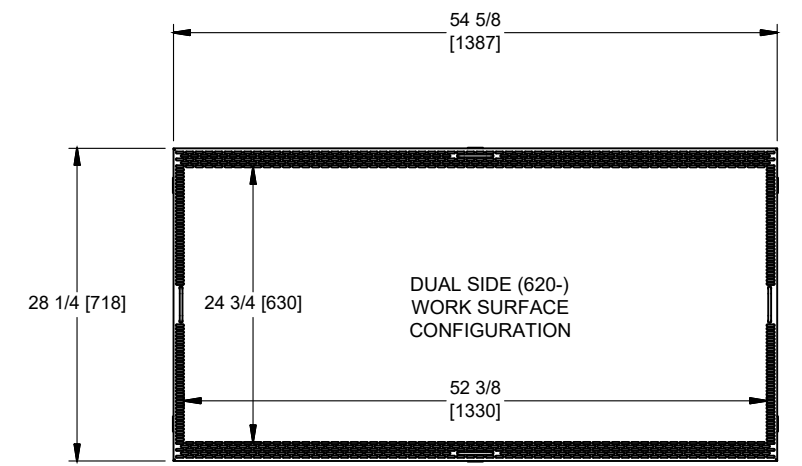
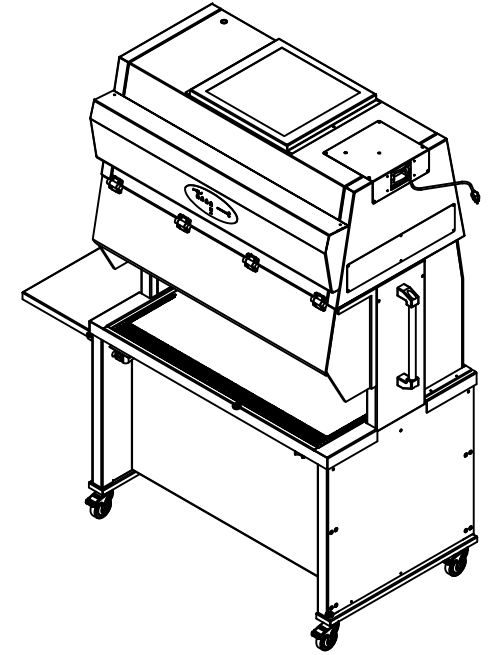
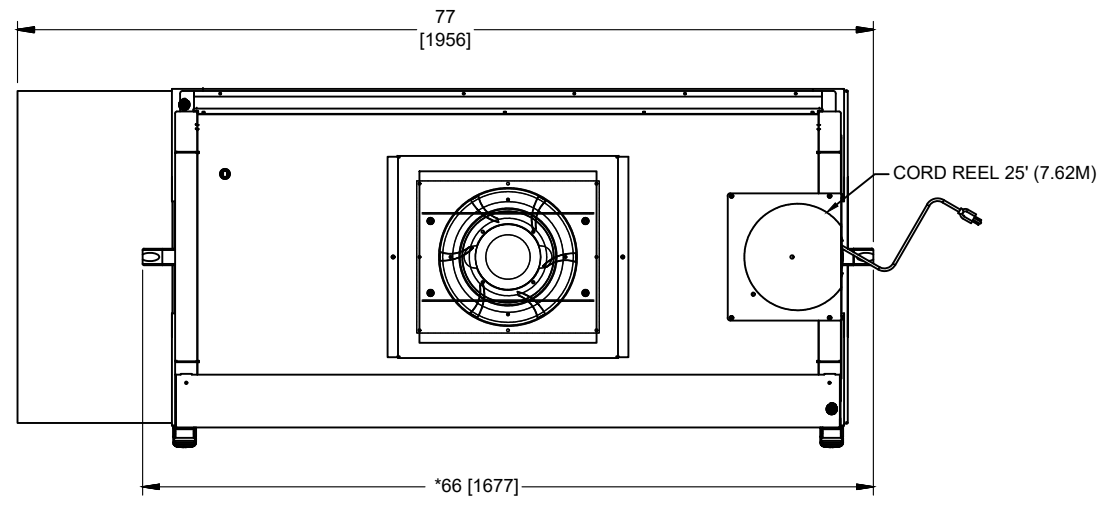
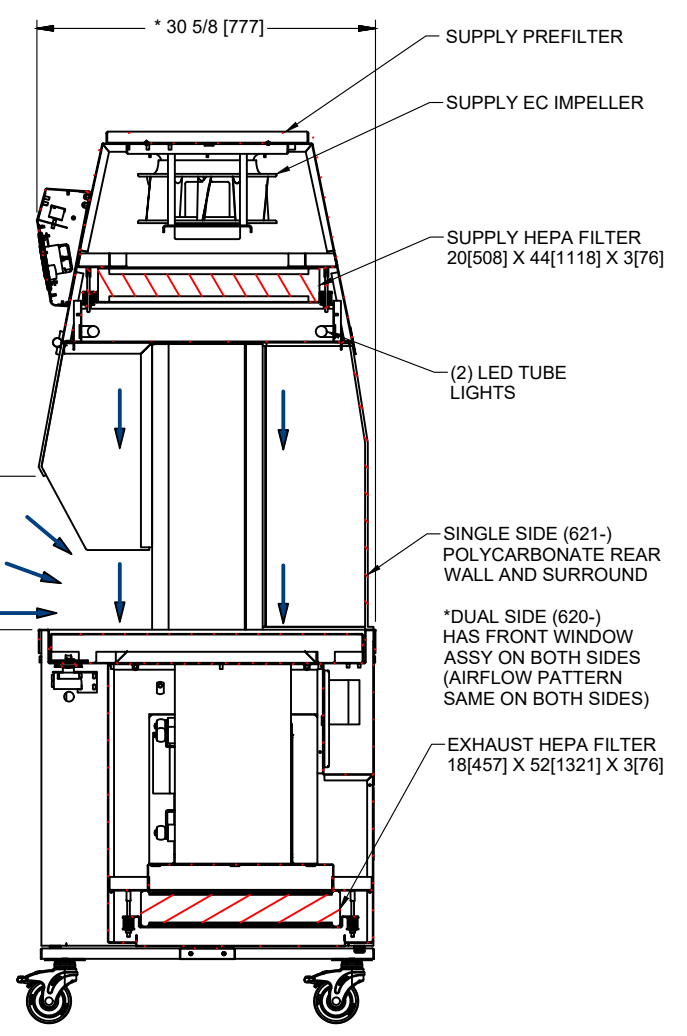
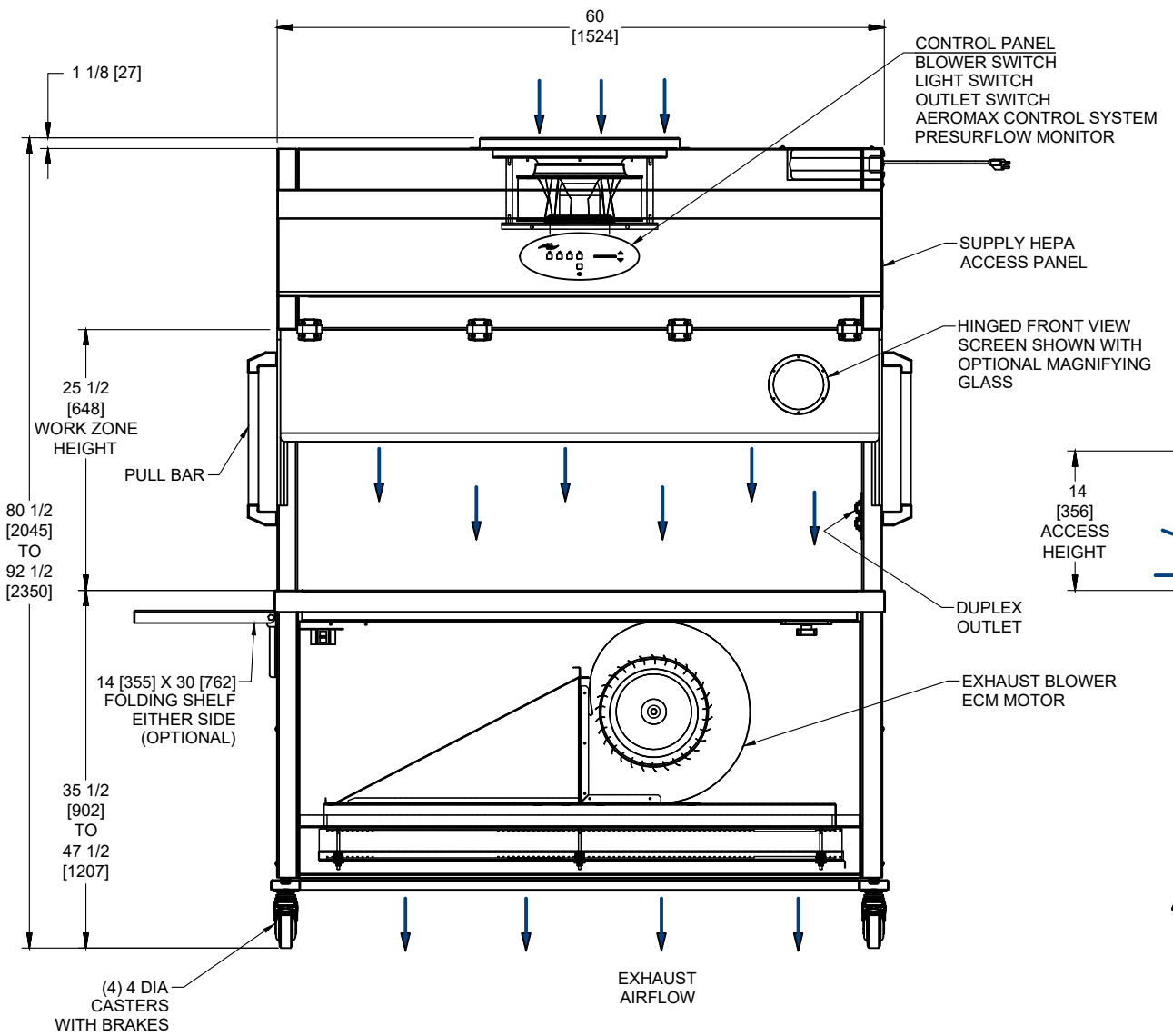


REV	CO	DESCRIPTION	DATE	DFTR	CHKD
F	001593	ADDED NOTE	11/30/2022	RN	DF



NOTE: THIS CABINET CONTAINS ELECTRONIC COMPONENTS THAT MAY CAUSE SOME GROUND FAULT CIRCUIT INTERRUPTER (GFCI) DEVICES TO INADVERTENTLY TRIP DUE TO INHERENT DESIGN DIFFERENCES. USE AT YOUR OWN RISK.

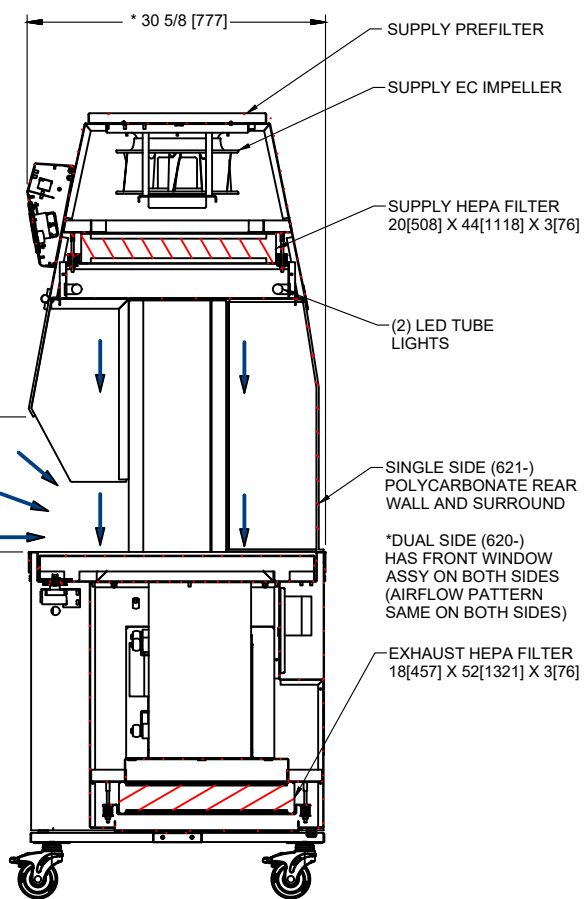
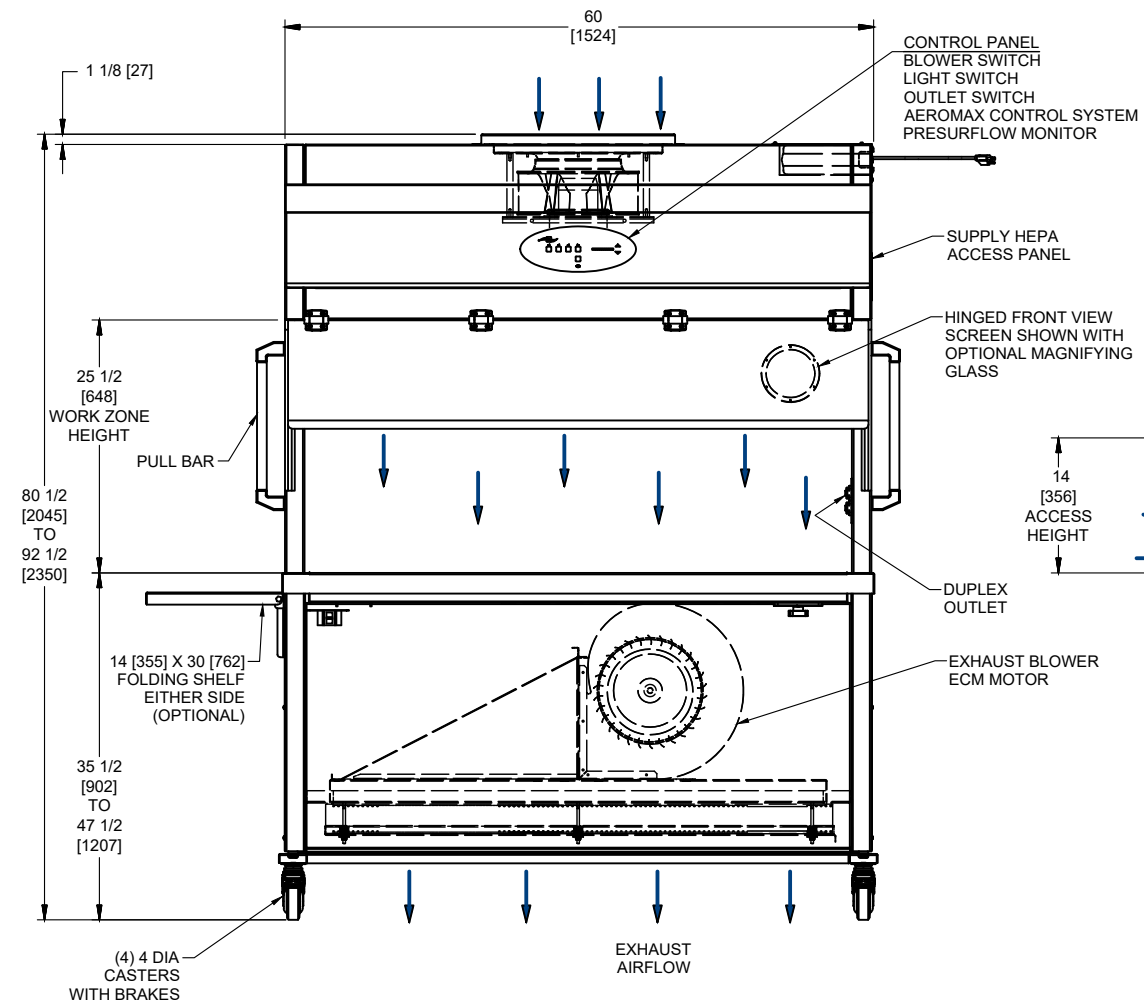
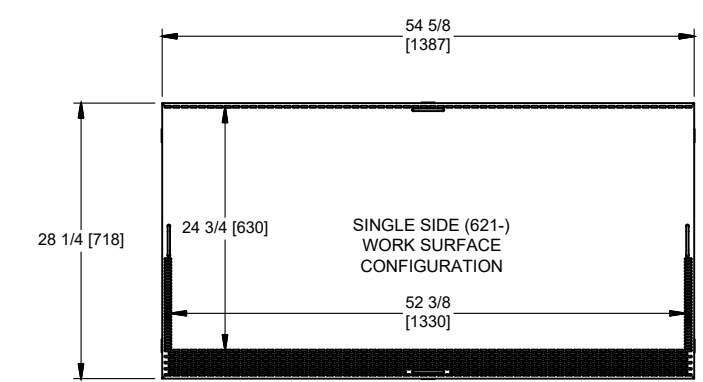
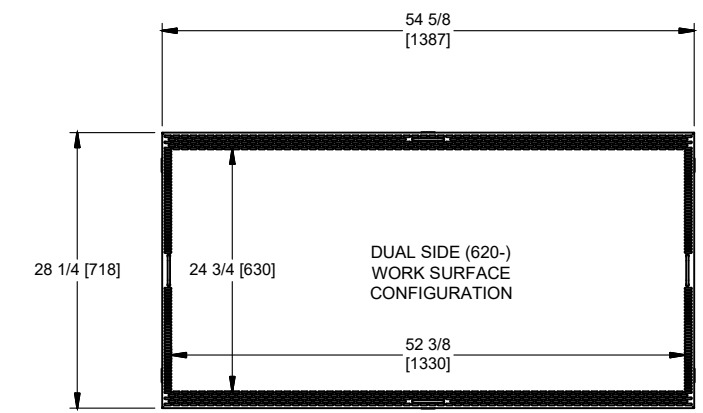
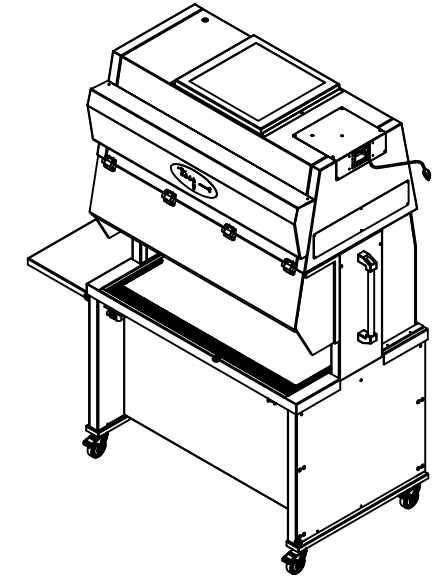
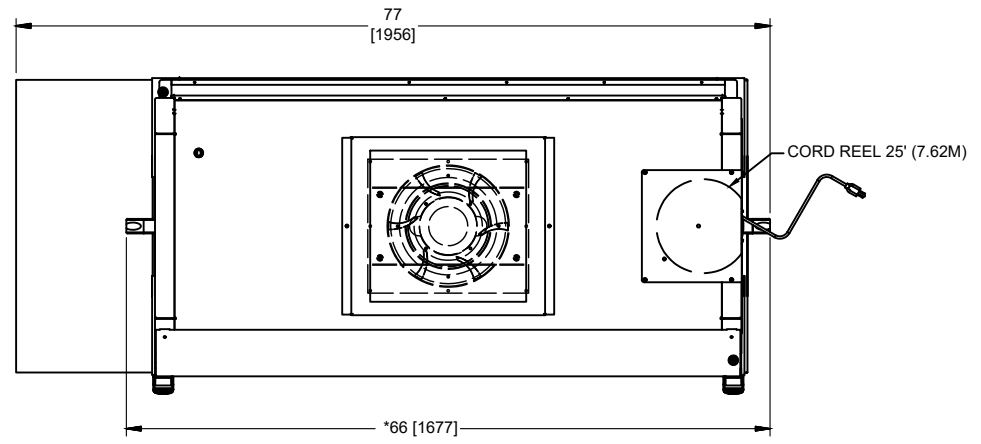
* OVERALL DIMENSIONAL TOLERANCE ±1/4 [6.35]
ALL OTHER DIMENSIONS ±1/8 [3.17]



INCH
MILLIMETER

TITLE NU-620/621-500 SPECIFICATION DRAWING					
DFTR	JN	DATE	05/06/2014	CHKD	MSS
DRAWING NUMBER		BCD-16820			F
SHEET 1 OF 1					

REV	CO	DESCRIPTION	DATE	DFTR	CHKD
F	001593	ADDED NOTE	11/30/2022	RN	DF



NOTE: THIS CABINET CONTAINS ELECTRONIC COMPONENTS THAT MAY CAUSE SOME GROUND FAULT CIRCUIT INTERRUPTER (GFCI) DEVICES TO INADVERTENTLY TRIP DUE TO INHERENT DESIGN DIFFERENCES. USE AT YOUR OWN RISK.

* OVERALL DIMENSIONAL TOLERANCE ±1/4 [6.35]
ALL OTHER DIMENSIONS ±1/8 [3.17]

TITLE NU-620/621-500 SPECIFICATION DRAWING					
DFTR	JN	DATE	05/06/2014	CHKD	MSS
DRAWING NUMBER			BCD-16820		F
SHEET 1 OF 1					

INCH
MILLIMETER