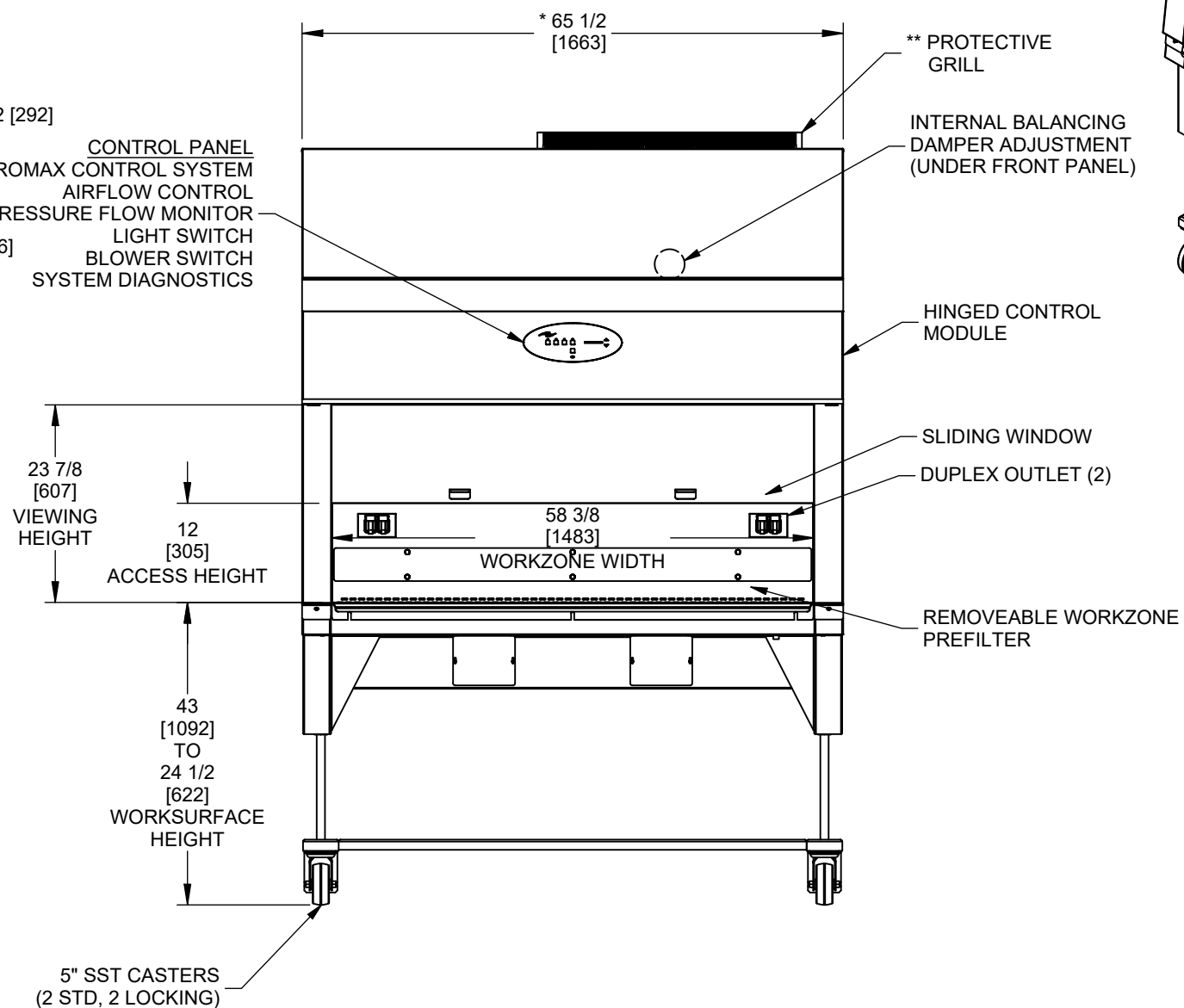
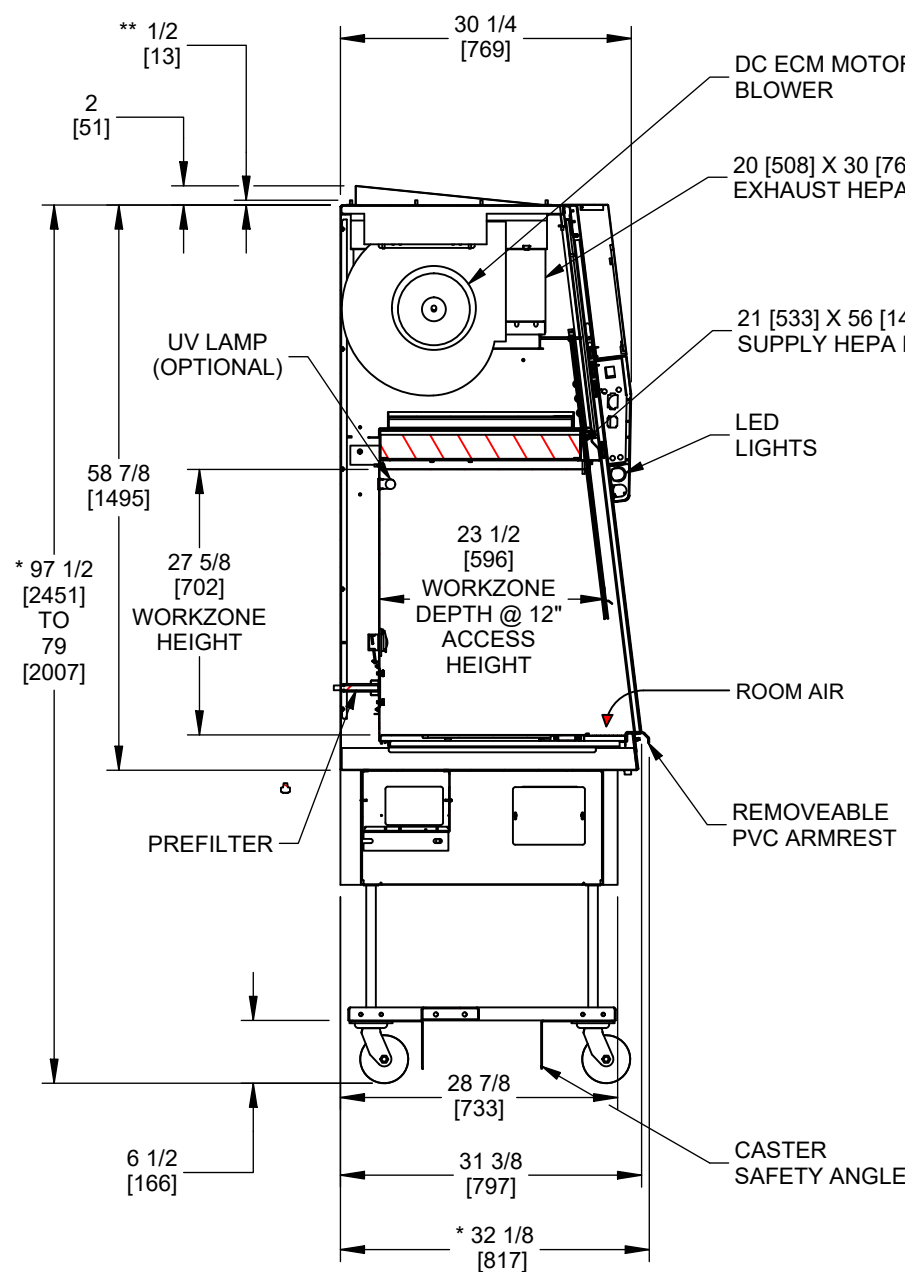
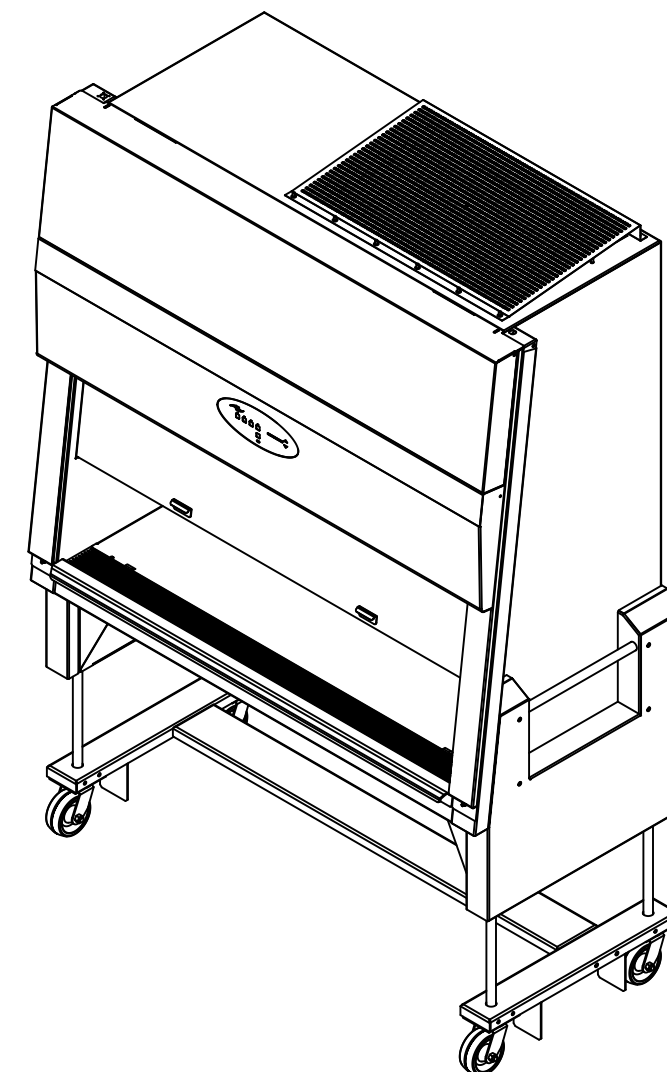
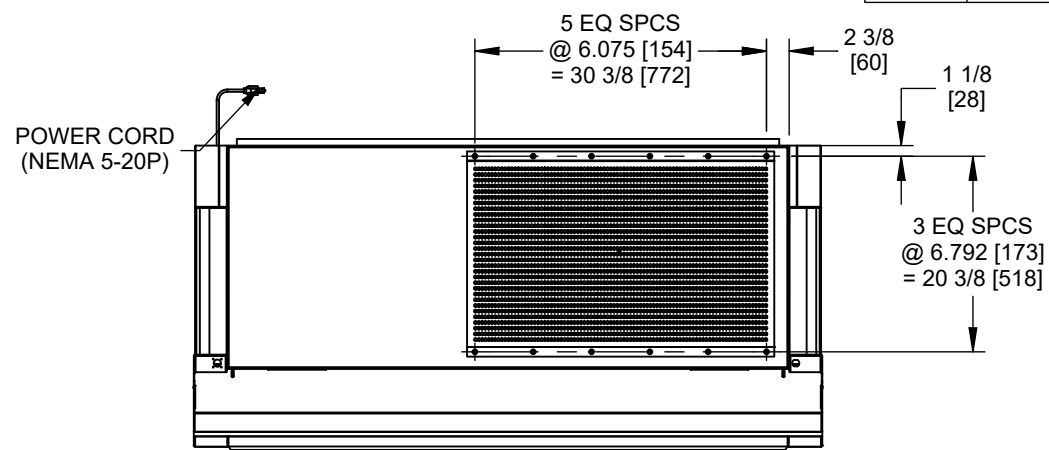


NOTE:
THIS CABINET CONTAINS ELECTRONIC COMPONENTS
THAT MAY CAUSE SOME GROUND FAULT CIRCUIT INTERRUPTER (GFCI)
DEVICES TO INADVERTENTLY TRIP DUE TO INHERENT DESIGN DIFFERENCES.
USE AT YOUR OWN RISK.

REV	ECO	DESCRIPTION	DATE	DFTM	CHKD
C	001603	ADDED NOTE	12/2/2022	JB	DF



*OVERALL DIMENSIONAL TOLERANCE ±1/4 [6.35]
ALL OTHER DIMENSIONS ±1/8 [3.17]

TITLE NU-677-500 CLASS II TYPE A2 (ENERGY SAVER) ANIMAL HANDLING BIOLOGICAL SAFETY CABINET					
DFTM LS	DATE 6/7/2017	CHKD BP	SHEET 1	OF 1	
DRAWING NUMBER	BCD-19123			C	

** ADD 1/2' [76] TO OVERALL HEIGHT WITH PROTECTIVE GRILL REMOVED

INCH
MILLIMETER