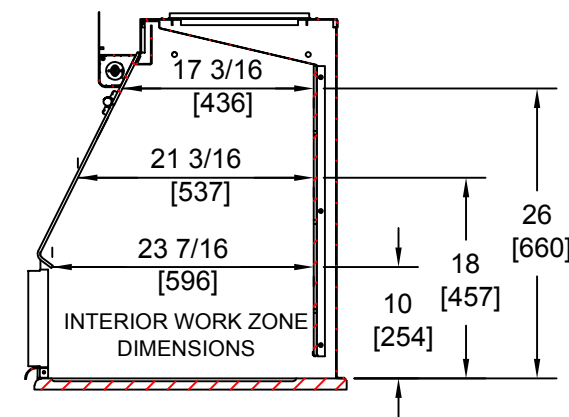
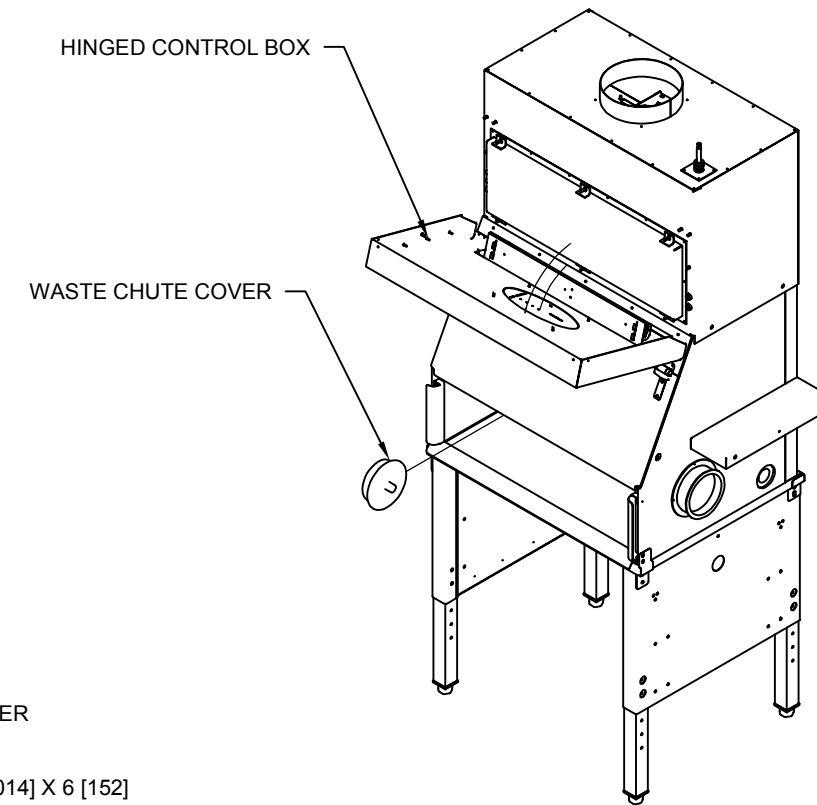
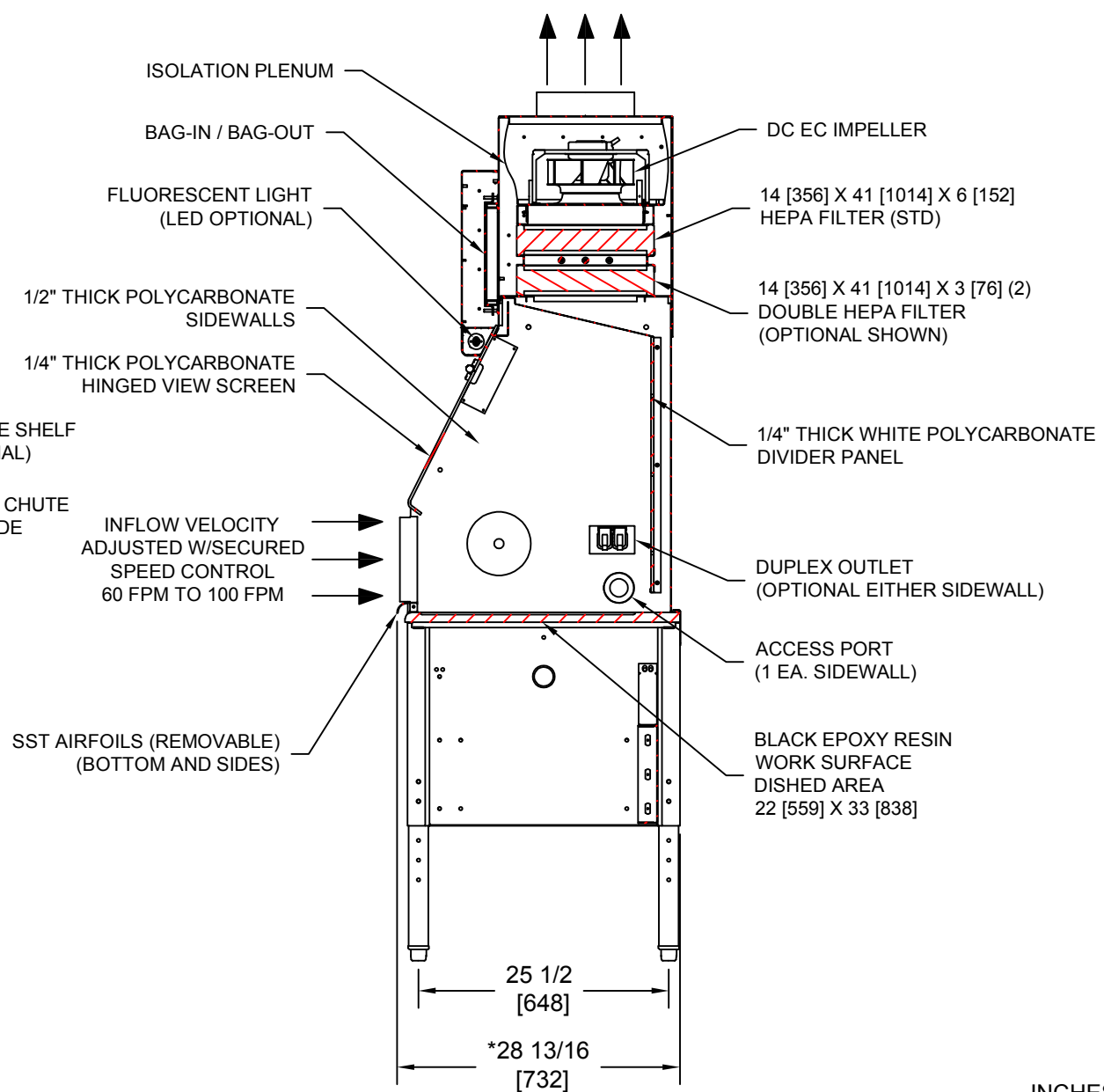
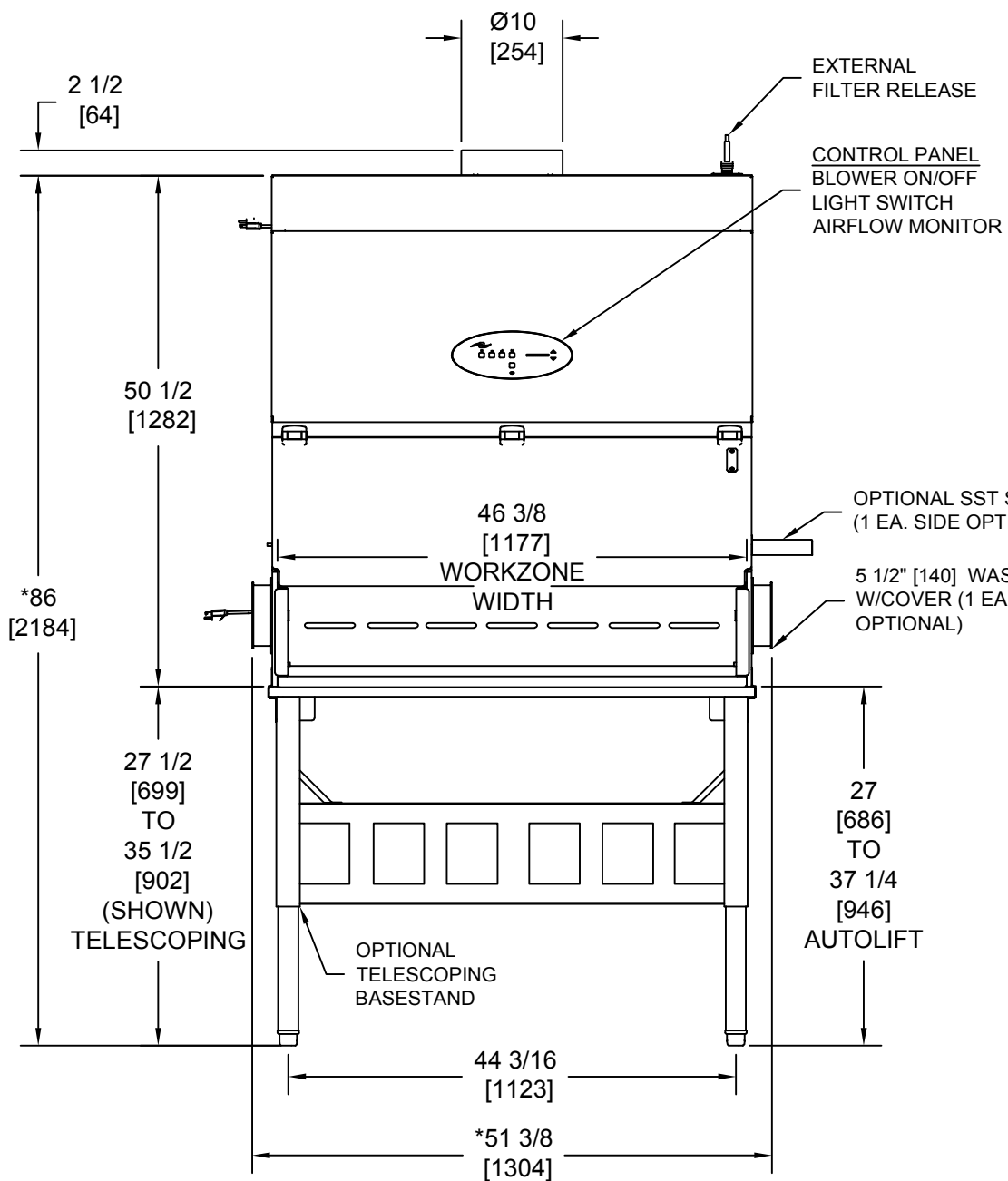
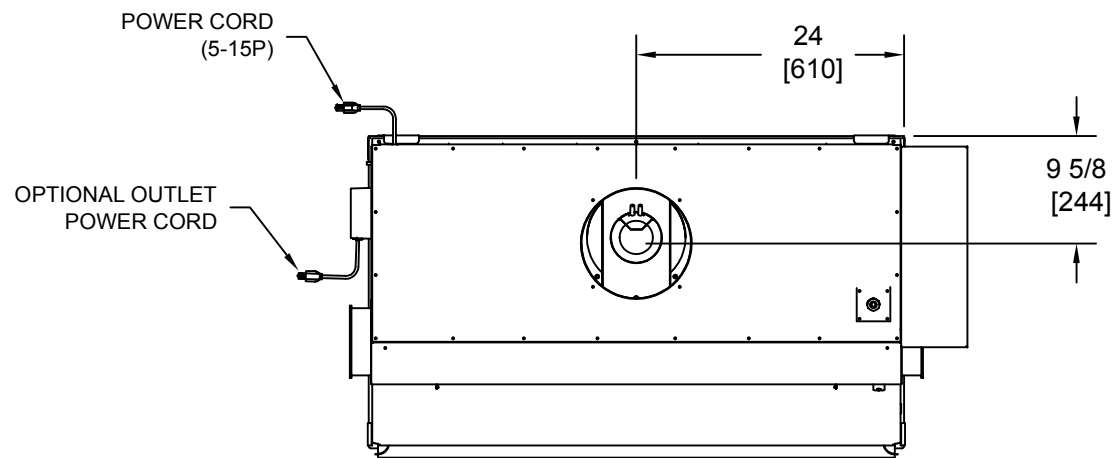


REV	LOG	DESCRIPTION	DATE	BY	CHK
B	13441	UPDATED	7/17/2017	TH	BP



- NOTES:
 1. * OVERALL DIMENSIONAL TOLERANCE $\pm 1/4$ [6.35]
 ALL OTHER DIMENSIONS $\pm 1/8$ [3.17].
 2. ALL ITEMS STANDARD UNLESS OTHERWISE SPECIFIED AS OPTIONAL.

INCHES
MILLIMETER

NU-813-400 SERIES 32 CONTAINMENT VENTILATED ENCLOSURE					
DFTM	LS	11/16/16	CHKD	MSS	SHEET 1 OF 1
DRAWING NUMBER		BCD-18730			B