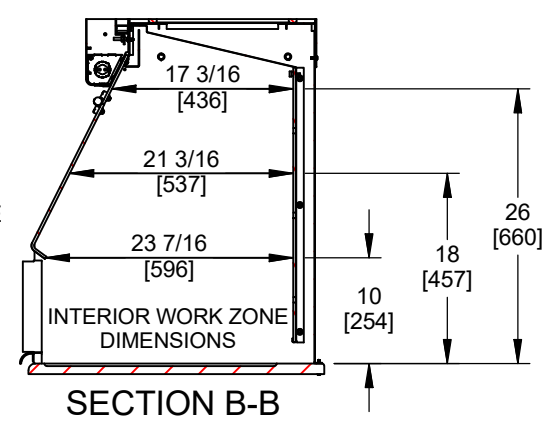
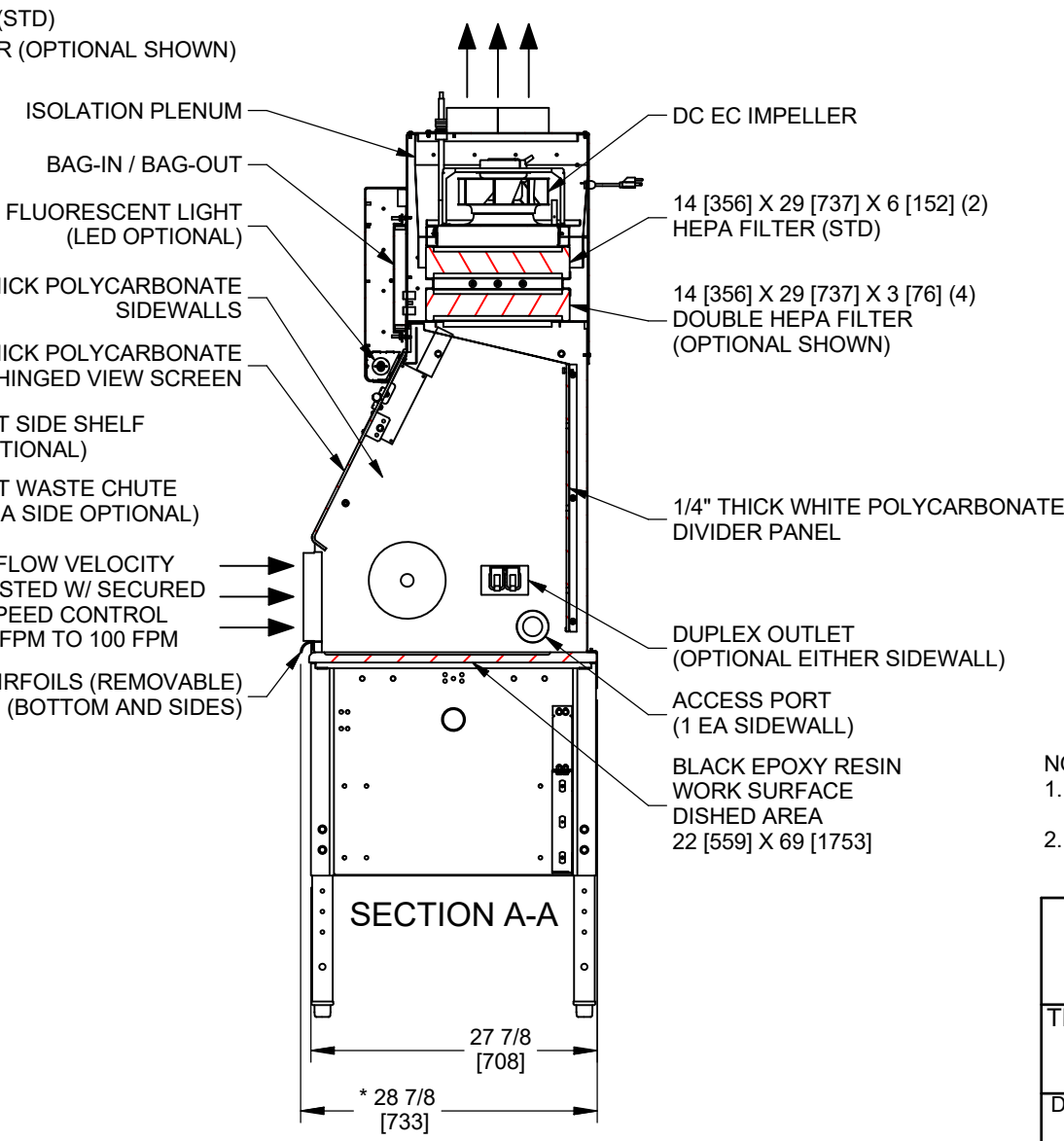
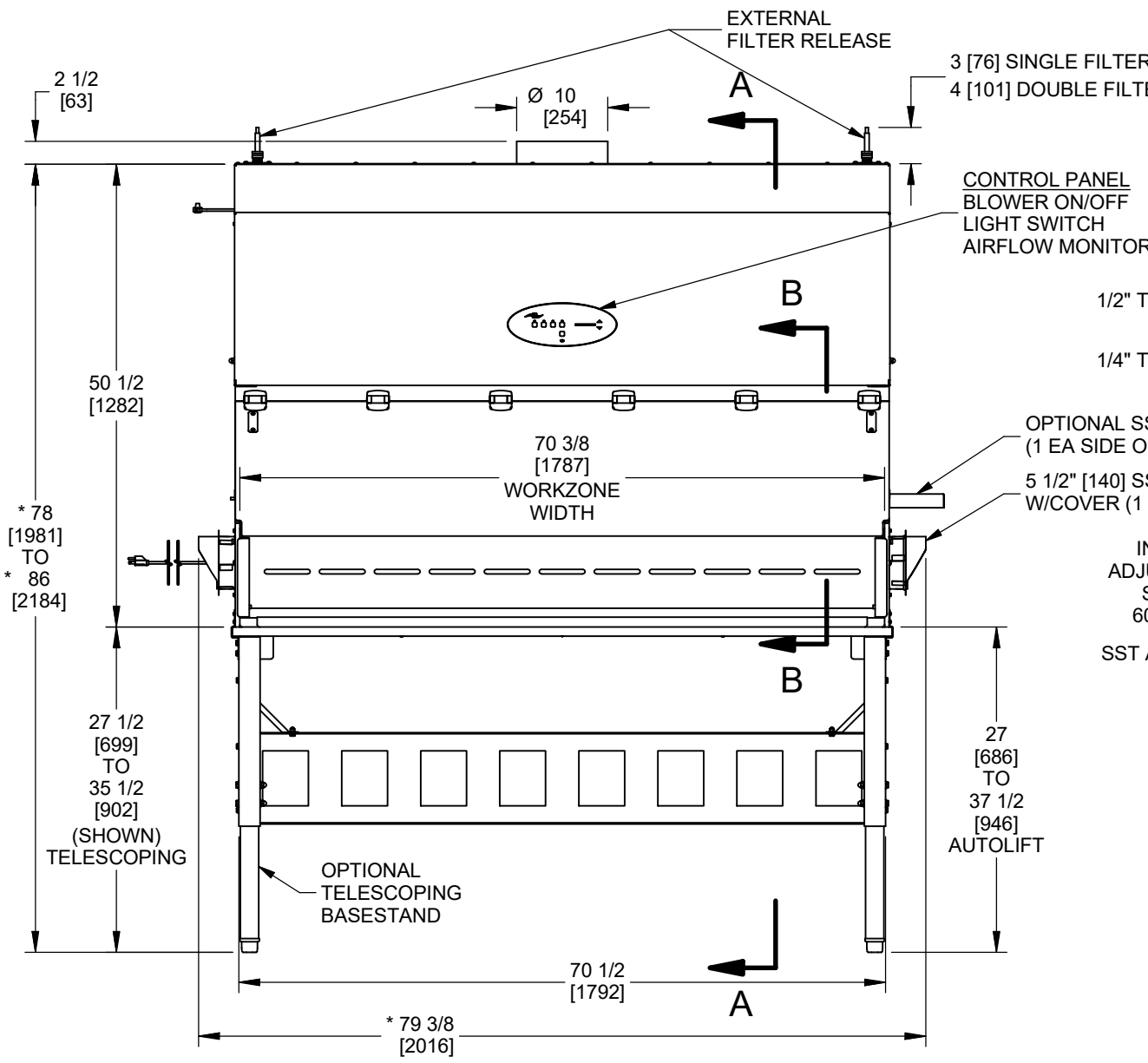
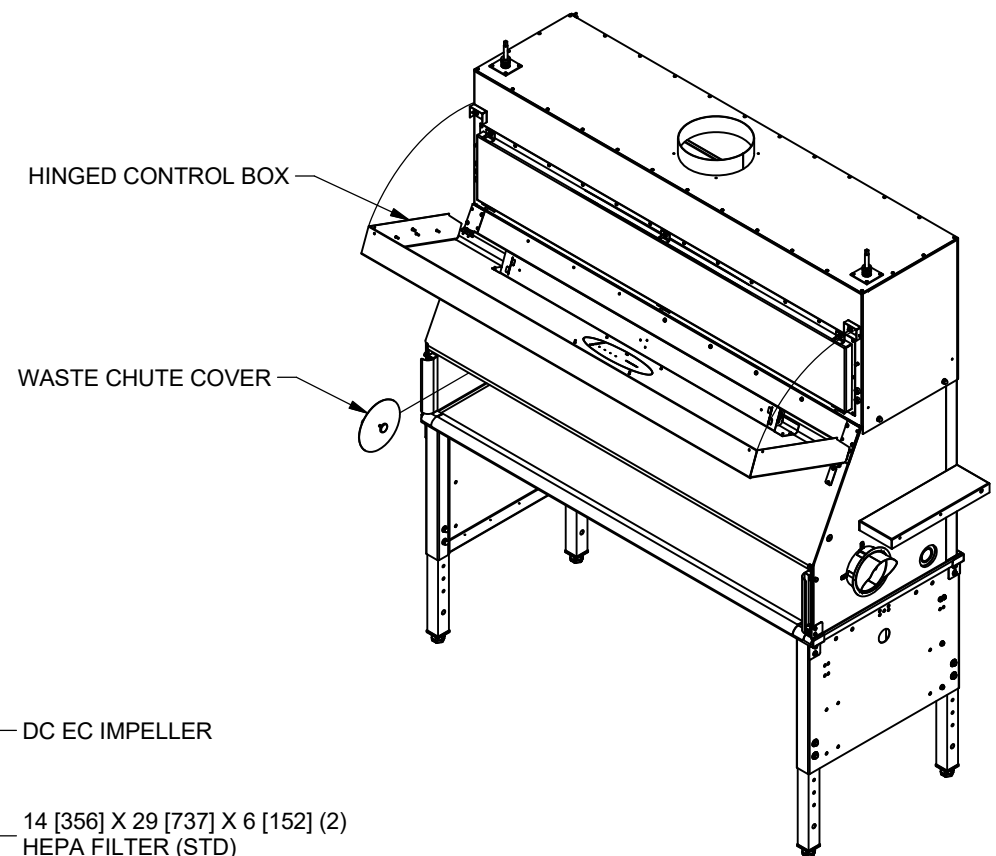
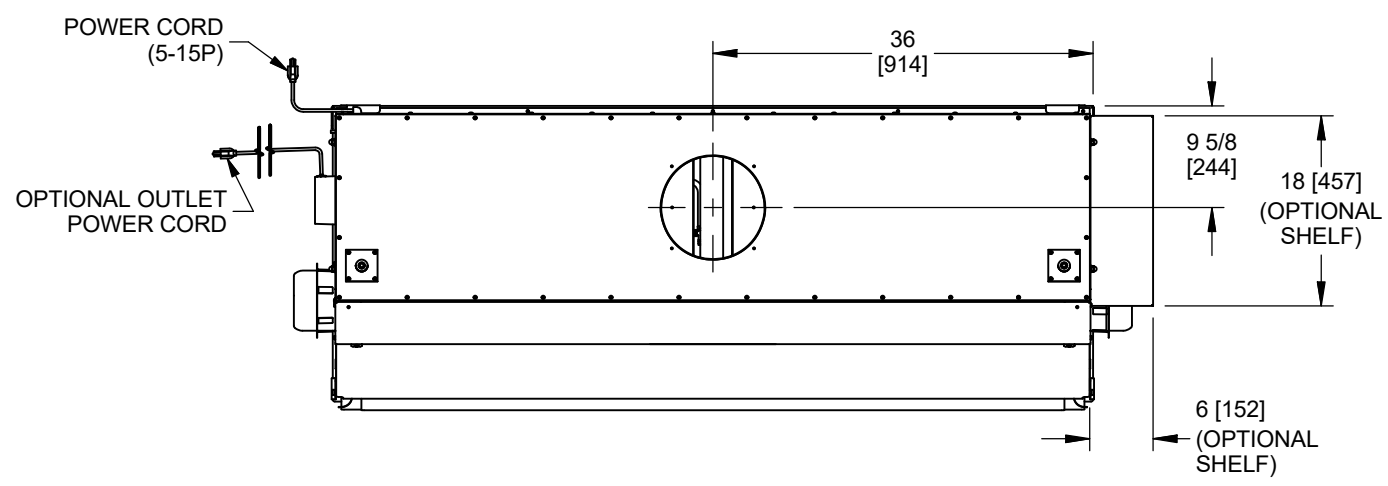


REV	ECO	DESCRIPTION	DATE	DFTM	CHKD
C	13915	UPDATED VIEWS, CORRECTED / ADDED DIMENSIONS	1/7/2019	TH	MSS



- NOTES:
- * OVERALL DIMENSIONAL TOLERANCE $\pm 1/4$ [6.35]
ALL OTHER DIMENSIONS $\pm 1/8$ [3.17]
 - ALL ITEMS STANDARD UNLESS OTHERWISE SPECIFIED AS OPTIONAL.

TITLE NU-813-600 SERIES 33 CONTAINMENT VENTILATED ENCLOSURE					
DFTM LS	DATE 11/16/2016	CHKD MSS	SHEET 1	OF 1	
DRAWING NUMBER			BCD-18731		C

INCHES
MILLIMETER