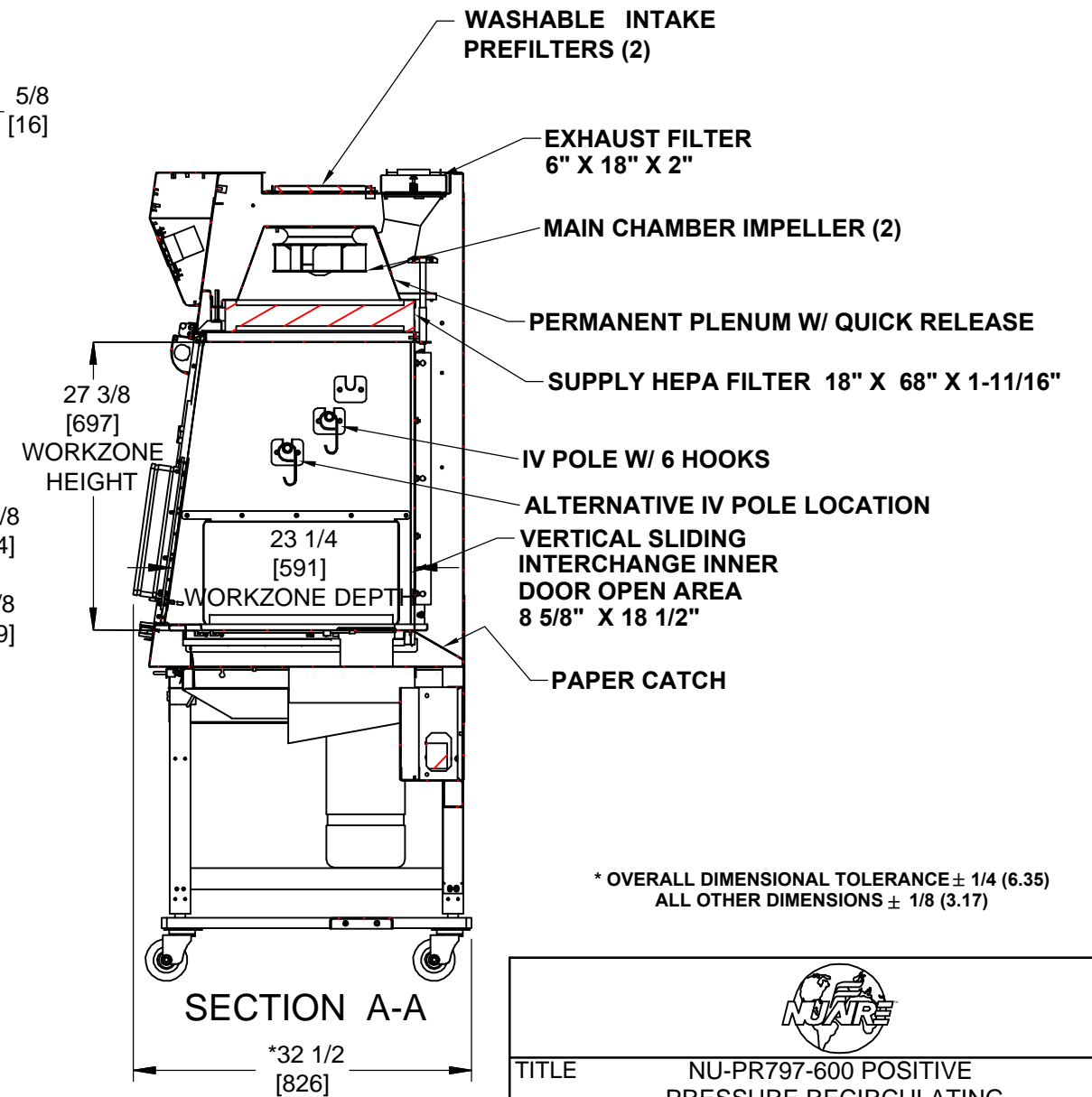
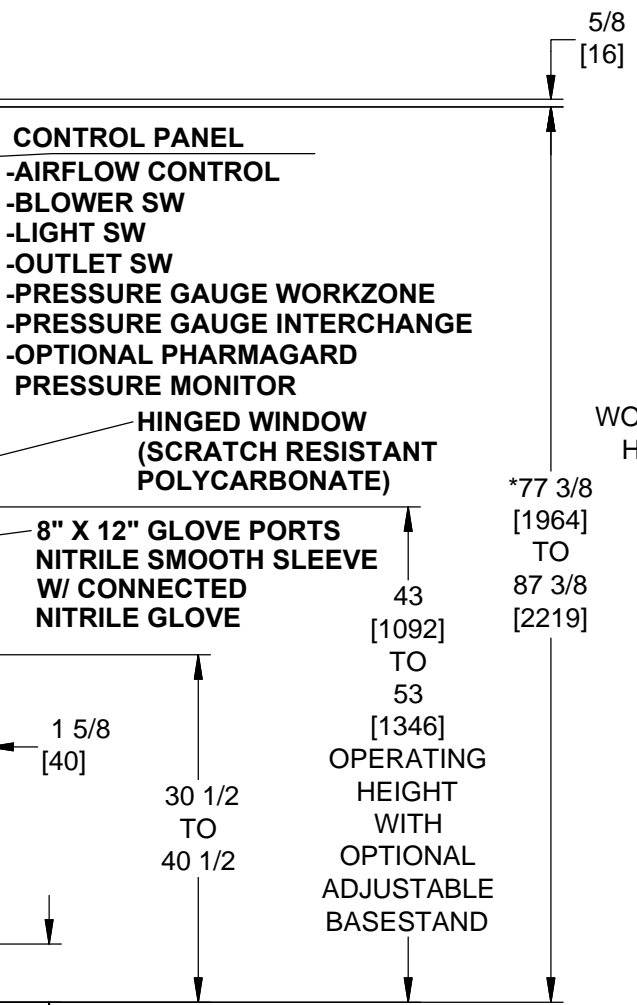
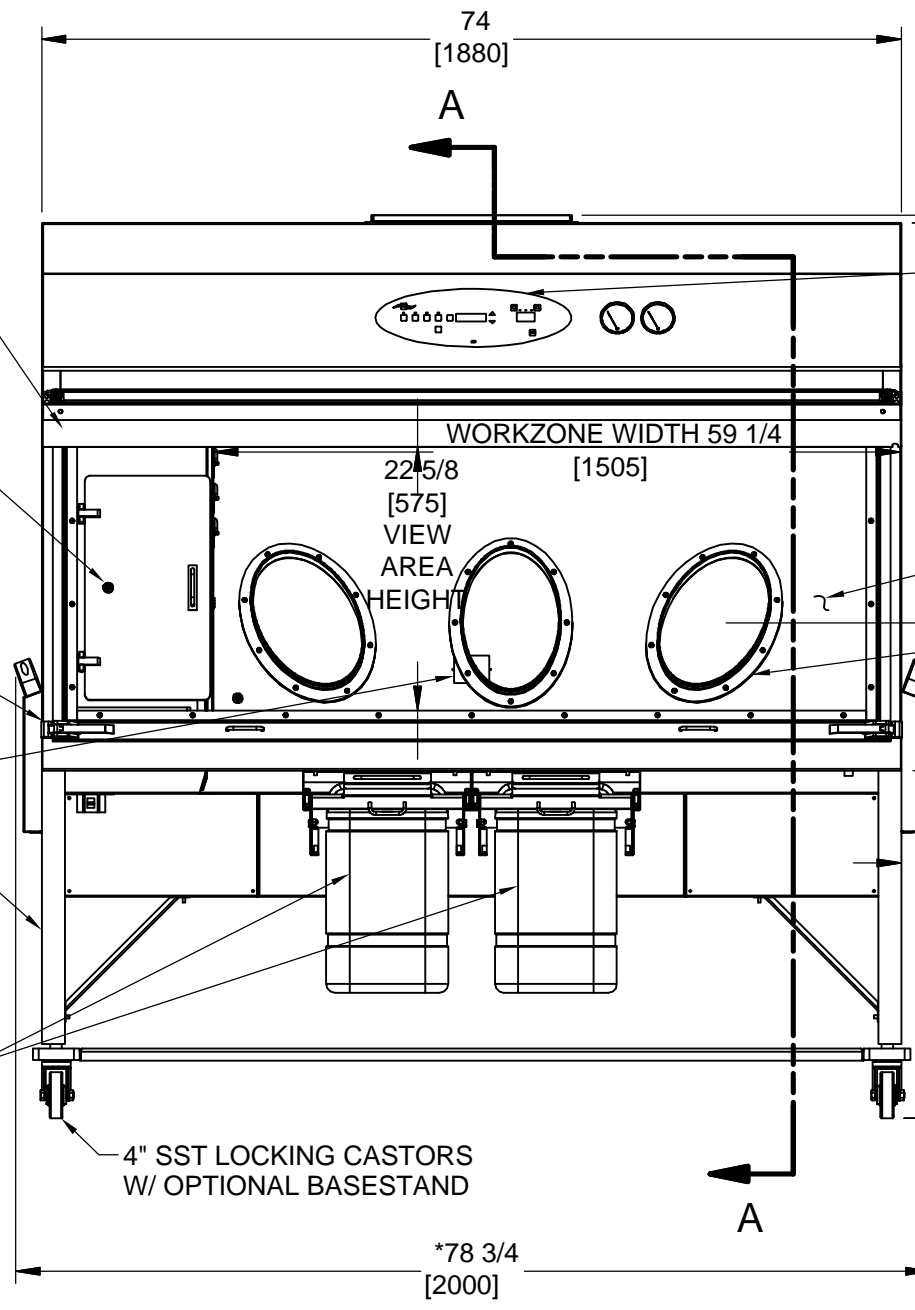
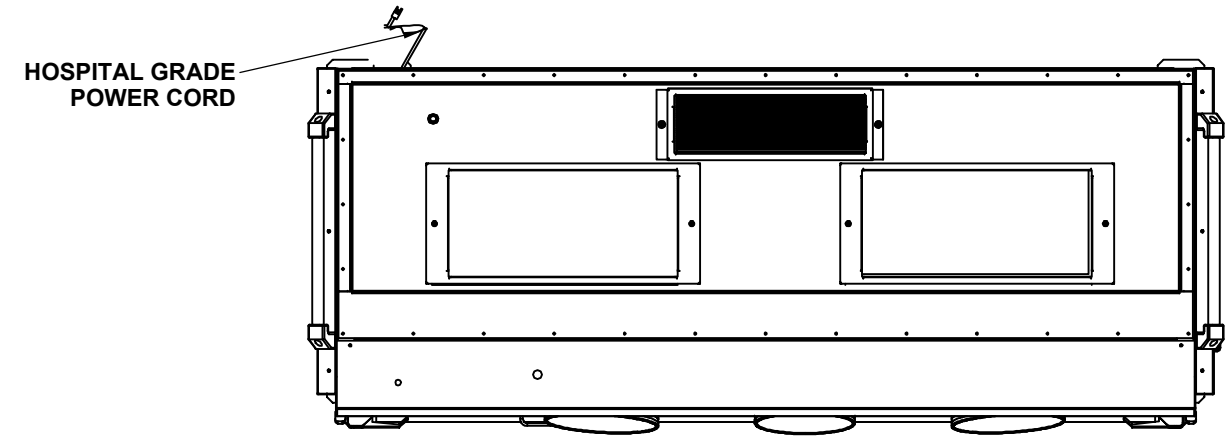


REV	ECO	DESCRIPTION	DATE	DFTM	CHKD
B	12860	UPDATE DIMENSIONS	11/20/15	JK	DSH



* OVERALL DIMENSIONAL TOLERANCE ± 1/4 (6.35)
ALL OTHER DIMENSIONS ± 1/8 (3.17)

TITLE NU-PR797-600 POSITIVE PRESSURE RECIRCULATING STERILE ISOLATOR W/EC MOTOR					
DFTM JK	DATE 9/18/15	CHKD DSH	SHEET 1	OF 1	
DRAWING NUMBER BCD-17834			B		

INCHES
MILLIMETER