

BIG CAGE? LOW CEILING? NO PROBLEM IN A LOW PROFILE BSC

The Lab Gard NU-640 Animal Handling Biosafety Cabinet offers a 14-inch (356 mm) access opening in a low-profile, height-adjustable, durable, mobile design.

8-Foot
Ceiling



17.75" (451mm) Overhead Clearance
Minimum Required Clearance is 6" (152.4mm)

78.25" (1988 mm) Overall Height

14" (356 mm) Access Opening

Eases work with rat cages.



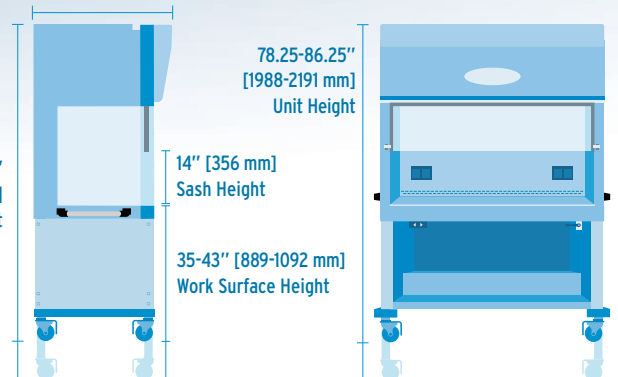
33" [838 mm] Unit Depth

78.25-86.25"
[1988-2191 mm]
Unit Height

14" [356 mm]
Sash Height

35-43" [889-1092 mm]
Work Surface Height

78.25-86.25"
[1988-2191 mm]
Unit Height



Scan for more
information

Motorized Height Adjustability

Even with its shorter profile, the NU-640 still allows each user to adjust the work surface height for their ergonomic needs.



SUPERIOR FIT & ACCESS FOR CONFINED RESEARCH SPACES

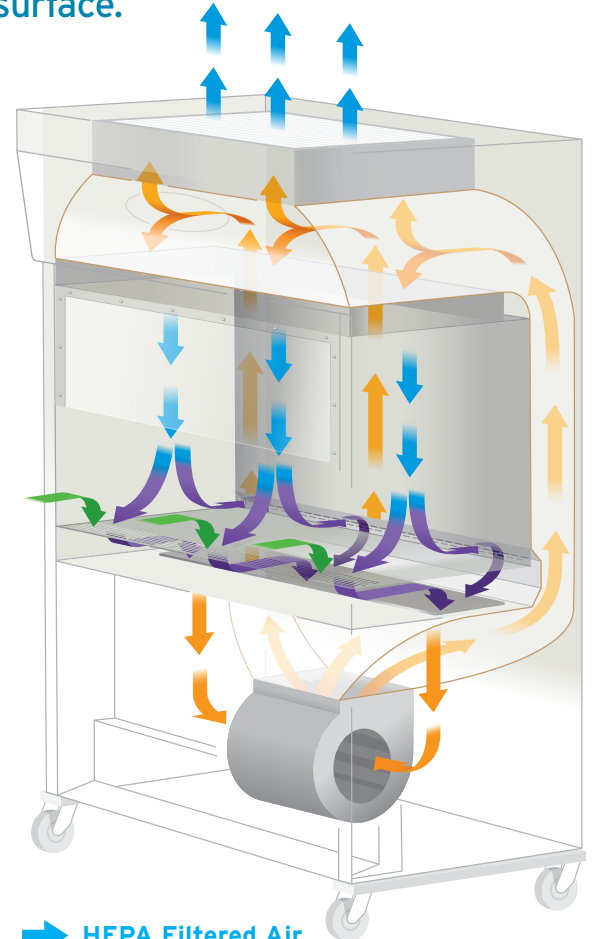
The Lab Gard NU-640 achieves its low-profile in a console design whose motor is located at the bottom of the unit, below the work surface.



23.5" (597mm)
Cleaning / Loading
Height
(Window Open)

14" (356 mm)
Work Access Opening
(Window Closed)

Hinged Window
Allows for easy access for surface cleaning.



- ➔ HEPA Filtered Air
- ➔ Contaminated Work Zone Air
- ➔ Contaminated Room Air
- ➔ Pre-Filtered Air

The NU-640 still offers the core features required from any NuAire animal handling biosafety cabinet: robust inflow for personnel protection, HEPA filtered downflow for the work zone, and HEPA filtered exhaust to protect the vivarium surroundings. The design also retains the user-friendly features your workflow requires, such as motorized height adjustability and castors for easy mobility. However, we've placed both the pre-filter for animal hair and dander as well as the powerful, DC ECM motor under the work surface to help us achieve the shorter profile you require.



Pre-Filter
Below the work surface to catch hair and dander.

