



**NEW! Model NU-99729VFT**  
**(Variable Frequency & Touchscreen)**

**-86°C ULTRA-LOW TEMPERATURE FREEZER**



The NuAire Blizzard -86°C Ultralow Freezer features reliable performance for the storage of stem cells, blood & tissue samples, and vaccine vials. The NU-99729VFT model now features a new touchscreen control center that catalogues ULT inventory, allows user account creation, graphs past freezer performance, and produces visual/audible alarms.

**Storage Capacity:**  
**729 L (25.75 ft<sup>3</sup>)**

**Electrical Configuration:**

100-230 VAC / 50-60 Hz  
15 & 20 amps

**Energy Star Certified**

**Quiet Compressor Motor**

**High Performance or**

**Energy Saving Mode**

**Quadruple Gasketed Door**

**4 Mini Inner Doors**



# Intuitive Menu Navigation



## Inventory Screen

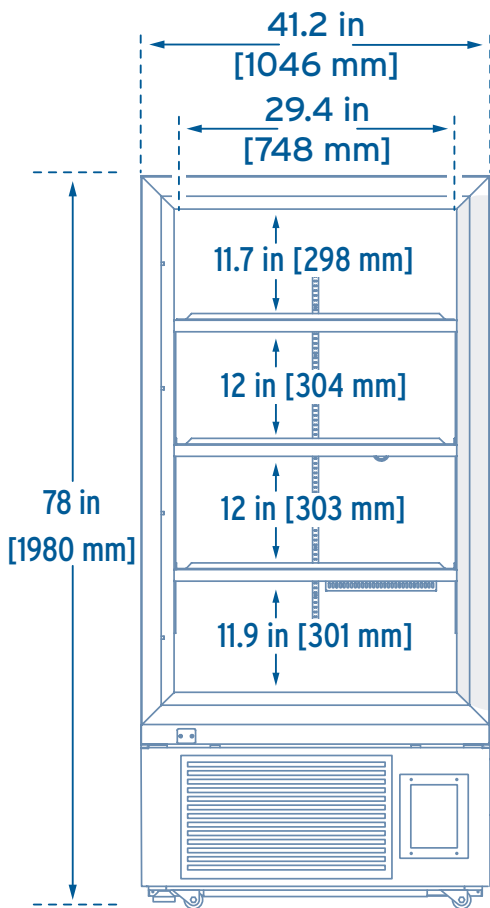
Monitor and track all stored items with intuitive touchscreen controls

## Performance Graph

Track historical temperature data for up to ten years and export via USB

## Notification Records

This model records all freezer activity for up to ten years

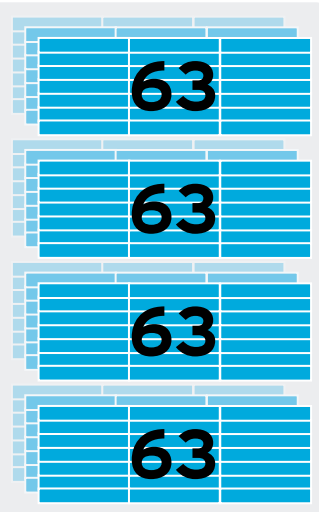


Unit Depth: 39.3 in [998 mm]

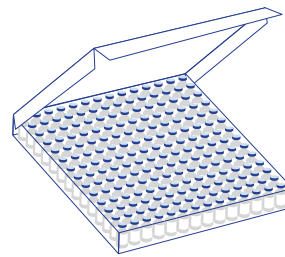
Shelf Depth: 27.6 in [702 mm]

*\*Note: Vaccine storage capacity is calculated by manufacturer's provided measurements, actual capacity may vary.*

## CoVid-19 Vaccine Boxes



**Total:**  
**252\***  
49,140 Vials



**1 Box = 195 Vials**

Box Width: 9" [229 mm]

Box Depth: 9" [229 mm]

Box Height: 1.6" [41 mm]



**1 Vial = 5 Doses**

*\*Note: 2 Doses are needed to inoculate 1 person*

## Power Cord Options



220V NEMA 6-15P (15A)



115V NEMA 5-20P (20A)



125V US (15A)



125V US (20A)



250V EU Type C (16A)



240V UK Type G (16A)

**5** **WARRANTY**  
PARTS + LABOR  
YEAR United States & Canada

**6** **WARRANTY**  
PARTS  
YEAR Worldwide

More Information  
or Request a  
Quote at



[www2.nuaire.com/blizzard-ultra-low-freezer-nu-99729J](http://www2.nuaire.com/blizzard-ultra-low-freezer-nu-99729J)

Model	Configuration	Storage Capacity	Interior Dimensions (W x D x H)	Exterior Dimensions (W x D x H)	Temperature Range	Net Weight	Electrical Configurations
NU-99729VFT	Upright	25.75 cu ft [729 L]	30.1 x 28.2 x 51.6 in [766 x 716 x 1310 mm]	41.2 x 39.3 x 78 in [1046 x 998 x 1980 mm]	-40°C to -86°C	770 lbs [349 kg]	100-230 V 50/60 Hz 15/20 amp